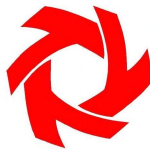


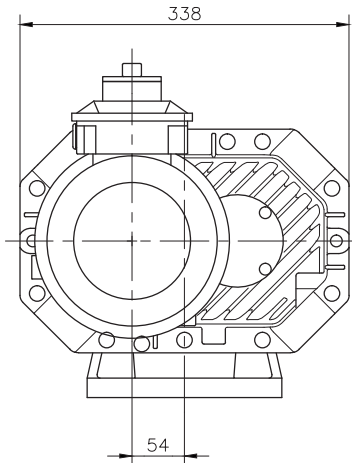
BOOSTER VUOTO 73-103 HV
Vacuum Booster 73-103 HV



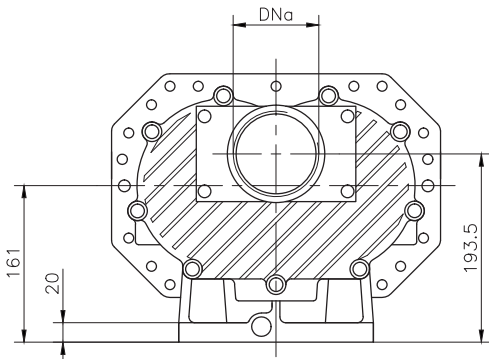
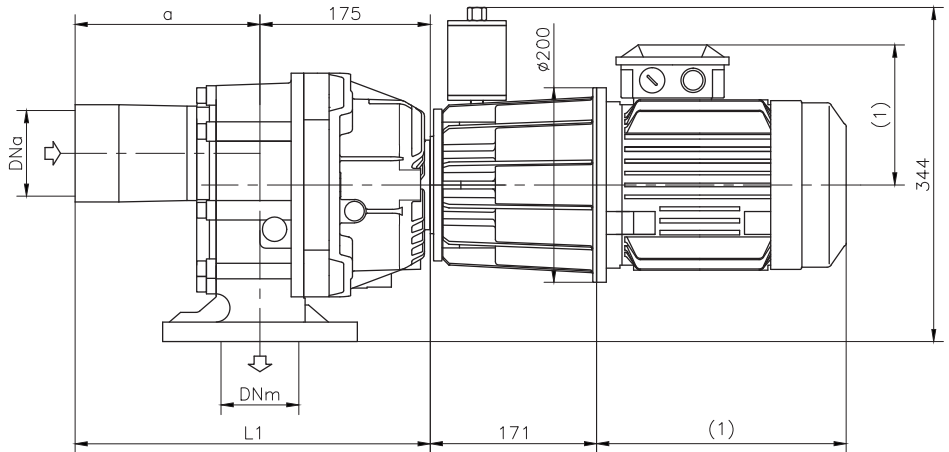
TRAVAINI
PUMPS USA

Liquid Ring & Rotary Vane Vacuum Pumps and Systems

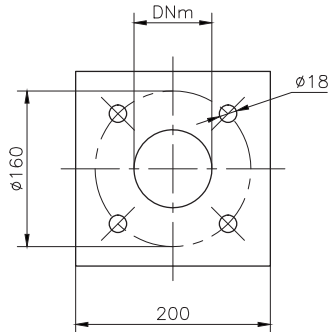
200 Newsome Drive
 Yorktown, VA 23693
 1-800-535-4243
 www.Travaini.com



Drive end view / Vista lato comando



Non-drive end view / Vista lato opposto comando



Model Modello	DNa	DNm	a	L1	Booster	By-pass	Motor/Motore (1)		
					kg	kg	kW	Frame	kg
73	G 3	80/3"	160	335	77	18	1,5	90	13
103	G 3	80/3"	190	365	84	18	2,2	90	16

(1) Not certified dimensions and weights.
 They may vary according to installed motor manufacturer
 (1) Dimensioni e pesi in funzione della marca del motore installato.