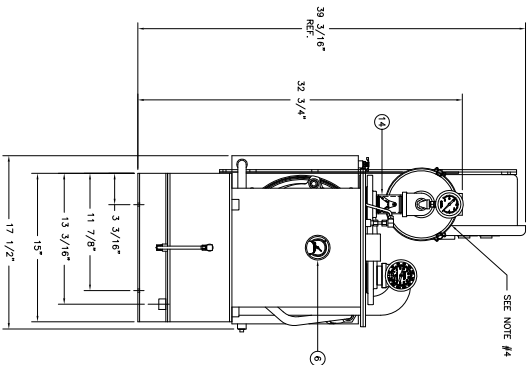
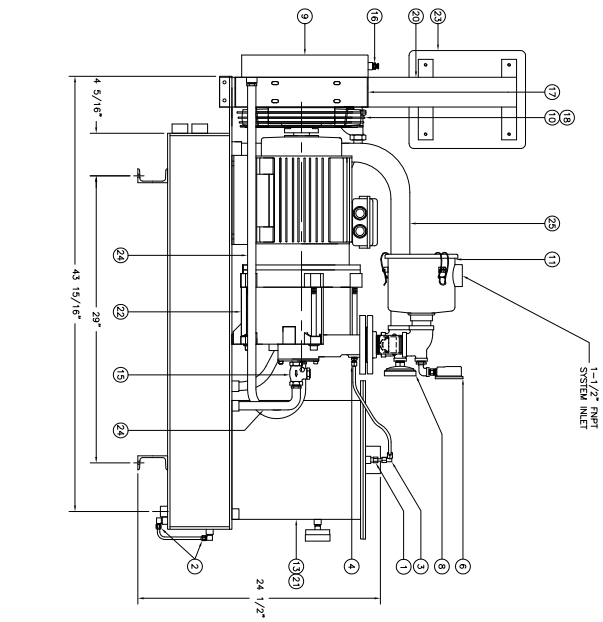
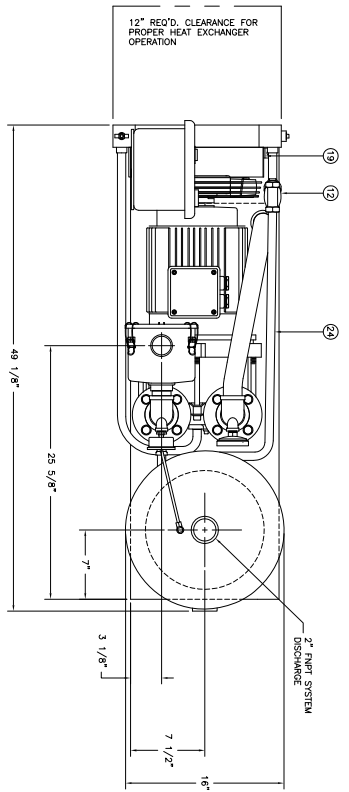


# GENERAL ARRANGEMENT ONLY



BILL OF MATERIALS		
ITEM	QTY	DESCRIPTION
1	1	FITTING, 1/4" MNPT X 1/4" TUB
2	2	FITTING, 1/4" MNPT X 1/4" 90° ELBOW
3	1	FITTING 1/4" TUBE X 1/4" TUBE 90° ELBOW BRG
4	1	FITTING 1/4" MNPT X 1/4" TUBE STRT BRG
5	2	GASKET 3-1/2" X 1-5/8"
6	1	GALVE WVC 1/4" NPT 0-30 HgV BRASS
7	1	GALVE PRESSURE 0-15 PSIG BRG
8	1	GALVE TEMP 20/240°F--10/110°C 3" DIA
9	1	HEAT EXCHANGER 17X12" 1 PASS AIR/LIO
10	1	FAN 12" OD 10 BLADE COW/PULL W/40MM BUSH
11	1	FILTER, INLET 1-1/2" THD 80 SCFM FOL/VESTER
12	1	STRAINER Y 1/2" THD CI
13	1	SEPARATOR ELEMENT OUTSIDE IN
14	1	VALVE CHECK HINGE 1-1/2" THD CS/BR
15	1	VALVE, CHK SWNG 1/2" THD BRASS
16	1	VALVE PETCOCK 1/4" MNPT BRG
17	1	SHROUD ASSY FOR 12" OD FAN LRS
18	1	WIRE GUARD FOR 12" OD FAN
19	1	BACKET HEAT EXCHANGER
20	1	BACKET HEAT EXCHANGER/SS BOX 460V
21	1	OIL SEPARATOR/BASE
22	1	VACUUM PUMP LR 1 STAGE MECH SEAL
23	1	REAROTE START STOP BOX 2400C 460V
24	3	RUBBER HOSE 1/2" W/ FITTINGS
25	1	RUBBER HOSE 1-1/2" W/ FITTINGS

- SYSTEM NOTES:
- 1.) LOCATE AND SECURE SYSTEM ON A FLAT LEVEL SURFACE.
  - 2.) PREP AND USE UNFINISHED POINTS WITH SQUARE HEAD NPT
  - 3.) TIGHTEN FAN SCREW TO 5 FT/LBS.
  - 4.) REQUIRED CLEARANCE TO SERVICE ELEMENT IS 6".

THIS PRINT IS PROPERTY OF TRAWANI PUMPS USA, INC. AND MAY NOT BE GIVEN TO ANY OTHER CONCERN WITHOUT THE CONSENT OF TRAWANI PUMPS USA, INC.

**TOLERANCES**

DECIMAL ± .0025"  
 FRACTIONAL ± 1/32"  
 ANGLE ± 0° 30' 00"  
 UNLESS OTHERWISE SPECIFIED IN DRAWING

VARIOUS

DATE: 12/11/08  
 SCALE: 1=6

DESCRIPTION: GENERAL ARRANGEMENT

MODEL NO.:  
 DWG NO.:

REV: \_\_\_\_\_

TRAWANI PUMPS USA  
 Liquid Ring & Steam Vapor Vacuum Pumping and Systems