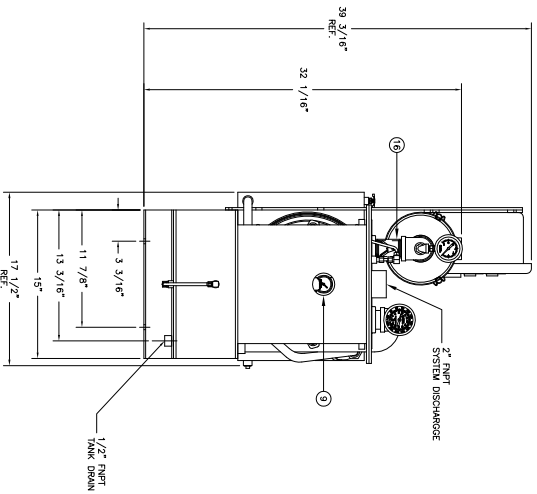
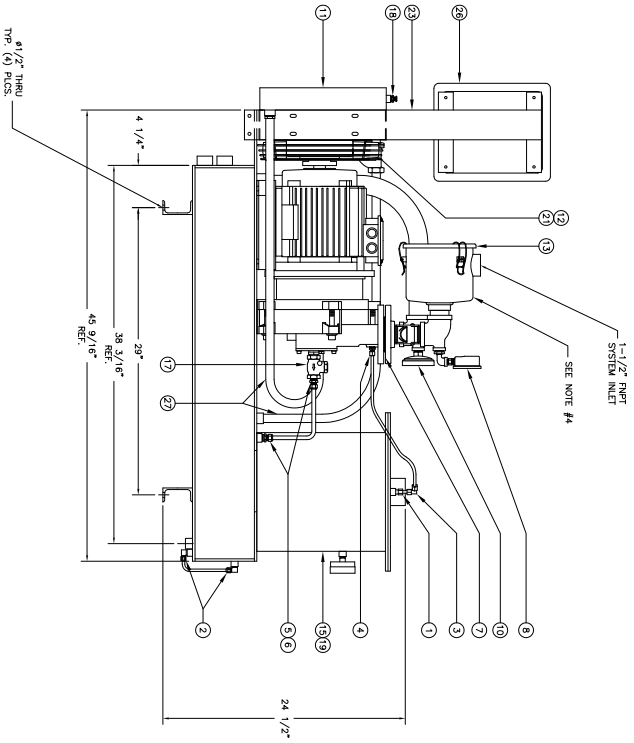


- SYSTEM NOTES
- 1) LOCATE AND SECURE SYSTEM ON A FLAT LEVEL SURFACE.
  - 2) PIPE AND UNISED PORTS WITH SQUARE HEAD NPT
  - 3) TIGHTEN FAN SCREW TO 5 FT/LBS.
  - 4) REQUIRED CLEARANCE TO SERVICE ELEMENT IS 6".



**BILL OF MATERIALS**

ITEM	QTY	DESCRIPTION
1	1	FITTING, 1/4" MNPT X 1/4" TUBE
2	2	FITTING, 1/4" MNPT X 1/4" 90° ELBOW
3	1	FITTING 1/4" TUBE X 1/4" TUBE 90° ELBOW BRG
4	1	FITTING 1/4" MNPT X 1/4" TUBE STRT BRG
5	2	FITTING 3/8" MNPT X 3/8" TUBE COMP. BRG
6	2	INSERT FOR 3/8" PLASTIC TUBE
7	2	GASKET 3-1/2" X 1-5/8"
8	1	GAUGE VAC 1/4" NPT 0-30 HG/V BRASS
9	1	GAUGE PRESSURE 0-15 PSIG BRG
10	1	GAUGE TEMP 20/240°F --10/110°C 3" DIAL
11	1	HEAT EXCHANGER 17X12" 1 PASS AIR/LIO
12	1	FAN 12" OD 10 BLADE COW/PULL W/28MM BUSH
13	1	FILTER, INLET 1-1/2" THD 80 SCHW POLY
14	1	STRAINER 1/2" THD CI
15	1	SEPARATOR ELEMENT OUTSIDE IN
16	1	VALVE CHECK HINGE 1-1/2" THD CS/B
17	1	VALVE, CHECK SWNG 3/8" THD BRASS
18	1	VALVE PETCOCK 1/4" MNPT BRG
19	1	OIL SEPARATOR/BASE
20	1	SHROUD ASSY FOR 12" OD FAN LRS
21	1	WIRE GUARD FOR 12" OD FAN
22	1	BRACKET HEAT EXCHANGER
23	1	BRACKET HEAT EXCHANGER SS BOX
24	6	OIL DIVALUBE GALLON (NOT SHOWN)
25	1	VACUUM PUMP LR 1 STAGE MESH SEAL
26	1	REMOTE START/STOP BOX
27	1	RUBBER HOSE 5/8" ID W/ FITTINGS
28	1	RUBBER HOSE 2" ID W/ FITTINGS

REV	DESCRIPTION	DATE	APPR
REVISIONS			

THIS PRINT IS PROPERTY OF TRAWANI PUMPS USA, INC. AND MAY NOT BE GIVEN TO ANY OTHER CONCERN WITHOUT THE CONSENT OF TRAWANI PUMPS USA, INC.

**TOLERANCES**

DECIMAL 3. 0025"  
 FRACTIONAL 3/16"  
 ANGLE 3 0' 30" 00"  
 UNLESS OTHERWISE SPECIFIED IN DRAWING

PART NO. VARIOUS  
 DIMS BR: DATE  
 CHK BR: DATE  
 APPROVED BR: SCALE: 1 = 6



DESCRIPTION: EVO 5 HP AIR COOLED VACUUM SYSTEM WITH REMOTE START/STOP BOX

MODEL NO. N/A

DWG NO. REV