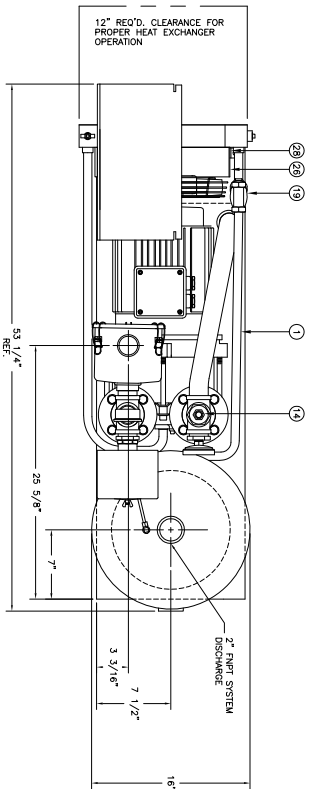
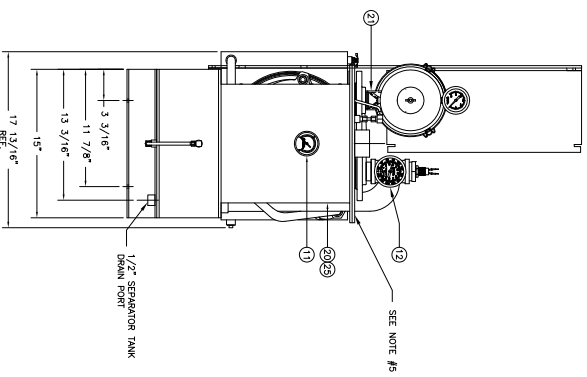
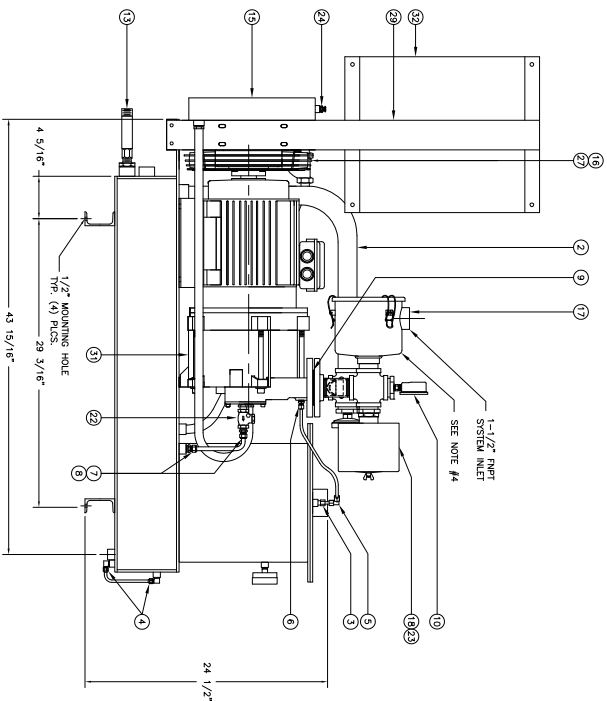


GENERAL ARRANGEMENT ONLY



- SYSTEM NOTES:
- 1) LOCATE AND SECURE SYSTEM ON A FLAT LEVEL SURFACE.
 - 2) FUSE ANY AWAYED PORTS WITH SQUARE HEAD.
 - 3) TIGHTEN FAN SCREW TO 5 FT/LBS.
 - 4) REQUIRED CLEARANCE TO SERVICE ELEMENT IS 6\".
 - 5) REQUIRED CLEARANCE TO SERVICE ELEMENT IS 15\".



BILL OF MATERIALS		
ITEM	QTY	DESCRIPTION
1	72	FLEX HOSE 5/8" ID
2	24	FLEX HOSE 2" ID
3	1	FITTING, 1/4" MNPT X 1/4" TUBE
4	2	FITTING, 1/4" MNPT X 1/4" 90° ELBOW
5	1	FITTING, 1/4" TUBE X 1/4" TUBE 90° ELBOW BRS
6	1	FITTING 1/4" MNPT X 1/4" TUBE STRT BRS
7	2	FITTING 3/8" MNPT X 3/8" TUBE STRT BRS
8	2	INSERT FOR 3/8" PLASTIC TUBING
9	2	GASKET 3-1/2" X 1-5/8"
10	1	GAUGE VAC 1/4" NPT 0-30 HG/V BRSS
11	1	GAUGE PRESSURE 0-15 PSIG BRS
12	1	GAUGE TEMP 20/240F--10/110C 3" DIA
13	1	SWITCH, LEVEL, 1" MNPT XP BRS/SS
14	1	SWITCH, HI-TEMP, NA, NC, 225F
15	1	HEAT EXCHANGER 17"x12" 1 PASS AIR/LIQ
16	1	FAN 12" OD 10 BLADE CCM/PULL W/HOUM BRUSH
17	1	FILTER, INLET, 1-1/2" THD 80 SCH POLY
18	1	FILTER, SILENCER 1-1/4" THD, 60 SCH
19	1	STRAINER 1 1/2" THD CI
20	1	SEPARATOR ELEMENT 10-5/8" DIA. X 12" LONG
21	1	VALVE CHECK HINGE 1-1/2" THD CS/B
22	1	VALVE, CHECK SWING 3/8" THD BRSS
23	1	VALVE, VAC. RELIEF 1-1/4" NPT 316SS
24	1	VALVE PETCOCK 1/4" MNPT BRS
25	1	OIL SEPARATOR/BASE
26	1	SHROUD ASSY FOR 12" OD FAN
27	1	WIRE GUARD FOR 12" OD FAN
28	1	BACKET HEAT EXCHANGER
29	1	BACKET HEAT EXCHANGER/SS BOX 460V
30	6	DRNA LUBE GAL. (NOT SHOWN)
31	1	VACUUM PUMP LR 1 STAGE MESH SEAL
32	1	CONTROL PANEL START STOP BOX 460V

THIS PRINT IS PROPERTY OF TRAWANI PUMPS USA, INC. AND MAY NOT BE GIVEN TO ANY OTHER CONCERN WITHOUT THE CONSENT OF TRAWANI PUMPS USA, INC.

TOLERANCES

DECIMAL ± .125
 FRACTIONAL ± 1/32"
 ANGULAR ± 0° 30' 00"
 UNLESS OTHERWISE SPECIFIED IN DRAWING

PART NO. _____
 VARIOUS

DATE: 6/24/13
 CHK BR: _____
 DWS BR: _____
 RRR _____
 APPROVED BR: _____

SCALE: 1 = 6

DESCRIPTION: GENERAL ARRANGEMENT
 MODEL NO. EVO 7.5-HP
 DWG NO. _____

TRAWANI PUMPS USA
 (Lafayette, CA & Denver, CO) Manufacturing and Systems

EVO 7.5
 GENERAL ARRANGEMENT

REV	DESCRIPTION	DATE	APPR
1	REVISIONS		