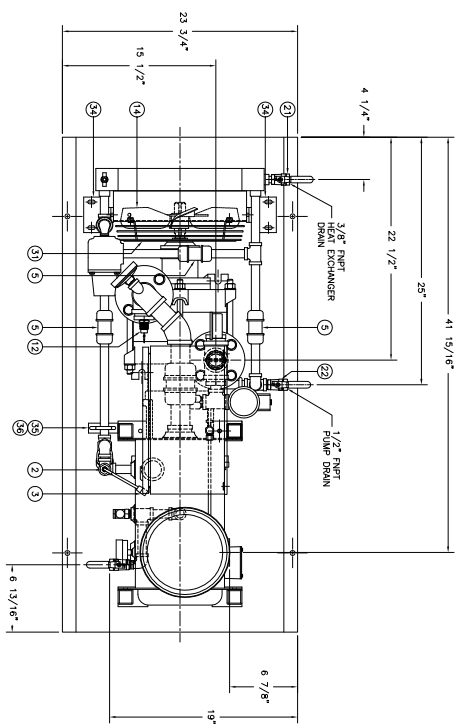
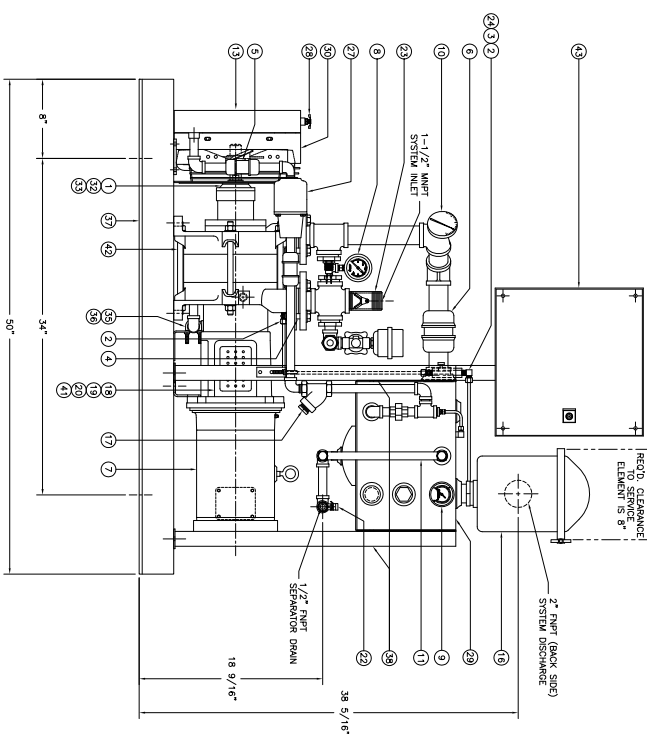
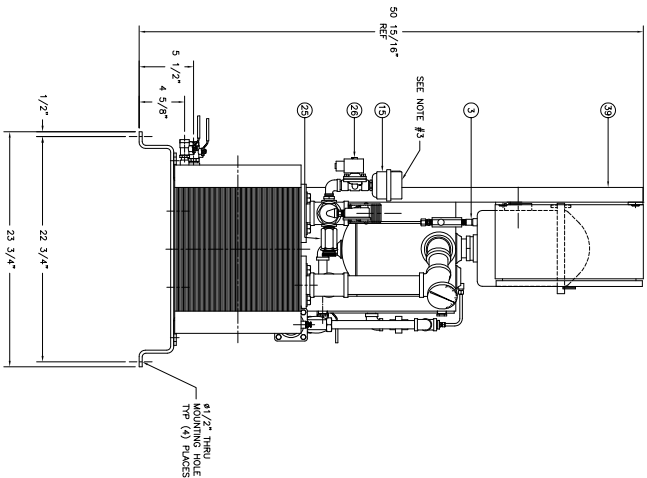


GENERAL ARRANGEMENT ONLY



ITEM	QTY	DESCRIPTION
1	1	KEY SHAFT 1/4" X 1/4" X 2" LONG CS
2	3	FITTING 1/4" MNPT X 1/4" COMPRESS BRG
3	3	FITTING COMPRESS 1/4" TUBE X 1/4" MNPT 90° EL
4	2	GASKET MANIFOLD 1-5/8" I.D. X 1/16" THK.
5	4	FLEX COUPLING 1/2" NPS CS/NIT
6	1	FLEX COUPLING 1/2" NPS CS/NIT
7	1	MOTOR 5 HP 4P 1841C 3/60/230-460V
8	1	GAUGE W/ 1/4" NPS 0-30" HG/ BRS 2-1/2" DIA
9	1	GAUGE PRESS 1/4" NPS 0/15 PSIG BRS 2.5" DIA
10	1	GAUGE TEMP 1/2" NPS 20/240F - 10/110C
11	1	GAUGE LEVEL 12 LG X 1/2" NPS AL/BRS/MT
12	1	SWITCH HI-TEMP 1/2" 1M4 NC 225F
13	1	HEAT EXCHANGER 17" X 12" 1 PASS AIR/LIQUID
14	1	FAN 12" X 4 BLADE CW/PULL HUB
15	1	FILTER SILENCER 1/2" NPS 10 SCFM
16	1	FILTER EXHAUST 2" NPS 100 SCFM
17	1	STRAINER X 1/2" NPS FORGED STEEL
18	1	DRIVE COUPLING 6S 1 1/8" CI
19	1	DRIVE COUPLING 6S 28MM CI
20	1	COUPLING ELEMENT SIZE 6-JE
21	1	VALVE BALL 3/8" NPS BRS/BRS/PTEE
22	2	VALVE BALL 1/2" NPS BRS/BRS/PTEE
23	1	VALVE CHECK HINGE 1/2" NPS CS/AL/BUVA
24	1	VALVE NEEDLE 1/4" NPS W/GAUGE BRS/BUVA
25	1	VALVE W/ GAUGE REL 3/4" THD AU BRASS
26	1	VALVE SOLENOID 1/2" 1M4 NC BRASS
27	1	VALVE TEMP CONTROL 1/2" 170F CI
28	1	VALVE PETCOCK 1/2" MNPT BRS
29	1	SEPARATOR OIL 1 1/2" NPS INLET/OUTLET CS
30	1	SHROUD FOR 12" OD FAN CS
31	1	WIRE GUARD FOR 12" FAN CS
32	1	SMART EXTENSION M30 X 1-1/2" THD CS
33	1	BEARINGS CAP 1-7/8" BORE
34	2	BRACKET HEAT EXCHANGER
35	2	BRACKET PIPE 3" X 3" X 1"
36	2	BRACKET U BOLT 1/2" PIPE
37	1	BASEPLATE 50" X 21" X 3 1/2" CS
38	3	LEG SEPARATOR TRO015-075 CS
39	1	LEG/BRKT CONTROL PANEL 15"X15"X8"
40	4	OIL DRAULIC (OIL) NOT SHOWN
41	1	M-BLOCK ASSY RRS/H40 215"
42	1	VACUUM PUMP LIQUID RING 1 STAGE MECH SEAL
43	1	CONTROL PANEL 15" X 15" X 8" RITIAL ENCL

ASSEMBLY NOTES:

- 1) LOCKE AND SECURE VACUUM SYSTEM ON A FLAT LEVEL SURFACE.
- 2) LOCK ALL OPEN PORTS WITH SQUARE HEAD PIPE PLUGS.
- 3) FUR #10 SCREWS 1 1/2" CLEARANCE TO SERVICE ELEMENT.

THIS PRINT IS PROPERTY OF TRAWANI PUMPS USA, INC. AND MAY NOT BE GIVEN TO ANY OTHER CONCERN WITHOUT THE CONSENT OF TRAWANI PUMPS USA, INC.

TOLERANCES

DECIMAL ± .0025"
 FRACTIONAL ± 1/2"
 ANGLE ± 9' 30" 00"
 UNLESS OTHERWISE SPECIFIED IN DRAWING

PROPERTY OF TRAWANI PUMPS USA, INC.
 574 N. W. 103 ST.
 MIAMI, FL 33155

VARIOUS

TRAWANI PUMPS USA
 United King & Norway Patent Pending and System

REV	DESCRIPTION	DATE	APPR
1	REVISIONS		

ITEM	QTY	DESCRIPTION
1	6	TR0075S-1A