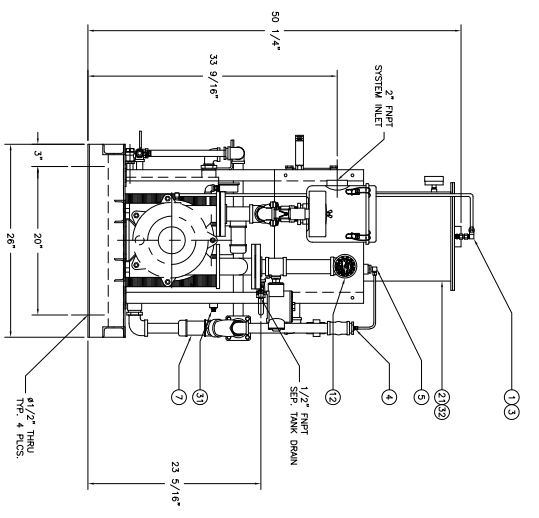
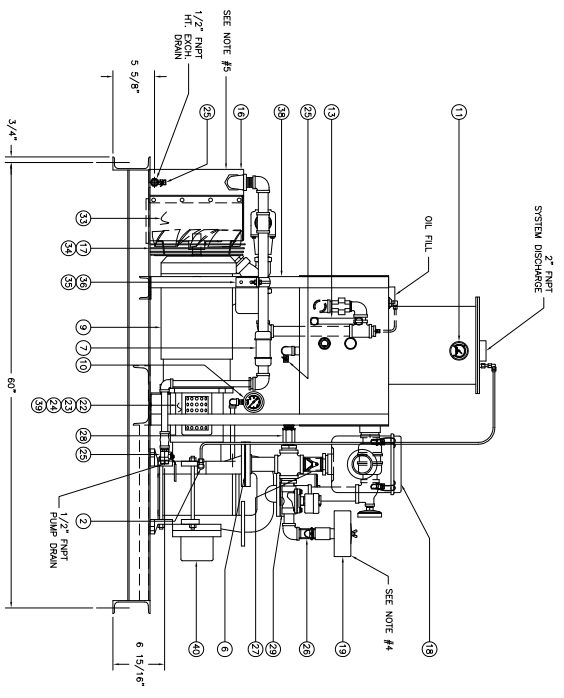
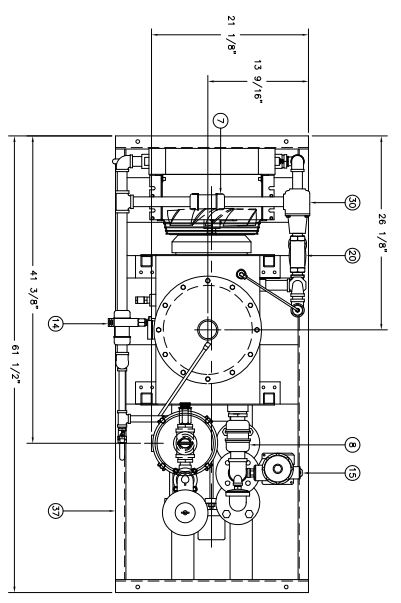


GENERAL ARRANGEMENT ONLY



BILL OF MATERIALS		
ITEM	QTY	DESCRIPTION
1	1	FITTING 1/4" MNPT X 1/4" TUBE
2	1	FITTING 1/4" MNPT X 1/4" TUBE 90° ELBOW
3	1	FITTING UNION ELBOW COMPRESSION
4	1	FITTING 1/4" MNPT X 1/4" COMPRESSION
5	1	FITTING 1/4" TUBE X 1/4" NPT 90° ELBOW
6	2	GASKET FLAT 3-1/2" OD X 1-5/8" ID
7	3	COUPLING FLEX 1"
8	1	MOTOR 7-1/2 HP 4P XP 213TC 230/460V
9	1	GAUGE VACUUM 0-30" HGV BRASS
10	1	GAUGE PRESSURE 0/15 PSIG
11	1	GAUGE LEVEL 6" 1/2" NPT
12	1	GAUGE TEMP 20/240F--10/110C 1/2" NPT
13	1	GAUGE LEVEL 6" 1/2" NPT
14	1	SWITCH LEVEL 1" NPT XP BR5/ST
15	1	SWITCH TEMP 1/2" NPT XP 304 SST
16	1	HEAT EXCHANGER 17X12 1 PASS
17	1	FAN 12" 10 BLADE CW/PULL
18	1	FILTER INLET 2" NPT
19	1	FILTER SLENDER 1" NPT
20	1	Y STRAINER 1" NPT CI
21	1	ELEMENT SEPARATOR
22	1	COUPLING DRIVE 7S 1-5/8" CI
23	1	COUPLING DRIVE 7S 2BMA CI
24	1	ELEMENT COUPLING SIZE 7-JE
25	3	VALVE BALL 1/2" NPT SP BRASS
26	1	VALVE CHECK HINGE 1" THD. CS/BUVA
27	1	VALVE CHECK HINGE 1-1/2" THD. CS/BUVA
28	1	VALVE VACUUM RELIEF 3/4" THD. BRASS
29	1	VALVE SOLENOID 1" THD. V7 NC BRASS
30	1	VALVE TEMP CONTROL 1" THD. 170F CI
31	1	VALVE PETCOCK 1/4" MNPT BRASS
32	1	SEPARATOR OIL 2" INLET
33	1	SHROUD 12" OD FAN
34	1	GUARD WIRE FOR 12" OD FAN
35	1	BRACKET PIPE
36	1	BRACKET U BOLT 1" PIPE
37	1	BASEPLATE OIL CS
38	4	LEG SEPARATOR
39	1	M-BLOCK ASSY TRS/HHD 21ST
40	1	LR WVC PUMP (SUPPLIED & INSTALLED BY CUSTOMER)
41	8	OIL DRAULAGE (SHIPPED LOOSE)

- SYSTEM NOTES:**
1. USE AND SECURE VACUUM SYSTEM ON A FLAT LABEL SURFACE.
 2. PLUG EMPTY PORTS WITH SQUARE HEAD NPT PIPE PLUGS.
 3. TIGHTEN FAN SET SCREWS TO 7 FT-LBS.
 4. 3" CLEARANCE REQUIRED TO SERVICE ELEMENT.
 5. 3" CLEARANCE REQUIRED TO SERVICE MOTOR.
 6. EXCESSIVE OIL DRAULAGE WILL BE SHIPPED LOOSE.
 7. COMPONENTS ASSOCIATED WITH PUMP TO BE SHIPPED LOOSE.
 8. GALLONS OF DRAULAGE OIL (971-0022-4000) SHIPPED LOOSE.

THIS PRINT IS PROPERTY OF TRAWANI PUMPS USA, INC. AND MAY NOT BE GIVEN TO ANY OTHER CONCERN WITHOUT THE CONSENT OF TRAWANI PUMPS USA, INC.

TOLERANCES

DECIMAL 3 .0025"
 FRACTIONAL 3 1/8"
 ANGLE 3 0° 30' 00"
 UNLESS OTHERWISE SPECIFIED IN DRAWING

VARIOUS

TRAWANI PUMPS USA
 (Label Bag & Motor from Vacuum Pumping and Systems)

REV	DESCRIPTION	DATE	APPR
REVISIONS			

DESCRIPTION	DATE	SCALE	MODEL NO.	REV
TPO100S-1A-XP GENERAL ARRANGEMENT DRAWING	11/2/15	1 = 8	N/A	