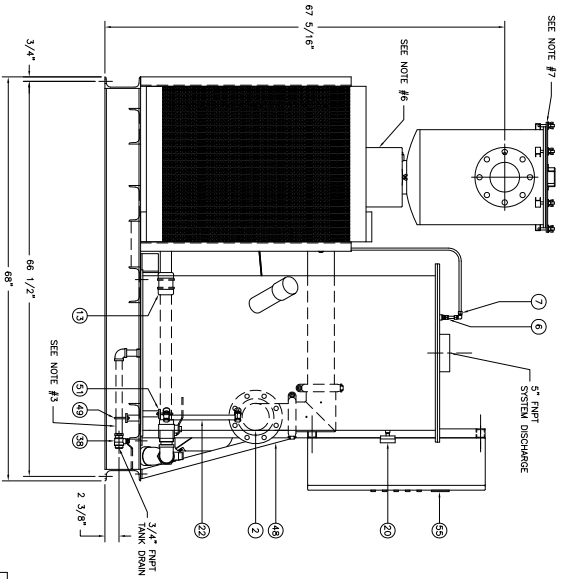
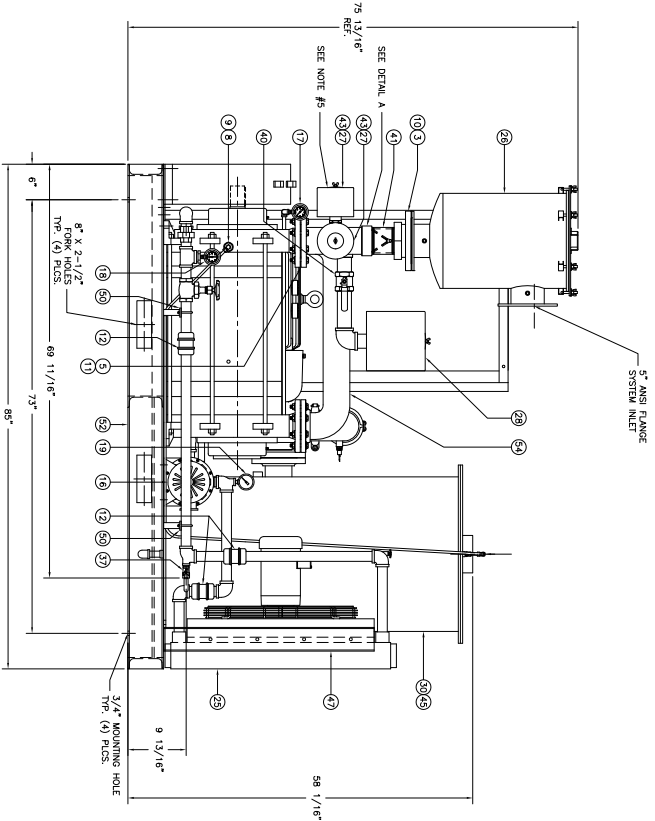
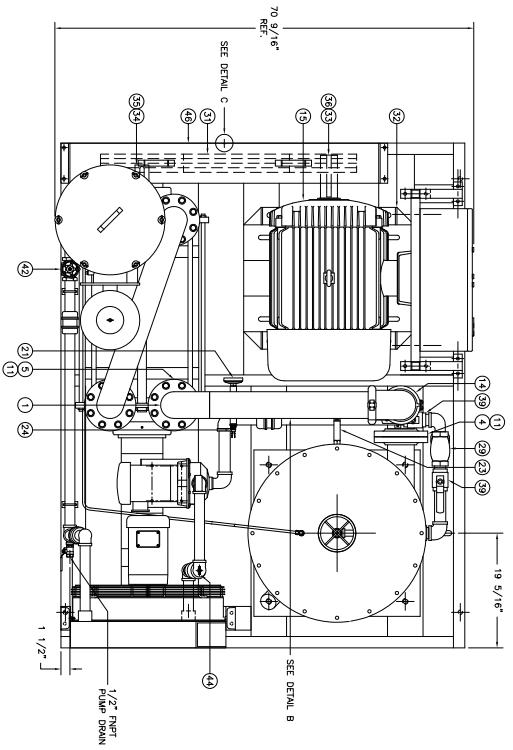


GENERAL ARRANGEMENT DRAWING ONLY



- SYSTEM NOTES:**
- 1) LOCATE AND SECURE VACUUM SYSTEM ON A FLAT, LEVEL SURFACE.
 - 2) PLUG EMPTY PORTS WITH SQUARE HEAD NPT PIPE PLUGS.
 - 3) PLUG EMPTY PORTS WITH SQUARE HEAD NPT PIPE PLUGS.
 - 4) WELD TO SUIT AND DISCHARGE AND INLET PIPING.
 - 5) REQUIRED CLEARANCE TO SERVICE ELEMENT IS 6".
 - 6) REQUIRED CLEARANCE TO SERVICE ELEMENT IS 10".
 - 7) REQUIRED CLEARANCE TO SERVICE ELEMENT IS 10" FROM LD.

REV	DESCRIPTION	DATE	APPR
REVISIONS			

THIS PRINT IS PROPERTY OF TRAWANI PUMPS USA, INC. AND MAY NOT BE GIVEN TO ANY OTHER CONCERN WITHOUT THE CONSENT OF TRAWANI PUMPS USA, INC.

TOLERANCES

DECIMAL 3. 0025"
 FRACTIONAL 3. 1/32"
 ANGLE 3. 9° 30' 00"
 UNLESS OTHERWISE SPECIFIED IN DRAWING

TRAWANI PUMPS USA
United King & Nepal, Vietnam, Myanmar, Singapore and Srilanka

TRAWANI PUMPS USA, INC.
 11/2/15
 GENERAL ARRANGEMENT DRAWING
 MODEL NO. TR01050-1A
 DWG NO. _____

ITEM	QTY	DESCRIPTION
1	1	ELBOW 4" LARGE RADIUS 90° BUTTWELD
2	1	ELBOW 4" SHORT RADIUS 90° BUTTWELD
3	1	FLANGE 5" 150# RF THD CS
4	1	FLANGE 4" 150# RF SLP ON CS
5	2	FLANGE WELD-NECK DIN 125 CS 4" NPS
6	1	FITTING 3/8" MNPT X 3/8" TUBE STRT BRS/MTRLE
7	1	FITTING 3/8" TUBE X 3/8" TUBE 90° BRS/MTRLE
8	1	FITTING 3/8" MNPT X 3/8" TUBE 90° BRS/MTRLE
9	1	FITTING INSERT FOR 3/8" PLASTIC TUBE
10	1	GASKET FLAT 7-5/4" O.D. X 5-9/16" I.D.
11	3	MANIFOLD GASKET 4-9/16" ID X 3/32" THK
12	3	FLEX COUPLING 1-1/4" NPT CS/MTRLE
13	1	FLEX COUPLING 1-1/2" NPT CS/MTRLE
14	1	FLEX COUPLING 4" NPT 90° CS/MTRLE
15	1	MOTOR 100 HP 4P TERC 404T 3/60/230/460V
16	1	PUMP CENTRIFUGAL 1-1/2" HP 2P 230/460V
17	1	VACUUM GAUGE 0-30"HG V BRS 2-1/2" DIAL
18	1	COMPOUND GAUGE 30.0/0.15 BRS 2-1/2" DIAL
19	1	PRESSURE GAUGE 0/60 PSIG BRS 2-1/2" DIAL
20	1	PRESSURE GAUGE 0/15 PSIG BRS 2-1/2" DIAL
21	1	TEMPERATURE GAUGE 20/240F-10/110C 3" DIAL
22	1	LEVEL GAUGE 12" LG 1/2" NPT AL/BRS/MTR
23	1	SWITCH, LEVEL, 1" XP BRS/SS
24	1	HI-TEMP SWITCH N4 NC 229F
25	1	HEAT EXCHANGER 37 X 27 1-PASS AIR/LD W/ 2HP MOTOR
26	1	FILTER INLET 5" 800CFM W/OXY MEDIA
27	2	FILTER SILENCER 1-1/4" THD.
28	1	Y-STRAINER 1-1/2" FNPT CI 20 MESH
29	1	SEPARATOR ELEMENT TR0700-1000 GALV
30	1	DRIVE BELT 5/8X-1000 W/2 BANOS
31	1	SLIDE BASE 40GT FRAME W/2 BOLTS
32	1	OD BUSHING TYPE SF 2-7/8" BORE
33	1	OD BUSHING TYPE SF 2-7/8" BORE
34	1	VALVE BALL 3/4" NPT BRS/SS/PTRF
35	2	VALVE BALL 1-1/2" NPT BRS/SS
36	1	VALVE, BUTTERBALL 2" THD.
37	1	VALVE CHECK HINGED 4" NPT CS/AL/BRUNA
38	1	VALVE GLOBE 1-1/4" NPT BRONZE/TELON
39	2	VALVE VACUUM REL. 1-1/4" THD
40	1	VALVE, PETCOCK 1/4" MNPT BRS
41	1	OIL SEPARATOR 4" INLET TR1 SERIES
42	1	V-BELT GUIDE TRODOW W/OHP W/15" OD SW X 8" OD SW
43	1	BRACKET, HEAT EXCHANGER SUPPORT
44	1	BRACKET, CONTROL PANEL TR0 300/1050
45	1	BRACKET U BOLT 3/4" PIPE
46	2	BRACKET U BOLT 1-1/4" PIPE
47	1	BRACKET U BOLT 1-1/2" PIPE
48	1	BASEPLATE, 85" X 68" X 6" CS
49	1	OIL DRAINAGE (CALC. NOT SHOWN)
50	1	LIQUID RING VACUUM PUMP 2-STG MECH SEAL
51	1	CONTROL PANEL 100HP 460V 24" X 20" X 7" ENCL.