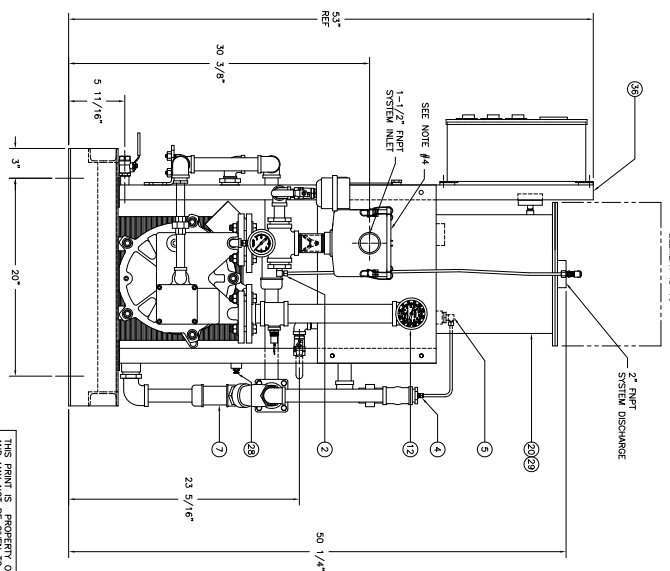
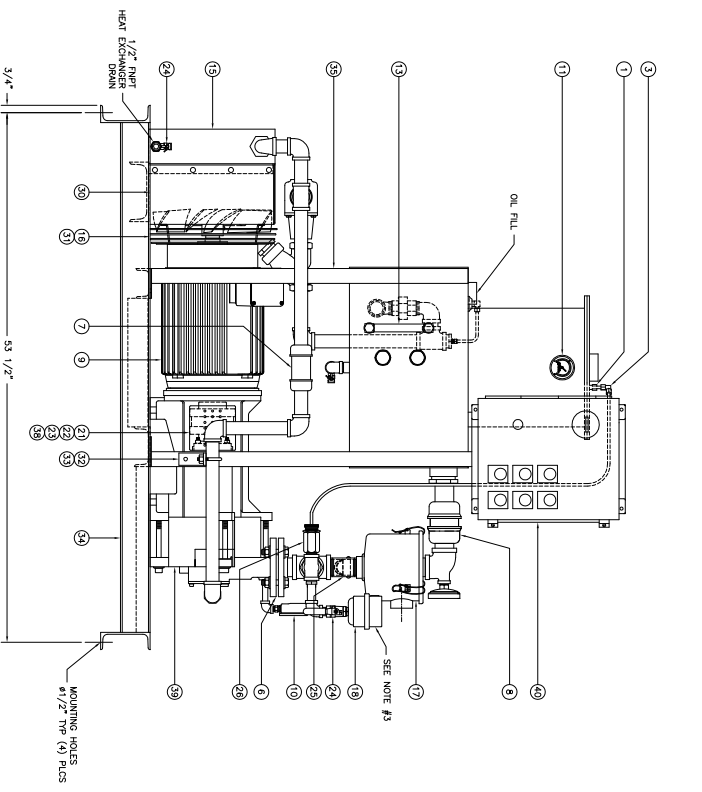
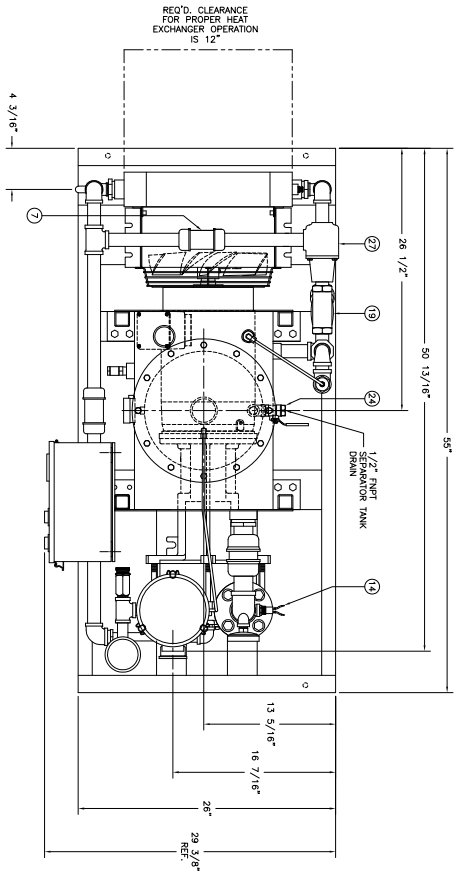


GENERAL ARRANGEMENT DRAWING



ITEM	QTY	DESCRIPTION
1	1	FITTING 1/4" MNPT X 1/4" TUBE BRG
2	1	FITTING 1/4" MNPT X 1/4" TUBE 90° ELBOW BRG
3	1	UNION ELBOW BRGSS COMPRESSION
4	1	FITTING 1/4" MNPT X 1/4" COMPRESSION BRG
5	1	FITTING COUP 1/4" TUBE X 1/4" NPT 90° ELBOW
6	2	GASKET MANROD 1-3/4" O X 1/16" THK CARBOLK
7	3	FLKX COUPLING 1" NPS CS/NIPT
8	1	MOTOR 7-1/2HP 4P TERC 231VC 208-230/460V
9	1	GAUGE VACUUM 0-30" HG/V 1/4" MNPT BRSS
10	1	GAUGE PRESS 0/15 PSIG 1/4" MNPT BRSS
11	1	VALVE TEMPR 20/24NPT--10/110°C 1/2" MNPT
12	1	VALVE LEVEL 6" LONG X 1/2" MNPT
13	1	SWITCH TEMP 1/2" MNPT 14 NC
14	1	HEAT EXCHANGER 17 X 12 INPSS AW/ALU
15	1	FAN 12" ID BLADE COM/PHLL
16	1	FILTER INLET ROUSTRER 1-1/2" NPT
17	1	FILTER STRAINER 1/2" MNPT 10 SPN ROUSTRER
18	1	Y STRAINER 1" NPT G 20 MESH
19	1	SEPARATOR ELEMENT
20	1	SEPARATOR ELEMENT
21	1	DRNK COUPLING FS 1-5/8" CI
22	1	DRNK COUPLING FS 28MM CI
23	1	COUPLING ELEMENT SIZE 7-1/2
24	3	VALVE BALL 1/2" NPT SP BRG
25	1	VALVE CHECK HINCE 1-1/2" MNPT CS/BRNA
26	1	VALVE VACUUM REL 3/4" MNPT BRSS ADJ
27	1	VALVE TEMPR CONTROL 1" NPT OPEN/170°
28	1	VALVE RETLOCK 1/4" MNPT BRG
29	1	SEPARATOR OIL 2" INLET CS
30	1	SHROUD FOR 12" OD FAN CS
31	1	WIRE GUARD FOR 12" OD FAN
32	1	BRACKET PIPE 1/4" X 3" X 4" CS
33	1	BRACKET U BOLT 1" DIA
34	1	BRACKET OIL 53 X 26 X 5" CS
35	3	LEG SEPARATOR 1-1/2" X 32"
36	1	LEG CONTROL PANEL FOR 14 X 12" ENCL CS
37	8	W-BLOCK ASSY TRVBAO 2131
38	1	W-BLOCK ASSY TRVBAO 2131
39	1	LIQUID RING VACUUM PUMP 1 STAGE MECH SEAL CONTROL PANEL SWPL N12 208V 14" X 12" X 6"
40	1	

- SYSTEM NOTES:**
- 1) LOCATE VACUUM SYSTEM ON A FLAT, LEVEL SURFACE.
 - 2) PLUG ALL UNUSED PORTS WITH SOLIDBRON PIPE PLUGS.
 - 3) CLEARANCE REQUIRED TO SERVICE ELEMENT IS 1-1/2".
 - 4) CLEARANCE REQUIRED TO SERVICE ELEMENT IS 5".

REV	DESCRIPTION	DATE	APPR
REVISIONS			

THIS PRINT IS PROPERTY OF TRAWANI PUMPS USA, INC. AND MAY NOT BE GIVEN TO ANY OTHER CONCERN WITHOUT THE CONSENT OF TRAWANI PUMPS USA, INC.

TOLERANCES

DECIMAL ± .0025"
 FRACTIONAL ± 1/2"
 ANGULAR ± 0° 30' 00"
 UNLESS OTHERWISE SPECIFIED IN DRAWING

PART NO. TBD
 DIMS BR: CMK BR: JAKE
 DATE: 9/30/13
 APPROVED BR: SCALE: 1 = 6

MODEL NO. TRO110V-1A
 DIMS NO. 1007151-D

TRAWANI PUMPS USA
 Liquid Ring & Steam Vapor Recovery Pumping and Systems