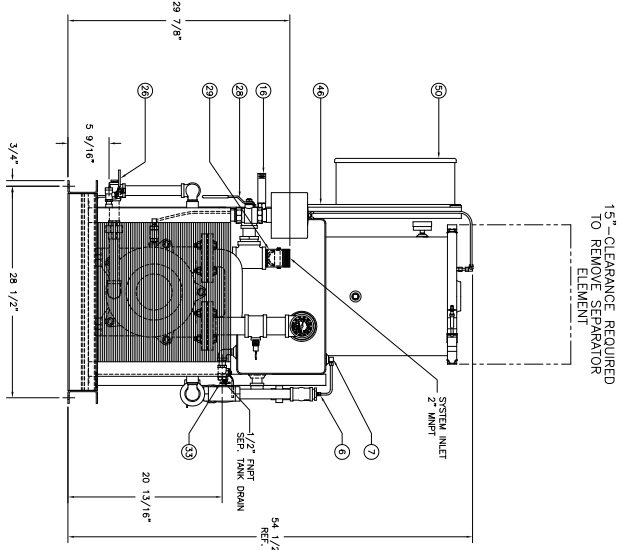
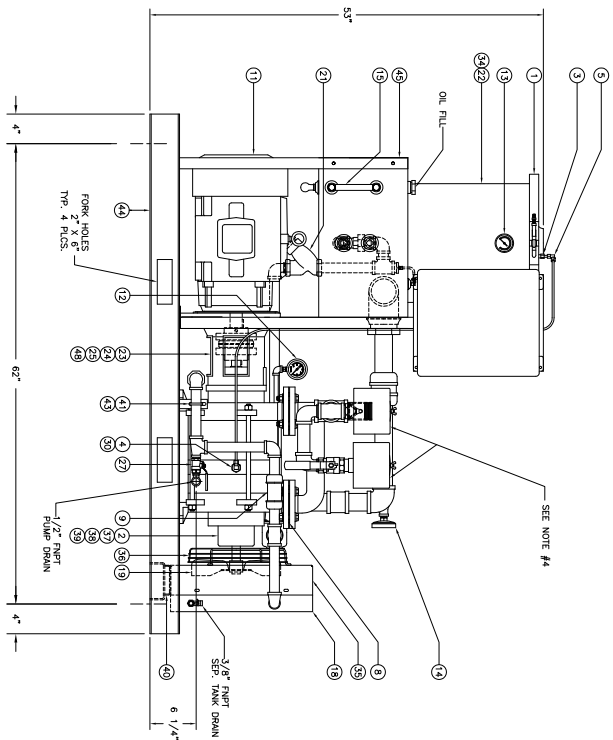
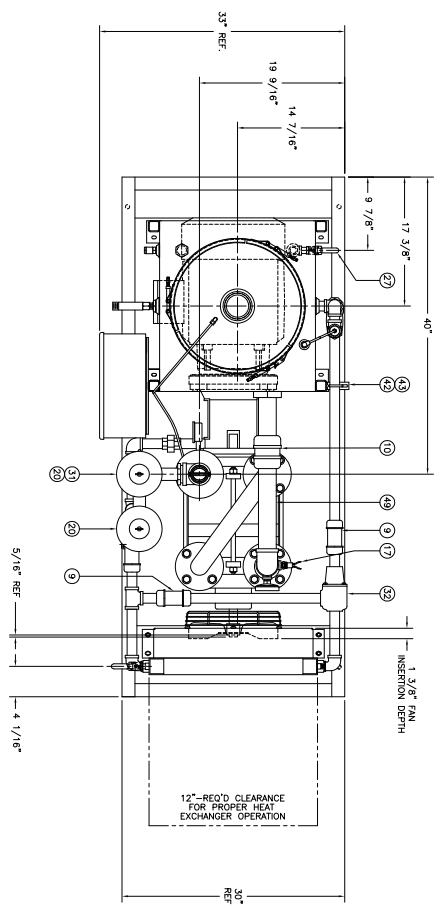


GENERAL ARRANGEMENT DRAWING ONLY



15" CLEARANCE REQUIRED TO REMOVE SEPARATOR ELEMENT

- SYSTEM NOTES:**
- 1.) LOCATE SYSTEM ON A LEVEL SURFACE.
 - 2.) PLUG EMPTY PORTS WITH SQUARE HEAD NPT PIPE PLUGS.
 - 3.) TIGHTEN FAN SCREW TO 7 FT/LBS.
 - 4.) REQUIRED CLEARANCE TO SERVICE ELEMENT IS 6".

ITEM	QTY	DESCRIPTION
1	1	V-CAMP RETAINER 18-1/8" X 5/8"
2	1	KEY SHAFT 1/4" X 1/4" X 2" LG
3	1	FITTING - 1/4" NPT X 1/4" TUB
4	1	FITTING - 1/4" NPT X 1/4" TUBE 90° ELBOW
5	1	UNION ELBOW BRASS COMPRESSION
6	1	FITTING 1/4" NPT X 1/4" COMPRESSION
7	1	FITTING 1/4" TUBE X 1/4" NPT 90° ELBOW
8	2	GASKET FLAT 4-1/8" OD X 2-1/4" ID
9	3	FLEX COUPLING 1" CS/BNK
10	1	MOTOR 15 HP 4P TEFC 254TC
11	1	GAUGE VACUUM 0-30" HGV BRG 2-1/2" DIAL
12	1	GAUGE PRESSURE 0/15 PSIG BRG
13	1	GAUGE TEMP 2/240F-10/110° BRG 3" DIAL
14	1	SWITCH LEVEL 1" XP
15	1	HEAT EXCHANGER 19" X 25" 1 PASS AIR/LIQUID
16	1	FAN 12" 4 BLADE RIGHT
17	1	FILTER SILENCER 1-1/4" 60 SCFM
18	1	Y-STRAINER 1" NPT CI
19	1	SEPARATOR ELEMENT TR0250/350/400
20	2	DRIVE COUPLING SS 1-5/8" CI
21	1	DRIVE COUPLING SS 32MM CI
22	1	COUPLING ELEMENT SIZE 8-JE
23	1	VALVE BALL 3/8" THD SP BRG
24	2	VALVE BALL 1/2" THD SP BRG
25	1	VALVE CHECK INLINE 1/4" THD BRG
26	1	VALVE CHECK HINGE 2" THD CS/BNK
27	1	VALVE CHECK INLINE 1/4" THD BRG
28	1	VALVE WACUUM REL. 1-1/4" THD.
29	1	VALVE TEMPERATURE CONTROL 1" NPT 170F
30	1	VALVE PERIODIC 1/4" NPT BRG
31	1	SEPARATOR OIL 3" INLET
32	1	SHROUD FOR 12" OD FAN CS
33	1	WIRE GUARD FOR 12" OD FAN CS
34	1	SHAFT EXTENSION 40MM X 1-1/8"
35	1	BEARING CAP - 75MM BORE
36	1	LP SEAL PL-460
37	1	RISER BLOCK 26-7/16" X 4" X 3/4"
38	1	BRACKET FLE 1/4" X 3" X 4" CS
39	1	BRACKET U BOLT 1" PIPE
40	1	BRACKET PIPE 3" X 3" X 1" CS
41	1	BRACKET PIPE 1/4" X 3" X 4" CS
42	1	BRACKET U BOLT 1" PIPE
43	1	BASEPLATE OIL FR
44	1	LEG SEPARATOR 1-1/2" X 31"
45	1	BRACKET CONTROL PANEL
46	1	OIL DRAULAGE (GALLON) NOT SHOWN
47	1	M-BLOCK ASSEMBLY TR5/H50 256T
48	1	VACUUM PUMP LIQUID RING 2 STAGE MECH SEAL
49	1	CONTROL PANEL SIMPLEX 460V 16" X 14" X 8"
50	1	

THIS PRINT IS PROPERTY OF TRAWANI PUMPS USA, INC. AND MAY NOT BE GIVEN TO ANY OTHER CONCERN WITHOUT THE CONSENT OF TRAWANI PUMPS USA, INC.

TOLERANCES

DECIMAL 3. 0625"

FRACTIONAL 4. 1/2"

ANGULAR 4. 9° 30' 00"

UNLESS OTHERWISE SPECIFIED IN DRAWING

PROPERTY OF TRAWANI PUMPS USA, INC.

VARIOUS

DATE 11/22/15

SCALE 1 = 8

REV 1

TRAWANI PUMPS USA
Liquid Ring & Heavy Non-Vacuum Ring and Systems

DESCRIPTION TRO200H-1A

GENERAL ARRANGEMENT DRAWING

MODEL NO. TRO200H-1A

DWG NO. -

REV 1