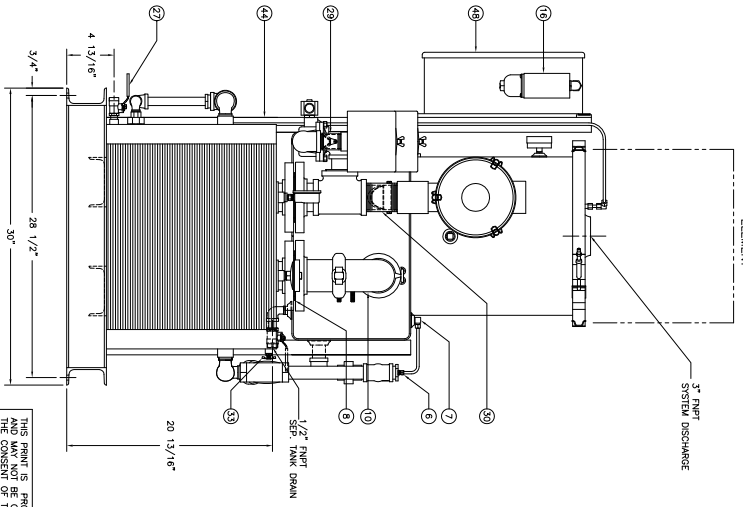
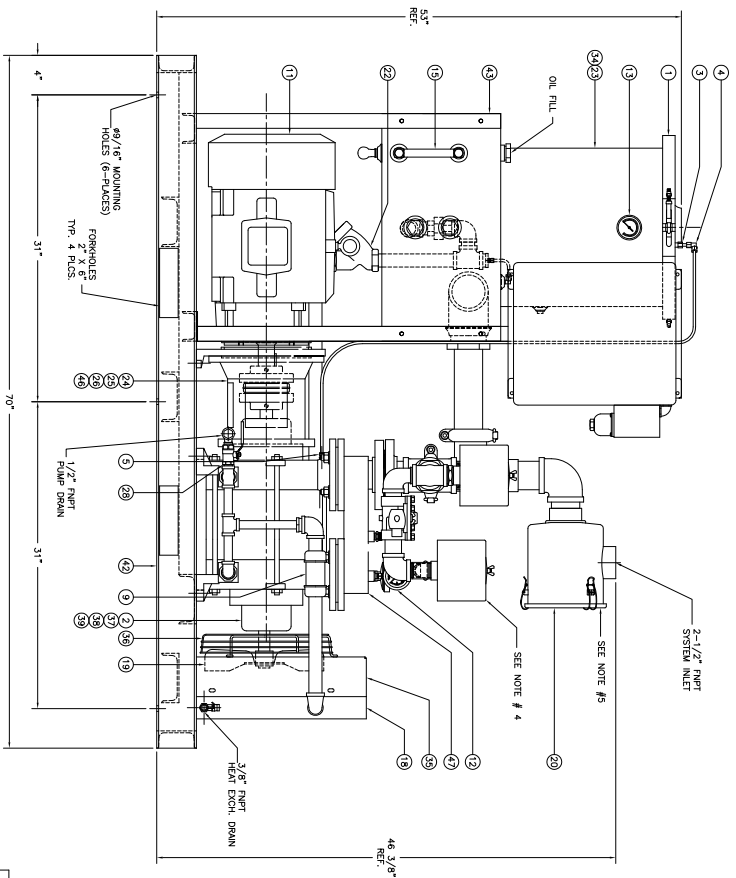


GENERAL ARRANGEMENT DRAWING ONLY

- SYSTEM NOTES:**
- 1) LEVEL SURFACE
 - 2) FLEX CLAMP BOLTS WITH SQUARE HEAD
 - 3) TIGHTEN FAN SET SCREW TO 7 FT-LBS.
 - 4) REQUIRED CLEARANCE TO SERVICE ELEMENT IS 6"
 - 5) REQUIRED CLEARANCE TO SERVICE ELEMENT IS 5"



REV	DESCRIPTION	DATE	APPR
REVISIONS			

THIS PRINT IS PROPERTY OF TRAWANI PUMPS USA, INC. AND MAY NOT BE GIVEN TO ANY OTHER CONCERN WITHOUT THE CONSENT OF TRAWANI PUMPS USA, INC.

TOLERANCES

DECIMAL 3.0025"
 FRACTIONAL 3/16"
 ANGULAR 3/8° 30' 00"
 UNLESS OTHERWISE SPECIFIED IN DRAWING

PART NO. TBD
 DECIMAL 3.0025"
 FRACTIONAL 3/16"
 ANGULAR 3/8° 30' 00"
 UNLESS OTHERWISE SPECIFIED IN DRAWING



MODEL NO. TR0200V-1A
 DWS NO. TBD

ITEM	QTY	DESCRIPTION	PART NUMBER
1	1	V-CLAMP RETAINER 18 1/8" X 5/8"	TBD
2	1	KEY SHAFT 1/4" X 1/4" X 2" LG	TBD
3	1	FITTING - 1/4" MNPT X 1/4" TUB STRT BRS	TBD
4	1	JUNCTION ELBOW, BRASS COMPRESSION BRS	TBD
5	1	FITTING 1/4" MNPT X 1/4" TUBE (NOT SHOWN)	TBD
6	1	FITTING 1/4" MNPT X 1/4" COMPRESSION	TBD
7	1	FITTING COMP 1/4" TUBE X 1/4" MNPT 90° ELBOW	TBD
8	2	GASKET FLAT 5" OD X 3" ID	TBD
9	2	FLEX COUPLING 1" NPS CS/NIT	TBD
10	1	FLEX 90° 2 1/2" NPS CS/BRNA	TBD
11	1	MOTOR 15HP 4P TEC 254TC	TBD
12	1	GAGE VACUUM 1/4" NPS 0-30"Hg BRS 2 1/2" DML	TBD
13	1	GAGE PRESSURE 1/4" NPS 0/15 PSIG BRS	TBD
14	1	GAGE TEMP 1/2"NPS 20/240F-10/110C BRS 3" DML	TBD
15	1	GAGE LEVEL 6" LG X 1/2" NPS	TBD
16	1	SWITCH, VAC NI NC/NO TYPE 1 EN	TBD
17	1	HEAT EXCHANGER 19" X 25" 1 PASS AIR/LIQUID	TBD
18	1	FAN, 12" 4 BLADE RT REVERSE PITCH	TBD
19	1	HEAT EXCHANGER 19" X 25" 1 PASS AIR/LIQUID	TBD
20	1	FILTER INLET 2-1/2"	TBD
21	2	SEPARATOR OIL 3" NPS INLET/OUTLET CS	TBD
22	1	SEPARATOR OIL 3" NPS INLET/OUTLET CS	TBD
23	1	DRIVE COUPLING BS 32MM CI	TBD
24	1	DRIVE COUPLING BS 1 5/8" CI	TBD
25	1	DRIVE COUPLING BS 32MM CI	TBD
26	1	COUPLING ELEMENT SIZE 8--E	TBD
27	1	VALVE BALL 5/8" NPS SP BRS	TBD
28	2	VALVE BALL 1/2" NPS SP BRS	TBD
29	1	VALVE CHECK HINGE 1 1/4" THD CS/B	TBD
30	1	VALVE CHECK HINGE 2 1/2" NPS CS/AL/BRNA	TBD
31	1	VALVE VACUUM REL 1-1/4" THD	TBD
32	1	VALVE SOL 1/4" NC 120 V	TBD
33	1	VALVE PETCOCK 1/4" MNPT BRS	TBD
34	1	SEPARATOR OIL 3" NPS INLET/OUTLET CS	TBD
35	1	SHROUD FOR 12" OD FAN CS	TBD
36	1	WIRE GUARD FOR 12" OD FAN CS	TBD
37	1	SHIRT EXTENSION 40MM X 1 1/8" LG	TBD
38	1	BEARING CAP - 75MM BORE	TBD
39	1	LIP SEAL PL-460	TBD
40	1	BRACKET PIPE 3" X 3" X 1" CS	TBD
41	1	BRACKET U BOLT 1" PIPE CS	TBD
42	1	BASEPLATE OILSEALED CS	TBD
43	3	LEG SEPARATOR 1-1/2" X 31" CS	TBD
44	1	LEG CONTROL PANEL	TBD
45	10	OIL DYNALUBE (GALLON) NOT SHOWN	TBD
46	1	WOUND-BLOCK ASSEMBLY TRMS 2561	TBD
47	1	VACUUM PUMP LIQUID RING 1 SLICE MECH SEAL	TBD
48	1	CONTROL PANEL N12 16" X 14" X 8" ENCL.	TBD