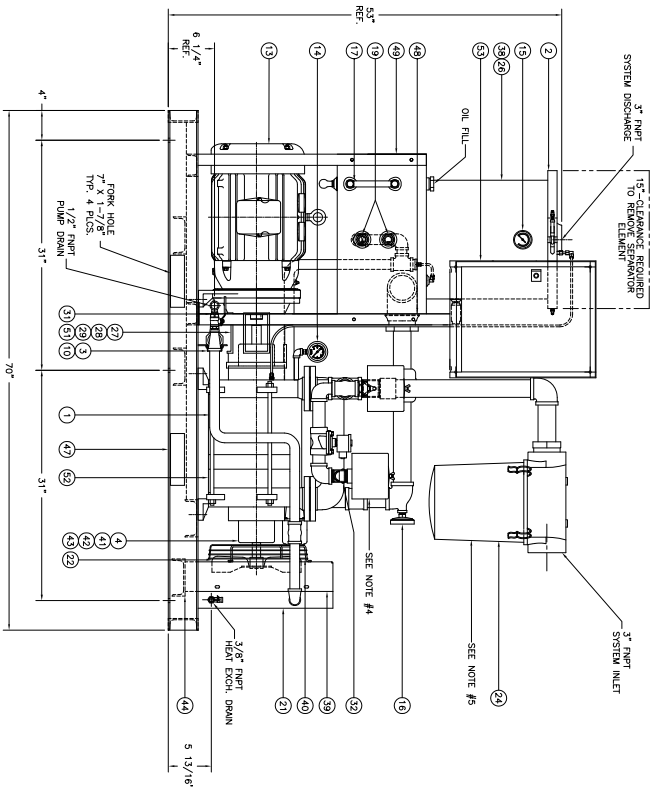
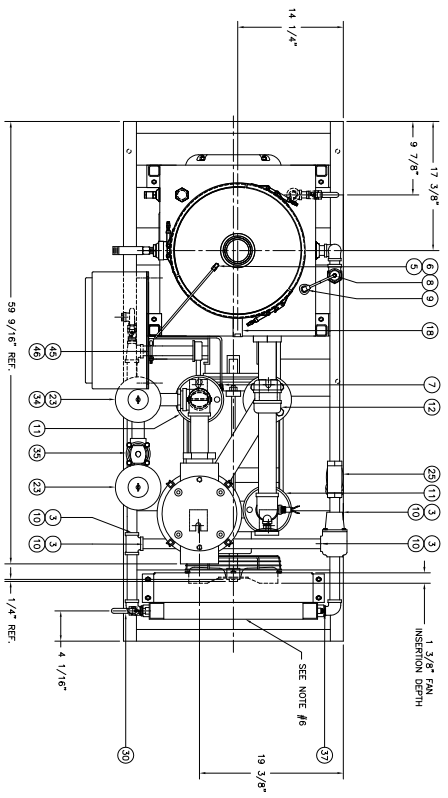
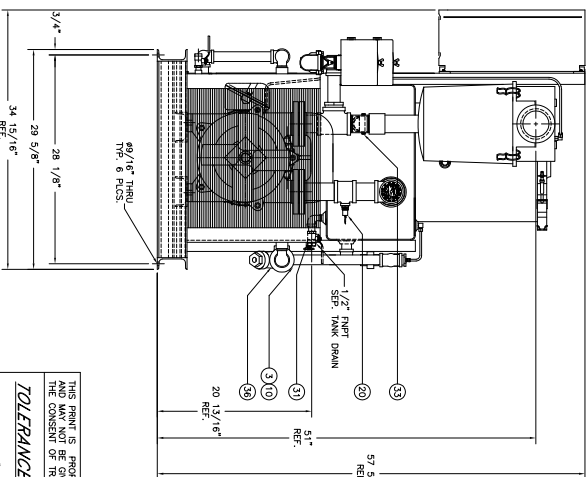


GENERAL ARRANGEMENT ONLY



- SYSTEM NOTES:
- 1) LOCATE WACUUM SYSTEM ON A LEVEL SURFACE.
 - 2) LOCATE HEAT EXCHANGER 18\"/>



BILL OF MATERIALS

ITEM	QTY	DESCRIPTION
105	1	FLEX. HOSE 1-1/4" ID BLACK RUBBER
2	1	V-CAMP REPAIRER 18-1/8" X 5/8" CS
3	6	CLAMP, HOSE 1.594" TO 1.812" D
4	1	KEY SHIRT 1/4" X 1/4" X 2" LG CS-ZINC PLATED
5	1	FITTING 1/4" NPT X 1/4" TUBE BR/INT
6	1	UNION ELBOW 1/4" NPT BRASS COMPRESSION
7	1	FITTING 1/4" NPT X 1/4" TUBE
8	1	FITTING 1/4" NPT X 1/4" COMPRESSION BR/
9	1	FITTING COMP 1/4" TUBE X 1/4" NPT 90° ELBOW
10	6	FITTING, REDUCING 1" NPT X 1-1/4"
11	2	GASKET FLAT 4.1" OD X 2.2" ID GARLOCK
12	1	FLEX COUPLING 2" CS/BUVA
13	1	MOTOR 20HP TECFC 3/230/460V 60HZ
14	1	GAUGE VACUUM 0-30 INCH BR/ 2-1/2" DIA.
15	1	GAUGE PRES 0/15 PSIG 1/4" NPT BR/ COLOR
16	1	GAUGE TEMPERATURE 2/240-10/110 BR/ 3" DIA
17	1	GAUGE LEVEL 6" 1/2" NPT AL/BR/INT
18	1	SWITCH, BACK PRESSURE 1/4" NO/NC SP/SI
19	2	SWITCH LEVEL 1" XP BR/SS/ST
20	1	SWITCH HI-TEMPERATURE 1/4" 1/2" 225°F
21	1	HEAT EXCHANGER 19" X 25" 1 PASS AIR/LIO AL/AL
22	1	FAN 12" 4 BLADE CW/PULL/EXHIST OVER HUB
23	2	FILTER, SILENCER 1-1/4" THD
24	1	FILTER, MINE 3" THD, 300 SCFM
25	1	Y-STRAINER 1" FNPT CI
26	1	SEP ELEMENT 18" OD FLG X 15" LG GALV
27	1	COUPLING, DRIVE BS 33MM CI
28	1	COUPLING, DRIVE BS 1-5/8" CI
29	1	ELEMENT, COUPLING SIZE 8-A-E
30	1	VALVE, BALL 3/8" THD SP BR/
31	2	VALVE, BALL 1/2" THD SP BR/
32	1	VALVE, CHECK HINGE 1-1/4" THD, CS/BUVA
33	1	VALVE, CHECK HINGE 2" THD, CS/AL/BUVA
34	1	VALVE, W/CK REL. 1.25 316SS W
35	1	VALVE, SILENCER 1-1/2" M4 NC 120V
36	1	VALVE, TEMPERATURE CONTROL 1" 170°F CI
37	1	VALVE, PETCOCK 1/4" NPT BR/
38	1	SEPARATOR OIL 3" INLET CS
39	1	SHROUD FOR 12" OD FAN CS
40	1	WIRE GUARD FOR 12" O.D. FAN
41	1	SMART EXT 40MM X 1-1/8"
42	1	BEARING CAP 75MM BORE
43	1	LP SEAL, PL-M80
44	1	RISER BLOCK
45	1	BRACKET U BOLT 1" PIPE
46	1	BRACKET, PIPE CS
47	1	BASEPLATE
48	1	LEG CONTROL PANEL
49	3	LEG SEPARATOR
50	14	OIL DRAINAGE (CALCUL) NOT SHOWN
51	1	ASSEMBLY, M-BLOCK, TRS/H50 246T
52	1	TRHB50-340/C/F
53	1	CONTROL PANEL 20HP 20" X 16" X 8" ENCLOSURE

THIS PRINT IS PROPERTY OF TRAWANI PUMPS USA, INC. AND MAY NOT BE GIVEN TO ANY OTHER CONCERN WITHOUT THE CONSENT OF TRAWANI PUMPS USA, INC.



REV	DESCRIPTION	DATE	APPR
1	DESCRIPTION		
2	REVISIONS		

DECIMAL	3.30"
FRACTIONAL	3 1/2"
ANGULAR	3 0' 30 00"
UNLESS OTHERWISE SPECIFIED IN DRAWING	

DESCRIPTION	TR0250H-1A
MODEL NO.	TR0250H-1A
DWG NO.	
DWG NO.	