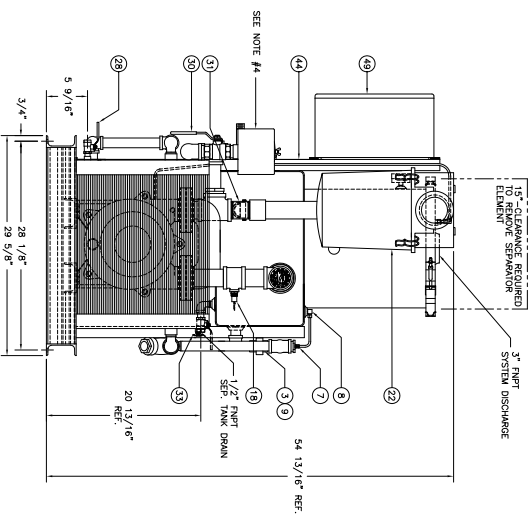
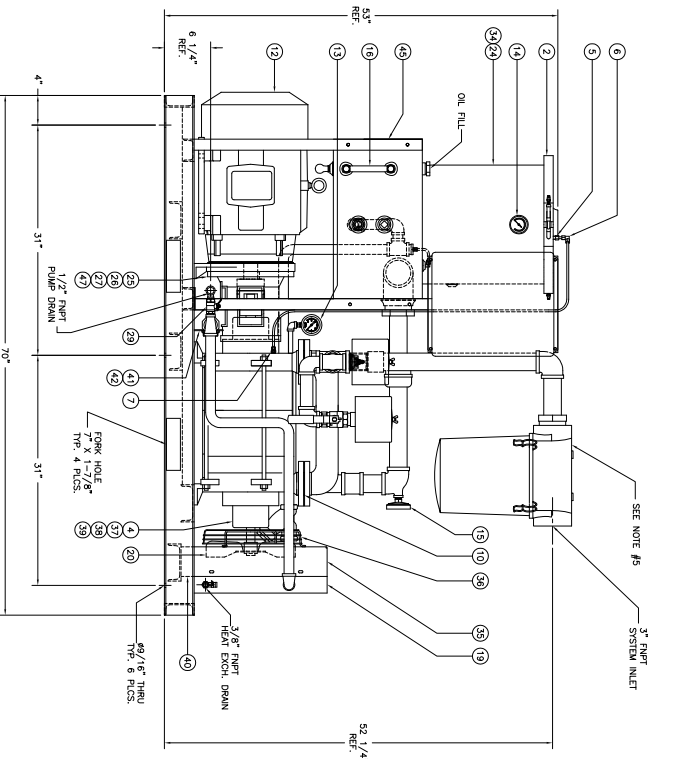
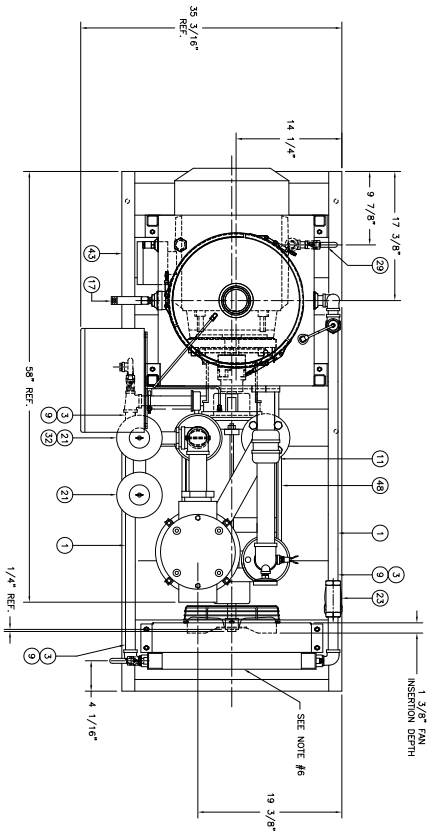


GENERAL ARRANGEMENT ONLY



ITEM	QTY	DESCRIPTION
1	105	FLEX. HOSE 1-1/4" ID BLACK RUBBER
2	1	V-COUMP REMOVER 18-1/8" X 5/8" CS
3	4	CLAMP, HOSE 1.594" TO 1.812" D
4	1	KEY SHIRT 1/4" X 1/4" X 2" LG CS-ZINC PLATED
5	1	FITTING 1/4" NPT X 1/4" TUBE BR/ST
6	1	UNION ELBOW 1/4" NPT BRASS COMPRESSION
7	2	FITTING 1/4" NPT X 1/4" COMPRESSION BR/ST
8	1	FITTING COMP 1/4" TUBE X 1/4" NPT 90° ELBOW
9	4	FITTING, RED, 1" NPT X 1-1/4"
10	2	GASKET FLAT
11	1	FLEX COUPLING 2" CS/BR/VA
12	1	MOTOR 25HP 284TC TERC 4P 3/230/460V FTLS
13	1	GAUGE VACUUM 0-30 HVV BRV 2-1/2" DIA
14	1	GAUGE PRES 0/15 PSIG 1/4" NPT BRV COLOR
15	1	GAUGE TEMPERATURE 2/240-10/110 BRV 3" DIA
16	1	GAUGE LEVEL 6" 1/2" NPT AL/BRV/ST
17	1	SWITCH LEVEL 1" XP BRV/ST
18	1	SWITCH HI-TEMPERATURE NA 1/2" 225T
19	1	HIT EX 19" X 25" 1 PASS AIR/LO AL/AL
20	1	FAN 12" 4 BLADE CW/PULL/EXHST OVER HUB
21	2	FILTER SILENCER 1-1/4" THD
22	1	FILTER, INLINE 3" THD, 300 SCFM
23	1	Y-STRAINER 1" NPT CI
24	1	SEP ELEMENT 18" OD FEG X 15" LG DRAV
25	26	1 COUPLING, DRIVE 85 3/2MM CI
26	1	COUPLING, DRIVE 85 1-7/8" CI
27	1	ELEMENT, COUPLING SIZE 8-1/2"
28	1	VAV BALL 3/8" THD SP BRV
29	2	VAV BALL 1/2" THD SP BRV
30	1	VALVE BUTTERBALL 1-1/4" THD BRV/SS/NT
31	1	VALVE HINGED CHECK 2" NPT CS/AL/BR/VA
32	1	VALVE, WVC REL 1.25 316SS W
33	1	VAV PETCOCK 1/4" NPT BRV
34	1	SEPARATOR OIL 3" INLET CS
35	1	SHROUD FOR 12" OD FAN CS
36	1	WIRE GUARD FOR 12" OD FAN
37	1	SHIRT EXT 40MM X 1-1/8"
38	1	BEARING CAP 75MM BORE
39	1	LP SEAL PL-4M60
40	1	RISER BLOCK
41	1	BRACKET U BOLT 1" PIPE
42	1	BRACKET, PIPE CS
43	1	BASEPLATE
44	1	LEG CONTROL PANEL
45	3	LEG SEPARATOR
46	14	OIL DRAINAGE (DAILON) NOT SHOWN
47	1	M-BLOCK ASSY TR565-284T
48	1	LIQUID RING VACUUM PUMP 2 STAGE
49	1	CONTROL PANEL 25HP 460V 14K12V6 ENCL

- SYSTEM NOTES:
- VACUUM SYSTEM ON A LEVEL SURFACE.
 - PLUG BERRY PORTS WITH SQUARE HEAD NPT PIPE PLUGS.
 - REQUIRED CLEARANCE TO SERVICE ELEMENT IS 6".
 - REQUIRED CLEARANCE TO SERVICE ELEMENT IS 13".
 - REQUIRED CLEARANCE FOR PROPER OPERATION IS 12".
 - MODIFY ITEM #42 AS SHOWN IN DETAIL BELOW.

THIS PRINT IS PROPERTY OF TRAWANI PUMPS USA, INC. AND MAY NOT BE GIVEN TO ANY OTHER CONCERN WITHOUT THE CONSENT OF TRAWANI PUMPS USA, INC.

DECIMAL 3.0625"
FRACTIONAL 1/2"
ANGULAR 3.0° 30' 00"UNLESS OTHERWISE SPECIFIED IN DRAWING

VARIOUS



REV	DESCRIPTION	DATE	APPR
1	TRO300H-1A	11/2/15	JGJ
2	TRO300H-1A	11/2/15	JGJ

REV	DESCRIPTION	DATE	APPR
1	TRO300H-1A	11/2/15	JGJ
2	TRO300H-1A	11/2/15	JGJ