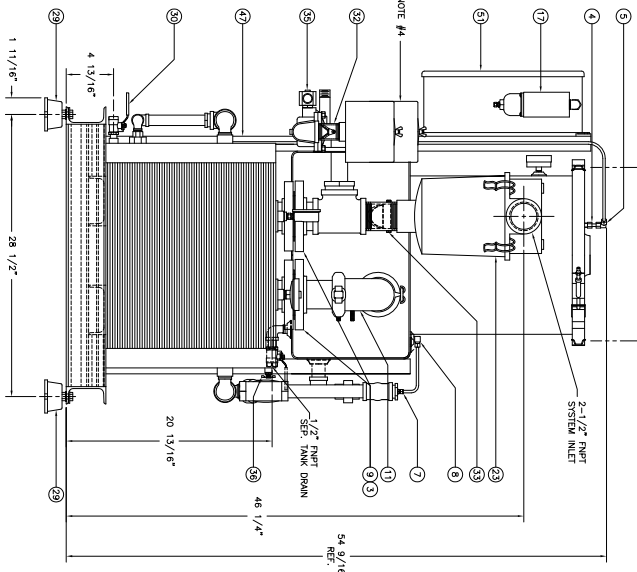
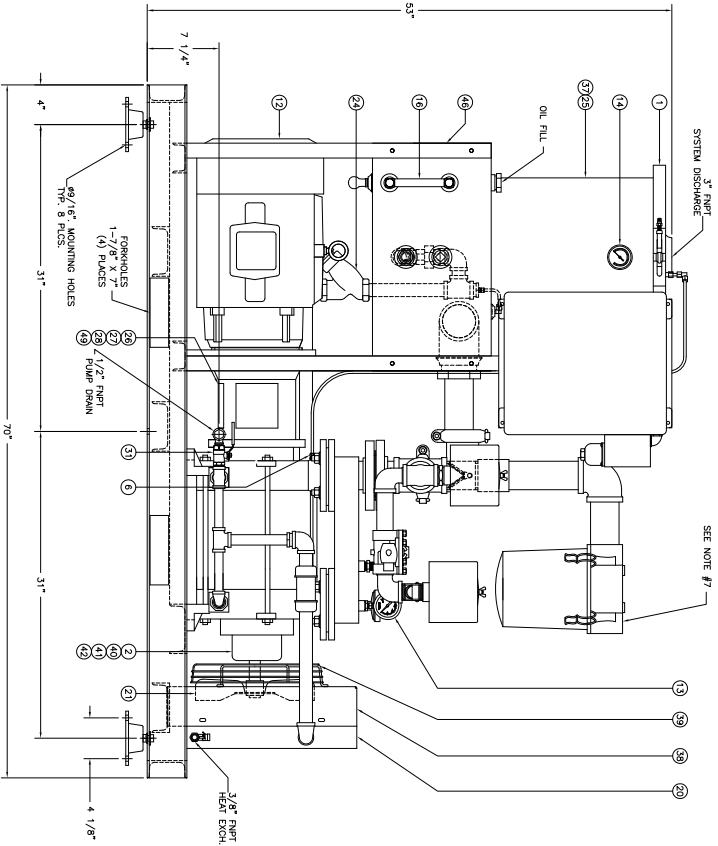


GENERAL ARRANGEMENT ONLY



ITEM	QTY	DESCRIPTION	PART NUMBER
1	1	V-CLAMP RETAINER 18-1/8" X 6-5/8"	XXX-XXXX-XXXX
2	1	KEY SHAFT 1/4" X 1/4" X 2" LG	XXX-XXXX-XXXX
3	2	FLANGE 2-1/2" 150# RAISED FACE THREADED CS	XXX-XXXX-XXXX
4	1	FITTING 1/4" MNPT X 1/4" TUBE	XXX-XXXX-XXXX
5	1	UNION ELBOW BRASS COMPRESSION	XXX-XXXX-XXXX
6	1	FITTING 1/4" MNPT X 1/4" TUBE	XXX-XXXX-XXXX
7	1	FITTING 1/4" MNPT X 1/4" COMPRESSION	XXX-XXXX-XXXX
8	1	FITTING COMP 1/4" TUBE X 1/4" NPT 90° ELBOW	XXX-XXXX-XXXX
9	2	GASKET FLAT 5" OD X 3" ID	XXX-XXXX-XXXX
10	2	FLEX COUPLING 1" CS/NIT	XXX-XXXX-XXXX
11	1	FLEX 90 2-1/2" CS/BUNA	XXX-XXXX-XXXX
12	1	MOTOR 20 HP 4P TEC 256T 230/460V	XXX-XXXX-XXXX
13	1	GAGE VACUUM 0-20" Hg BRS 2-1/2" DIA	XXX-XXXX-XXXX
14	1	GAGE PRESS 0/15 PSIG BRS	XXX-XXXX-XXXX
15	1	GAGE TEMP 20/240T-10/110C BRS 3" DIA	XXX-XXXX-XXXX
16	1	GAGE LEVEL 6" 1/2" NPT	XXX-XXXX-XXXX
17	1	SWITCH VACUUM ASSY SIMPLEX	XXX-XXXX-XXXX
18	1	SWITCH LEVEL 1" VP	XXX-XXXX-XXXX
19	1	SWITCH HI-TEMPERATURE M4 NC 225F	XXX-XXXX-XXXX
20	1	HT EXCHANGER 19" X 25" AIR/LIO	XXX-XXXX-XXXX
21	1	FAN 12" 4-BLAD CW/FULL/EXHST OVER HUB	XXX-XXXX-XXXX
22	2	FILTER SILENCER 1-1/4" NPT 60 SQFM	XXX-XXXX-XXXX
23	1	FILTER INLINE 2-1/2"	XXX-XXXX-XXXX
24	1	V-STRAINER 1" NPT CI	XXX-XXXX-XXXX
25	1	SEP ELEMENT THRO300V	XXX-XXXX-XXXX
26	1	BRVE CHG BS 1-5/8" CI	XXX-XXXX-XXXX
27	1	BRVE CHG BS 3/4" CI	XXX-XXXX-XXXX
28	1	ORIG ELEMENT SIZE 8-4E	XXX-XXXX-XXXX
29	4	VIBRATION MOUNTS 550#	XXX-XXXX-XXXX
30	1	VALVE BALL 3/8" THD BRS	XXX-XXXX-XXXX
31	2	VALVE BALL 1/2" THD BRS	XXX-XXXX-XXXX
32	1	VALVE HINGED CHECK 1.25" THD CS/B	XXX-XXXX-XXXX
33	1	VALVE HINGED CHECK 2-1/2" MNPT CS/AL/BUNA	XXX-XXXX-XXXX
34	1	VALVE VACUUM REL 1-1/4" 316SST	XXX-XXXX-XXXX
35	1	VALVE SOLENOID 1-1/4" THD M4 NC	XXX-XXXX-XXXX
36	1	VALVE PETCOCK 1/4" MNPT BRS	XXX-XXXX-XXXX
37	1	SEPARATOR OIL 3" INLET	XXX-XXXX-XXXX
38	1	SHROUD - 12" OD FAN CS	XXX-XXXX-XXXX
39	1	WHE GLAND FOR 12" OD FAN	XXX-XXXX-XXXX
40	1	SHAFT EXT. ADMA X 1-1/8"	XXX-XXXX-XXXX
41	1	SEAL LIP PL-460	XXX-XXXX-XXXX
42	1	BEARING CAP 72MM BORE	XXX-XXXX-XXXX
43	1	BRACKET PIPE 3" X 3" X 1"	XXX-XXXX-XXXX
44	1	BRACKET U-BOLT 1" PIPE	XXX-XXXX-XXXX
45	1	BASEPLATE	XXX-XXXX-XXXX
46	3	LEG SEPARATOR 1-1/2" X 31"	XXX-XXXX-XXXX
47	1	LEG CONTROL PANEL 1-1/2" X 49" CS	XXX-XXXX-XXXX
48	14	OIL DYNALUBE (GALLON) NOT SHOWN	XXX-XXXX-XXXX
49	1	MOND BLOCK ASSEMBLY TRMS 256T	XXX-XXXX-XXXX
50	1	VAC PMP UA 1 STD WCH SEL	XXX-XXXX-XXXX
51	1	CONTROL PANEL SUPPL. HOA N12 16" X 14" X 6"	XXX-XXXX-XXXX

- SEE NOTE #1
- SEE NOTE #4
- SEE NOTE #6
- SEE NOTE #7
- 15" CLEARANCE REQ'D TO REMV. SEPARATOR ELEMENT
- 2-1/2" NPT SYSTEM INLET
- 1/2" NPT SEPT. TANK DRN
- 46 1/4"
- 20 13/16"
- 1 11/16"
- 28 1/2"

STELT NOTES:

- LOCATE VACUUM SYSTEM ON A LEVEL SURFACE.
- PLUG EMPTY PORTS WITH SQUARE HEAD NPT PIPE PLUGS.
- TIGHTEN FAN SET SCREW TO 7 FT-LS.
- REQUIRED CLEARANCE TO SERVICE ELEMENT IS 6".
- ITEM #29 IS TO BE SHIPPED LOOSE FOR OPERATION IS 12".
- REQUIRED CLEARANCE TO SERVICE ELEMENT IS 10" FROM BOTTOM OF CAN.

THIS PRINT IS PROPERTY OF TRAWANI PUMPS USA, INC. AND MAY NOT BE GIVEN TO ANY OTHER CONCERN WITHOUT THE CONSENT OF TRAWANI PUMPS USA, INC.

TOLERANCES

DECIMAL 3. 0025"

FRACTIONAL 3. 1/2"

ANGULAR 3. 9' 30' 00"

UNLESS OTHERWISE SPECIFIED IN DRAWING

TRAWANI PUMPS USA
 (Incl. Ring & Screw Vacuum Pumping and Systems)

REV	DESCRIPTION	DATE	APPR

REVISIONS

REV	DESCRIPTION	DATE	APPR

DECIMAL 3. 0025"

FRACTIONAL 3. 1/2"

ANGULAR 3. 9' 30' 00"

UNLESS OTHERWISE SPECIFIED IN DRAWING

TRAWANI PUMPS USA
 (Incl. Ring & Screw Vacuum Pumping and Systems)

MODEL NO. TR0300V-1A

DWG NO. TBD

SCALE: 1 = 6