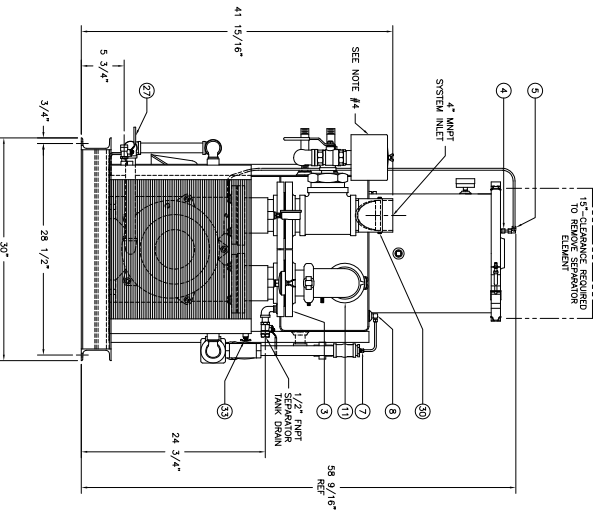
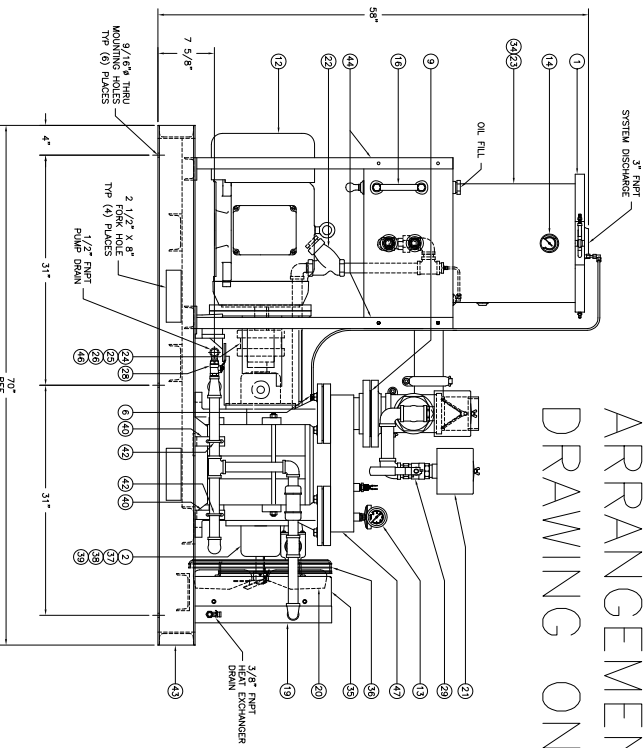


# GENERAL ARRANGEMENT DRAWING ONLY



- SYSTEM NOTES:
- 1) LOCATE AND SECURE VACUUM SYSTEM ON A LEVEL LEVEL SURFACE.
  - 2) PLUG EMPTY PORTS WITH SQUARE HEAD NPT PLUGS.
  - 3) TIGHTEN FAN SET SCREWS TO 7 FT-LBS.
  - 4) CLEARANCE REQUIRED TO SERVICE ELEMENT IS 6".

### BILL OF MATERIALS

ITEM	QTY	DESCRIPTION	PART NUMBER
1	1	V-CLAMP RETAINER 18 1/8" X 5/8"	XXX-XXXX-XXXX
2	1	KEY SHaft 1/4" X 1/4" X 2" LONG	XXX-XXXX-XXXX
3	1	FLANGE 4" X 3" HF NPT 150# CS	XXX-XXXX-XXXX
4	1	FITTING 1/4" MNPT X 1/4" TUBE STRT BRG	XXX-XXXX-XXXX
5	1	UNION ELBOW 1/4" NPT COMPRESSION BRG	XXX-XXXX-XXXX
6	1	FITTING 1/4" MNPT X 1/4" TUBE	XXX-XXXX-XXXX
7	1	FITTING 1/4" MNPT X 1/4" COMPRESSION	XXX-XXXX-XXXX
8	1	FITTING COMP 1/4" TUBE X 1/4" NPT 90° ELBOW	XXX-XXXX-XXXX
9	2	GASKET FLAT 6-3/16" OD X 4-9/16" ID GASKET	XXX-XXXX-XXXX
10	3	FLEX COUPLING 1" NPT CS/NIT	XXX-XXXX-XXXX
11	1	FLEX 90° 3" NPT CS/BRUNA	XXX-XXXX-XXXX
12	1	MOTOR 2HP 4P TEC 284TC 3/230/460V FTLS	XXX-XXXX-XXXX
13	1	GAUGE VACUUM 1/4" NPT 0-30" HGV BRASS	XXX-XXXX-XXXX
14	1	GAUGE PRESSURE 1/4" NPT 0/15 PSIG BRG	XXX-XXXX-XXXX
15	1	GAUGE TEMP 1/2" NPT 20/240F-10/110C BRG	XXX-XXXX-XXXX
16	1	VALVE LEVEL 6" LNG X 1/2" NPT	XXX-XXXX-XXXX
17	2	SWITCH HI-TEMP 1/2" NPT N4 NC 225F	XXX-XXXX-XXXX
18	1	HEAT EXCHANGER 19" X 25" 1 PASS AIR/LIO	XXX-XXXX-XXXX
19	1	FAN 18" 4 BLADE CW/FULL	XXX-XXXX-XXXX
20	1	FILTER SILENCER 1 1/4" NPT 60 SCFM	XXX-XXXX-XXXX
21	2	STRAINER Y 1" NPT CI	XXX-XXXX-XXXX
22	1	SEPARATOR ELEMENT TR0250/250/400	XXX-XXXX-XXXX
23	1	DRIVE COUPLING 9S 1-7/8" CI	XXX-XXXX-XXXX
24	1	DRIVE COUPLING 9S 42MM CI	XXX-XXXX-XXXX
25	1	COUPLING ELEMENT SIZE 9-E	XXX-XXXX-XXXX
26	1	VALVE BALL 3/8" NPT SP BRG	XXX-XXXX-XXXX
27	1	VALVE BUTTERBALL 1-1/4" NPT BRZ	XXX-XXXX-XXXX
28	2	VALVE CHECK HINGE 4" NPT CS/BRUNA	XXX-XXXX-XXXX
29	1	VALVE VAC. RELIEF 1-1/4" 316SS1	XXX-XXXX-XXXX
30	1	VALVE TEMP CONTROL 1" THU. 170F	XXX-XXXX-XXXX
31	1	VALVE PETCOCK 1/4" NPT BRASS	XXX-XXXX-XXXX
32	1	SEPARATOR OIL 3" NPT INLET	XXX-XXXX-XXXX
33	1	SHROUD FOR 18" OD FAN CS	XXX-XXXX-XXXX
34	1	WIRE GUARD FOR 18" OD FAN	XXX-XXXX-XXXX
35	1	SHIFT EXTENSION SOUND X 1 1/8"	XXX-XXXX-XXXX
36	1	BEARING CAP 85 MM BORE	XXX-XXXX-XXXX
37	1	BRACKET PIPE 1/4" X 3" X 4"	XXX-XXXX-XXXX
38	1	BRACKET PIPE 3" X 3" X 1"	XXX-XXXX-XXXX
39	1	BASEPLATE PRODUOS-1A MONOBLOCK	XXX-XXXX-XXXX
40	4	LEG SEPARATOR 1 1/2" X 35" CS	XXX-XXXX-XXXX
41	15	OIL DYNALUBE (GALON) NOT SHOWN	XXX-XXXX-XXXX
42	1	MONO BLOCK ASSEMBLY TRSC100 284/6T	XXX-XXXX-XXXX
43	1	VACUUM PUMP LR 1 SINGLE MECH SEAL	XXX-XXXX-XXXX
44	1		
45	1		
46	1		
47	1		

THIS PRINT IS PROPERTY OF TRAWANI PUMPS USA, INC. AND MAY NOT BE GIVEN TO ANY OTHER CONCERN WITHOUT THE CONSENT OF TRAWANI PUMPS USA, INC.

**TOLERANCES**

DECIMAL ± .0025"  
 FRACTIONAL ± 1/2"  
 ANGLE ± 0° 30' 00"  
 UNLESS OTHERWISE SPECIFIED IN DRAWING

TRAWANI PUMPS USA  
 Liquid Ring & Steam Vapor Vacuum Pumping and Systems

DESCRIPTION: DYNASUAL SIMPLEX 25 H.P. AIR COOLED VACUUM SYSTEM  
 MODEL NO.: TRC005-1A  
 DWG NO.: TBD

DATE: 3/11/09  
 SCALE: 1 = 8

REV. DESCRIPTION REVISIONS