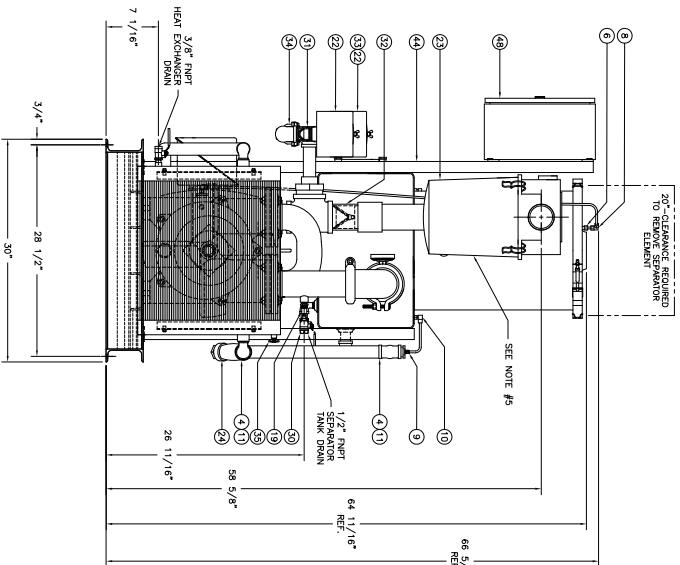
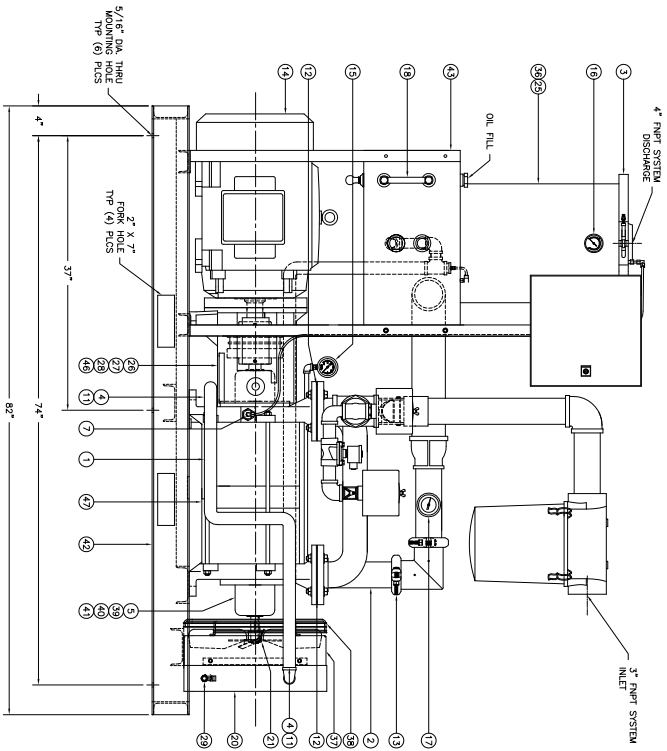
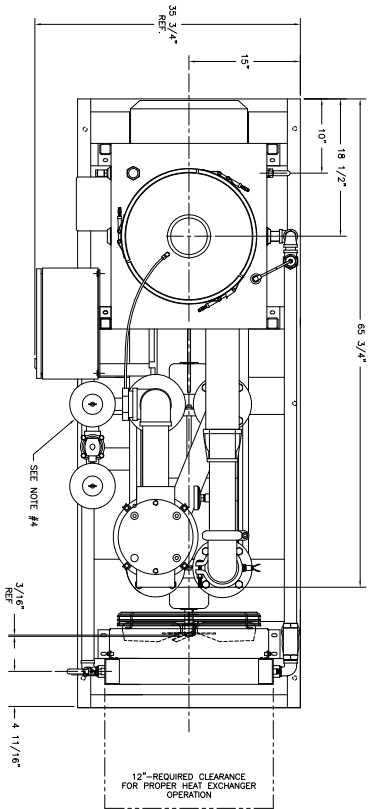


GENERAL ARRANGEMENT ONLY



BILL OF MATERIALS

ITEM	QTY	DESCRIPTION
1	122	HOSE, FLEX 1-1/4" ID RUBBER
2	1	TEMP SWITCH PIPE ASSY
3	1	V-CLAMP RETAINER 18-1/8" X 5/8"
4	4	CLAMP, HOSE 1.594" TO 1.812"
5	1	KEY SHIRT 1/4" X 1/4" X 2" LONG
6	1	FITTING 1/4" MNPT X 1/4" TUBE
7	1	FITTING 1/4" MNPT X 1/4" TUBE 90° CONN. BRG/WIRE
8	1	UNION ELBOW, BRSS COMPRESSION
9	1	FITTING 1/4" MNPT X 1/4" COMPRESSION
10	1	FITTING COMP 1/4" TUBE X 1/4" NPFT 90° ELBOW
11	4	FITTING, RED. 1"MNPT X 1-1/4" ID HOSE
12	2	GASKET MANIFOLD 3-1/2" ID X 5/8" THK GARLOK
13	1	FLEX COUPLING 3" 90° CS/BRNA
14	1	MOTOR 40 HP 4P TEC 324TC 230/460V
15	1	GAUGE VACUUM 0-30"HG BRS 2.5" DIA
16	1	GAUGE PRESSURE 0/15 PSIG BRS
17	1	GAUGE TEMP 2/240F-10/110C BRS 3" DIA
18	1	SWITCH HI-TEMPERATURE 1/4" X 1/2" NPFT
19	1	HEAT EXCHANGER 19" X 25" 1 PASS AIR/LIQUID
20	1	FAN 18" 4-BLADE OM/PUL/EXHST OVER HUB
21	2	FILTER SILENCER 1-1/4" NPFT 60 SCFM
22	1	FILTER MINE 3" NPFT 300 SCFM POLYESTER ELMNT
23	1	Y-STRAINER 1" NPFT CI
24	1	SEPARATOR ELEMENT TRQ425/500
25	1	DRIVE COUPLING SS 2-1/8" CI
26	1	DRIVE COUPLING SS 42MM CI
27	1	COUPLING ELEMENT SIZE 9-4E
28	1	VALVE BALL 3/8" THD SP BRS
29	1	VALVE BALL 1/2" THD BRS/BRS/PTE
30	1	VALVE HANDLE CHECK 1-1/4" MNPT CS/AL/BRNA
31	1	VALVE HANDLE CHECK 3" MNPT CS/AL/BRNA
32	1	VALVE WACUUM RELIEF 1-1/4" NPFT 316SS
33	1	VALVE SOLENOID 1-1/4" N4 NC 120V
34	1	VALVE PETCOCK 1/4" MNPT BRS
35	1	SEPARATOR OIL 4" INLET CS
36	1	SHROUD FOR 18" FAN CS
37	1	WIRE GUARD FOR 18" O.D. FAN
38	1	SHaft EXTENSION 50MM X 1-1/8"
39	1	BEARING CAP 50MM BORE
40	1	UP SEAL TRQ400/500
41	1	BASEPLATE DYNASEAL FR 82" X 30" X 5" CS
42	1	SEPARATOR LEG ASSEMBLY 1-1/2" X 36-1/2" CS
43	1	LEG. CONTROL PANEL 1-1/2" X 60-1/2" CS
44	1	OIL DVALVE (GALLON) NOT SHOWN
45	1	M-BLOCK ASSEMBLY TRSCT00 324T
46	1	TRHC90-600C/F
47	1	CONTROL PANEL 460V 40 HP SIMPLEX
48	1	

- SERIAL NOTES:**
- 1) OILIE AND SECURE VACUUM SYSTEM ON A PALE LEVEL SURFACE.
 - 2) INSTALL FAN SET SPACING TO 7" FT/BS.
 - 3) CLEARANCE REQUIRED FOR PROPER ELEMENT REMOVAL IS 6".
 - 4) CLEARANCE REQUIRED FOR PROPER ELEMENT REMOVAL IS 13".

THIS PRINT IS PROPERTY OF TRAWANI PUMPS USA, INC. AND MAY NOT BE GIVEN TO ANY OTHER CONCERN WITHOUT THE CONSENT OF TRAWANI PUMPS USA, INC.

TOLERANCES

DECIMAL ± .0025"
 FRACTIONAL ± 1/16"
 ANGLE ± 0° 30' 00"
 UNLESS OTHERWISE SPECIFIED IN DRAWING

VARIOUS

TRAWANI PUMPS USA
 (Lafayette, Pa. & Denver, Colo. locations)
 TRQ425H-1A

REV	DESCRIPTION	DATE	APPR
1	TRQ425H-1A	11/22/15	JCJ
2	REVISED		