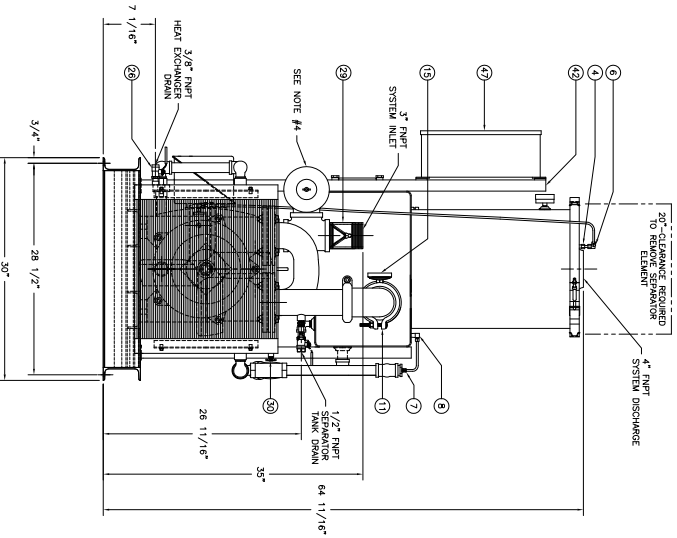
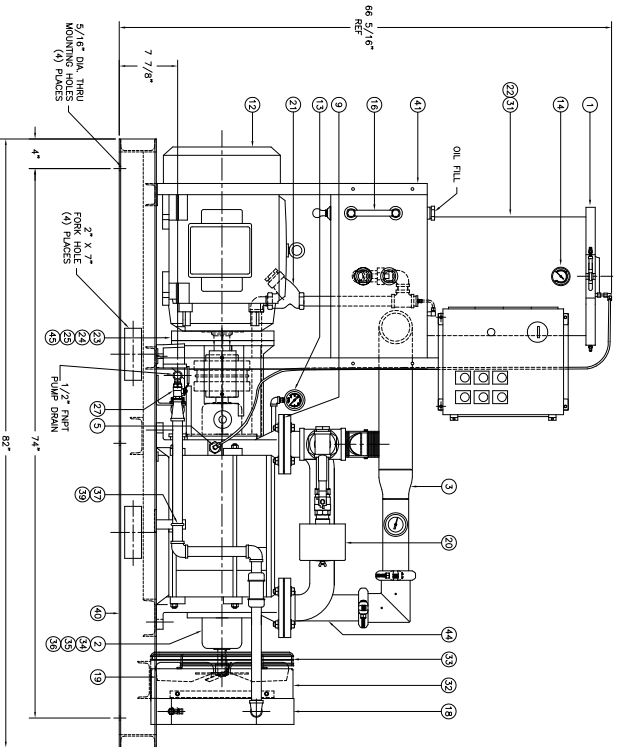
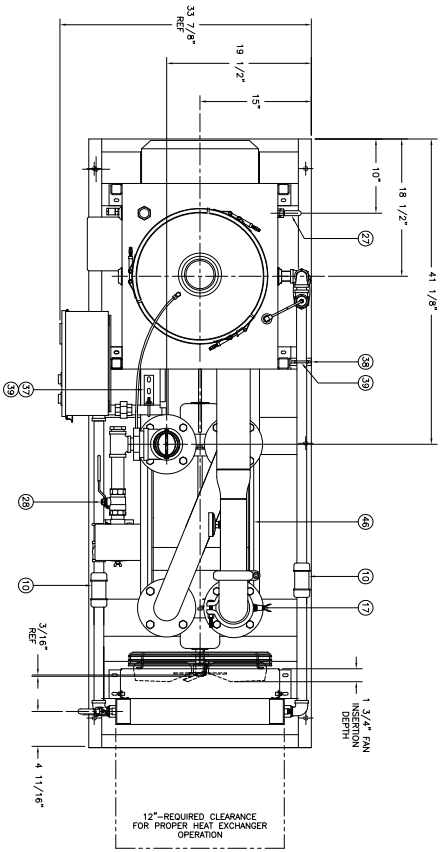


GENERAL ARRANGEMENT DRAWING FOR REFERENCE ONLY



ITEM	QTY	DESCRIPTION
1	1	V-CAMP RETAINER 18-1/8" X 5/8"
2	1	KEY SHAFT 1/4" X 1/4" X 3" LONG
3	1	CONCENTRIC REDUCER 4" X 3" NPS CS BUTT WELD
4	1	FITTING 1/4" MNPT X 1/4" TUBE
5	1	FITTING 1/4" MNPT X 1/4" TUBE 90° CONN. BR5/MTR/E
6	1	UNION ELBOW, BRASS COMPRESSION
7	1	FITTING 1/4" MNPT X 1/4" COMPRESSION
8	1	FITTING COMP 1/4" TUBE X 1/4" NPT 90° ELBOW
9	2	GASKET MANIFOLD 3-1/2" ID X 5/8" THK GARLOCK
10	2	FLEX COUPLING 1" CS/NIT
11	1	FLEX COUPLING 3" 90° CS/BUVA
12	1	MOTOR 50 HP 4P TFC 326TC 230/460V
13	1	GAUGE VACUUM 0-30"HG BR5 2.5" DIA.
14	1	GAUGE PRESSURE 0/15 PSIG BR5
15	1	GAUGE TEMP 2/240F-10/110C BR5 3" DIA
16	1	GAUGE LEVEL 6" LG X 1/2" NPT
17	1	SWITCH HI-TEMPERATURE NA 255F
18	1	HEAT EXCHANGER 18" X 25" 1 PASS AIR/LIQUID
19	1	FAN 18" 4-BLADE 6W/PULL/EXHST OVER HUB
20	1	FILTER SILENCER 1-1/4" NPT 60 SCHV
21	1	Y-STRAINER 1" NPT CI
22	1	SEPARATOR ELEMENT THQ423/500
23	1	DRIE COUPLING 105 2-1/8" CI
24	1	DRIVE COUPLING 105 42MM CI
25	1	COUPLING ELEMENT SIZE 10-JE
26	1	VALVE BALL 3/8" THD SP BR5
27	2	VALVE BALL 1/2" THD BR5/BR5/PTE
28	1	VALVE, BUTTERBALL 1-1/4" THD BR5/SS/MTON
29	1	VALVE HINGE CHECK 3" MNPT CS/AL/BUVA
30	1	VALVE PETCOCK 1/4" MNPT BR5
31	1	SEPARATOR OIL 4" INLET CS
32	1	SHROUD FOR 18" FAN CS
33	1	WIRE GUARD FOR 18" O/D FAN
34	1	SHAFT EXTENSION 50MM X 1-1/8"
35	1	BEARING CAP 50MM BORE
36	1	LIP SEAL TROUPO/500
37	2	BROCKET PIPE 1/4" X 3" X 4"
38	1	BROCKET PIPE 3" X 3" X 1"
39	3	BROCKET U BOLT 1" PIPE
40	1	BASEPLATE DUNASTAL FR 82" X 30" X 5"
41	1	SEPARATOR LEG ASSEMBLY 1-1/2" X 36-1/2"
42	1	LEG CONTROL PANEL 1-1/2" X 54-1/2" LG CS
43	17	OIL DVALUHE (GALLON) NOT SHOWN
44	1	TEMP SWITCH PIPE ASSY
45	1	M-BLOCK ASSEMBLY TRSC100 324T
46	1	VACUUM PUMP LIQUID RING 2 STAGE WEGH 55AL
47	1	CONTROL PANEL SIMPLEX N12 16"X14"X8" 460V

- SYSTEM NOTES:**
- 1) LOCATE AND SECURE VACUUM SYSTEM ON A FLAT LEVEL SURFACE.
 - 2) PLUG PORTS WITH SQUARE HEAD NPT PIPE PLUGS.
 - 3) TIGHTEN FAN SET SCREWS TO 7 FT/LBS.
 - 4) CLEARANCE REQUIRED FOR PROPER ELEMENT REMOVAL IS 6".
 - 5) FILE AND DRILL HOLES AS NEEDED.

THIS PRINT IS PROPERTY OF TRAWANI PUMPS USA, INC. AND MAY NOT BE GIVEN TO ANY OTHER CONCERN WITHOUT THE CONSENT OF TRAWANI PUMPS USA, INC.

VARIOUS
TOLERANCES

DECIMAL ± .0025"
FRACTIONAL ± 1/2"
ANGULAR ± 0° 30' 00"
UNLESS OTHERWISE SPECIFIED IN DRAWING



REV	DESCRIPTION	DATE	APPR
	REVISIONS		

DESCRIPTION	TRACSOOH	REV
GENERAL ARRANGEMENT DRAWING	TRACSOOH-1A	