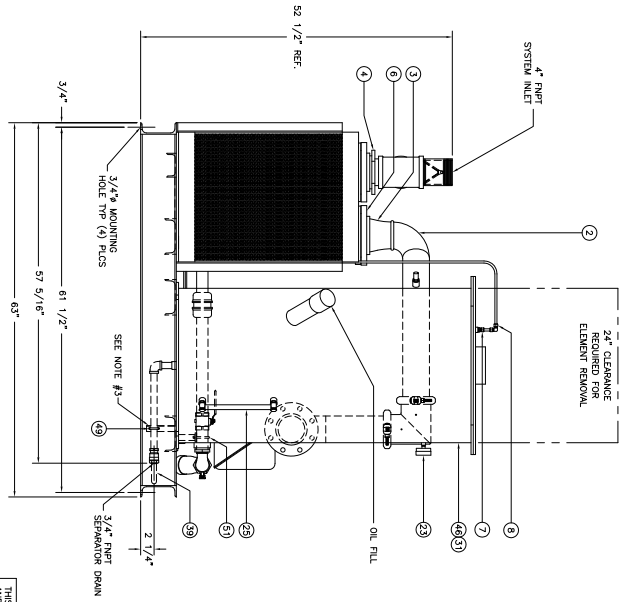
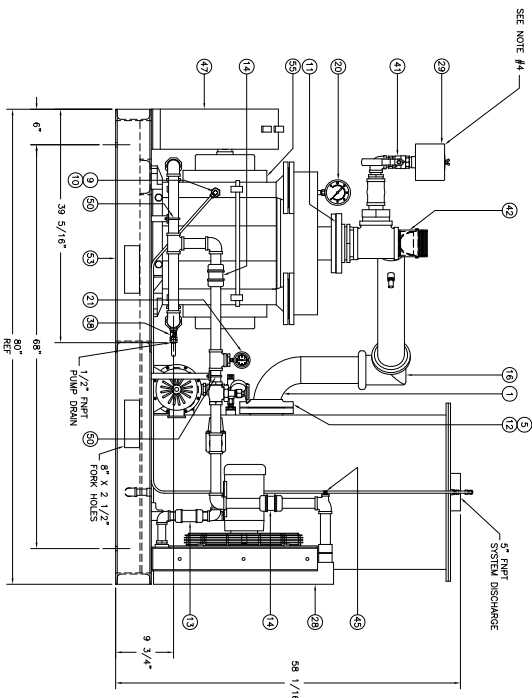
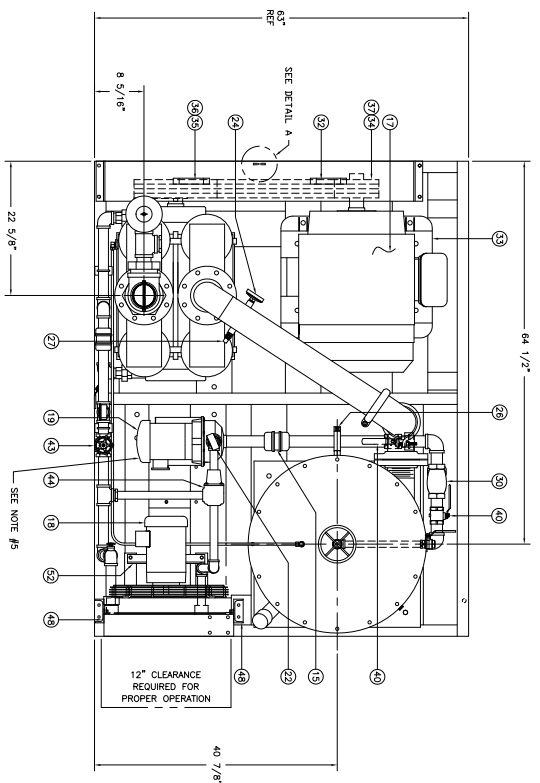


# GENERAL ARRANGEMENT DRAWING ONLY



### BILL OF MATERIALS

ITEM	QTY	DESCRIPTION
1	1	4" NPS SCH40 LONG RADIUS BW 90° ELBOW CS
2	1	4" NPS SCH40 SHORT RADIUS BW 90° ELBOW CS
3	1	5" NPS X 4" NPS BW CONCENTRIC REDUCER CS
4	1	BUSHING 5" NPT X 4" NPT 150# BLK CS
5	1	FLANGE 4" 150# RT SLIP ON CS
6	1	FLANGE WELD NECK DIN 125 CS 5" NPS
7	1	FITTING 3/8" MNPT X 3/8" TUBE STRT BRS/NTN
8	1	FITTING 3/8" TUBE X 3/8" TUBE 90° BRS/NTN
9	1	3/8" TUBE X 3/8" MNPT 90° ELBOW
10	1	3/8" TUBE SUPPORT FOR PLASTIC TUBE
11	2	GASKET FLAT 7" OD X 4" ID CARBON
12	1	GASKET FLAT 7" OD X 4" ID CARBON
13	1	FLEX COUPLING 1" NPS CS/NTN
14	2	FLEX COUPLING 1 1/2" NPS CS/NTN
15	1	FLEX ELBOW 4" NPS 90° CS/BUNA
16	1	MOTOR 50 HP 4P TFCQ 326T
17	1	MOTOR 1 1/2HP 4P TFCQ 1451C 3/208-230/460V
18	1	PUMP CENTRIFUGAL 1 HP 2P 230/460V SS/VT
19	1	GAUGE VACUUM 1/4" NPS 0-30"HgV BRS 4" DIAL
20	1	GAUGE COMP 1/4" NPS 30.0/0.15PSI 2 1/2" DIAL
21	1	GAUGE PRES 1/4" NPS 0/66PSIG BRS 2 1/2" DIAL
22	1	GAUGE PRES 1/4" NPS 0/15PSIG BRS 2 1/2" DIAL
23	1	GAUGE TEMP 1/2"NPS 20/240F-10/110C 3" DIAL
24	1	GAUGE LEVEL 12" LONG X 1/2" NPS AL/BRS/NT
25	2	SWITCH LEVEL 1" NPS XP BRS/SS
26	1	SWITCH HI-TEMP 1/2" NPS N4 NC OPEN 9225F
27	1	HEAT EXCHANGER 22 X 30 1-PASS AM/LIQUID
28	1	FILTER SILENCER 1 1/4 NPS 60 SFTW
29	1	Y-STRAINER 1 1/2" NPS CI 20 MESH
30	1	SEPARATION ELEMENT TRO200-1000 GALV
31	1	DRIVE BELT 4/SV9530 BAND
32	1	SLIDE BASE 326T FRAME CS
33	1	OD SHEAVE 4-GROOVE 1 1/2" OD
34	1	OD BUSHING TYPE E 60mm BORE
35	1	OD BUSHING TYPE E 60mm BORE
36	1	OD BUSHING TYPE E 60mm BORE
37	1	VALVE BALL 1/2" NPS SP BRS/SS/PITE
38	1	VALVE BALL 3/4" NPS SP BRS/SS/PITE
39	2	VALVE BALL 1 1/2" NPS IP BRS/SS/PITE
40	2	VALVE BUTTERFLY 1 1/4" NPS BRS/SS
41	1	VALVE CHECK HINGE 4" NPS CS/AL/BUNA
42	1	VALVE GLOBE 1 1/4" NPS BRONZE/TETON
43	1	VALVE TEMP CONTROL 1" NPS 170F C/BUNA
44	1	VALVE THEROCK 1/4" MNPT BRS
45	1	SEPARATION OIL 4" FLANGED INLET TRH SERIES CS
46	1	V-BELT GUARD TR0700-100S 1470 SW X 9 1/470 SW
47	2	BRACKET HEAT EXCHANGER
48	1	BRACKET U BOLT 3/4" PIPE CS
49	1	BRACKET U BOLT 1-1/4" PIPE CS
50	2	BRACKET U BOLT 1-1/2" PIPE CS
51	1	BRACKET U BOLT 1-1/2" PIPE CS
52	1	BASEPLATE OILSEALED TRO700S-TRO950H
53	1	OIL DRAINAGE (GAL) NOT SHOWN
54	44	WACUUM PUMP LIQUID RING 1 STAGE WCHG SEAL
55	1	WACUUM PUMP LIQUID RING 1 STAGE WCHG SEAL

- SYSTEM NOTES:**
- 1) LOCATE VACUUM SYSTEM ON A FLAT LEVEL SURFACE
  - 2) PUMP EMPTY POINTS TO BE BRACKET SUPPORTED.
  - 3) PUMP EMPTY POINTS TO BE BRACKET SUPPORTED.
  - 4) PUMP EMPTY POINTS TO BE BRACKET SUPPORTED.
  - 5) HEAD #19 TO BE MOUNTED ON SUFFICIENT RISER BLOCKS IF NECESSARY.
  - 6) WELD TO SUIT ALL DISCHARGE PIPING.

REV	DESCRIPTION	DATE	APPR
REVISIONS			

THIS PRINT IS PROPERTY OF TRAWANI PUMPS USA, INC. AND MAY NOT BE GIVEN TO ANY OTHER CONCERN WITHOUT THE CONSENT OF TRAWANI PUMPS USA, INC.

**TOLERANCES**

DECIMAL 3. 0025"  
FRACTIONAL 3/16"  
ANGULAR 3 0' 30" 00"

UNLESS OTHERWISE SPECIFIED IN DRAWING

SCALE: 1" = 10"

DECIMAL	3. 0025"
DWG BR:	11/2/15
CHK BR:	
DATE	
APPROVED BY:	

DESCRIPTION	MODEL NO.	DWG NO.	REV
GENERAL ARRANGEMENT DRAWING	TRO700S-1A		
	TRO700S-1A		

Label Bag & Heavy Duty Vacuum Pumping and Systems