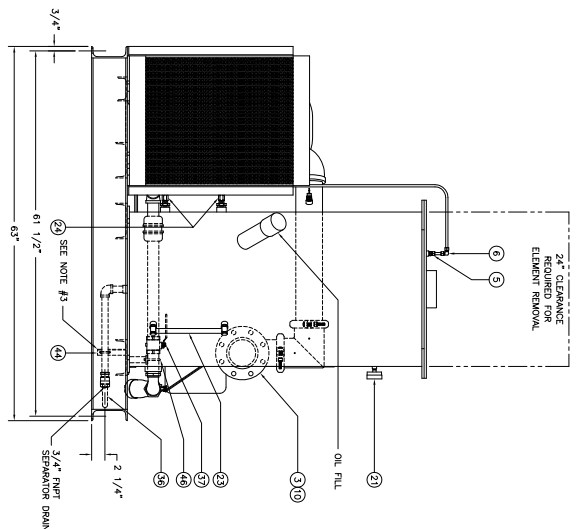
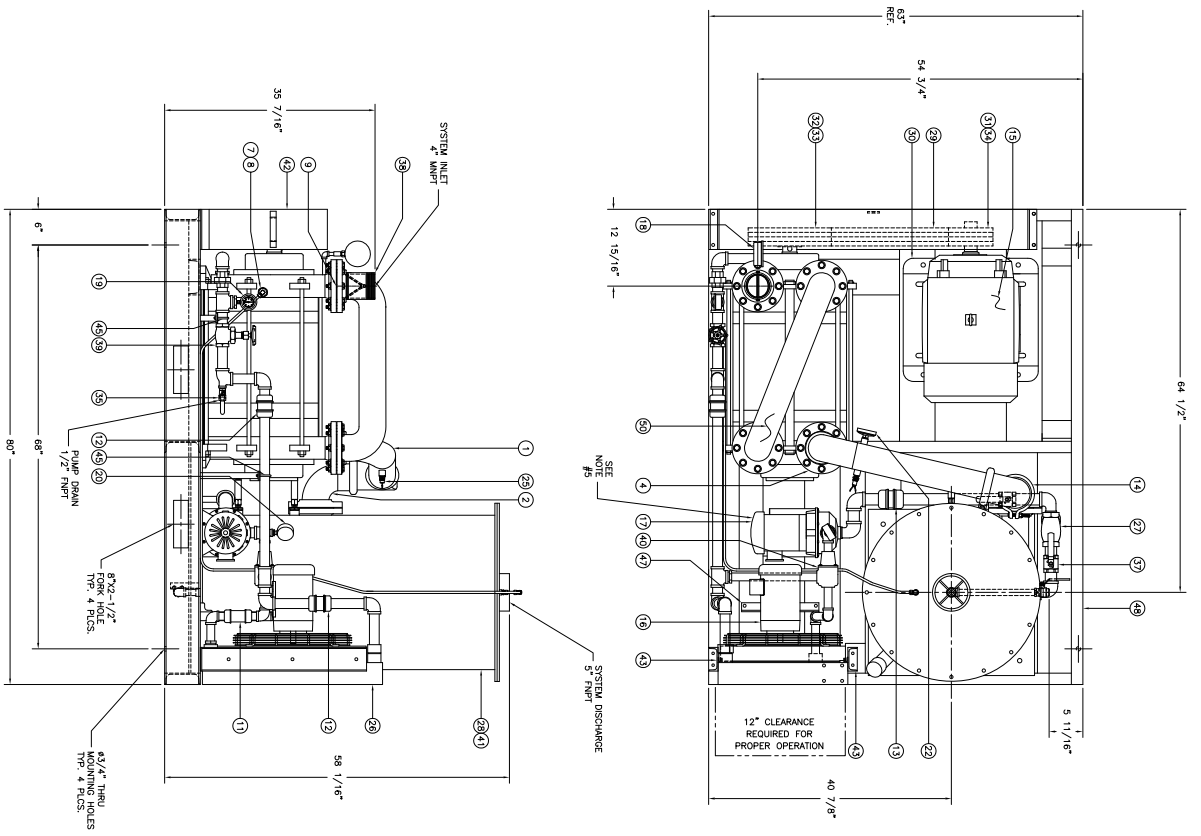


GENERAL ARRANGEMENT DRAWING ONLY



ITEM	QTY	DESCRIPTION
1	1	ELBOW 4" NPS LONG RADIUS 90° BUTT WELD CS
2	1	ELBOW 4" NPS SHORT RADIUS 90° BUTT WELD CS
3	1	FLANGE 4" NPS 150# RF SUP ON CS
4	1	FLANGE WELD-NECK DIN 125 4" NPS CS
5	1	FITTING 3/8" NMPF X 3/8" TUBE STRT BRG/MON
6	1	FITTING 3/8" X 3/8" TUBE
7	1	FITTING 3/8" NMPF X 3/8" TUBE 90° BRG/MTRLE
8	1	INSERT FOR 3/8" PLASTIC TUBE
9	2	FLAT GASKET 6 7/8" OD X 4 9/16" ID
10	1	FLAT GASKET 7" OD X 4" ID
11	1	FLEX COUPLING 1" NPS CS/MTRLE
12	2	FLEX COUPLING 1 1/4" NPS CS/MTRLE
13	1	FLEX COUPLING 1 1/2" NPS CS/MTRLE
14	1	FLEX COUPLING 4" NPS 90° CS/BUNA
15	1	MOTOR 50 HP 4P TFC 328T PREM. EFF.
16	1	MOTOR 1.5 HP 4P TFC 1451C PREM. EFF.
17	1	PUMP CENTRIFUGAL 1 HP 2P 230/460V
18	1	GAUGE VACUUM 1/4"NPS 0-30"HG BRG
19	1	GAUGE COMPOUND 1/4"NPS 30/0/15 BRG
20	1	GAUGE PRESSURE 1/4"NPS 0/60/PSIG BRG
21	1	GAUGE PRESSURE 1/4"NPS 0/15PSIG BRG
22	1	GAUGE TEMP 1/2" NPS 20/240T-10/110C
23	1	GAUGE LEVEL 12" LG X 1/2" NPS AL/BRG/MIT
24	2	SWITCH LEVEL 1" XP BRGSS
25	1	SWITCH HI-TEMP 1/2" NPS N4 NC 225F
26	1	HEAT EXCHANGER 22" X 30" 1-PASS AIR/LIO
27	1	Y-STRAINER 1 1/2" NPS CI
28	1	SEPARATOR ELEMENT TR0700-1000 GALV
29	1	DRIVE BELT 4/SVX950 BAND W/4 GROOVE
30	1	SLIDE BASE 326T FRAME
31	1	OD SHAFT 4-GROOVE 7-1/2" OD
32	1	OD SHAFT 4-GROOVE 14" OD
33	1	OD BUSHING TYPE E 80mm BORE
34	1	OD BUSHING TYPE SF 2 1/8" BORE
35	1	VALVE BALL 1/2" NPS BRG/SS/PFTE
36	1	VALVE BALL 3/4" NPS BRG/SS/PFTE
37	2	VALVE BALL 1/2" NPS PP BRG
38	1	VALVE CHECK HINGE 4" NPS CS/BUNA
39	1	VALVE GLOBE 1 1/4" NPS BRONZE/TEFLON
40	1	VALVE TEMPERATURE CONTROL 1" NPS 170T CI
41	1	OIL SEPARATOR 4" INLET/DISCHARGE THH SERIES CS
42	1	V-BELT GUARD TR0700-1000S
43	2	BROCKET HEAT EXCHANGER
44	1	BROCKET U BOLT 3/4" NPS CS
45	2	BROCKET U BOLT 1 1/4"
46	1	BROCKET U BOLT 1 1/2"
47	1	BROCKET MOTOR SUPPORT 1.5 HP MR & 26"X27" HEAT EXCH
48	1	BASEPLATE OIL SEALED TR0700S-TR01000S
49	1	OIL DRYALUBE (GALION) NOT SHOWN
50	1	VACUUM PUMP LIQUID RING 2 STAGE WEGH SEAL

SECTION NOTES AND SECURE VACUUM SYSTEM ON A FLAT LEVEL SURFACE.
 1) FILL EMPTY PORTS WITH SQUARE HEAD NPT PIPE PLUGS.
 2) WELD TO SHIF ALL DISCHARGE PIPING.
 3) ITEM #17 TO BE MOUNTED ON SUFFICIENT RISER BLOCKS IF NECESSARY.

THIS PRINT IS PROPERTY OF TRAWANI PUMPS USA, INC. AND MAY NOT BE GIVEN TO ANY OTHER CONCERN WITHOUT THE CONSENT OF TRAWANI PUMPS USA, INC.

TOLERANCES

DECIMAL ± .0025"
 FRACTIONAL ± 1/16"
 ANGULAR ± 9' 30" 00"
 UNLESS OTHERWISE SPECIFIED IN DRAWING

VARIOUS

DESCRIPTION: TRO75OH-1A
 GENERAL ARRANGEMENT DRAWING

SCALE: 1 = 10

REV	DESCRIPTION	DATE	APPR

TRAWANI PUMPS USA
United King & Norway have been licensed by and System