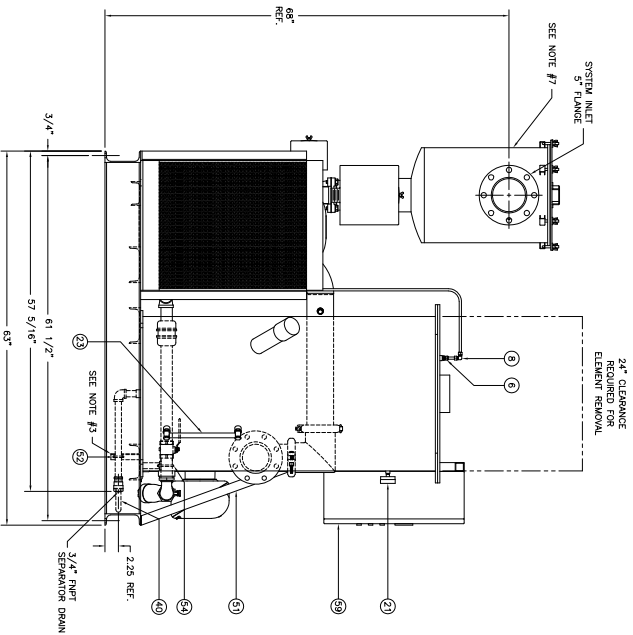
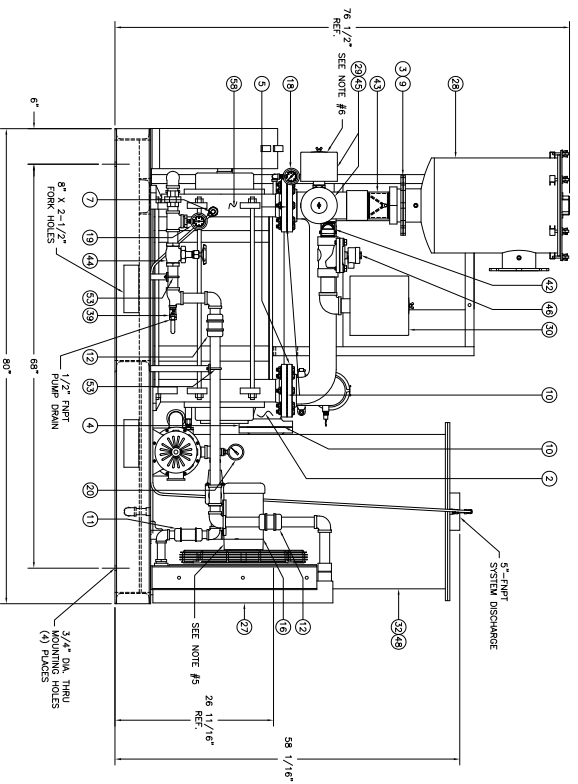
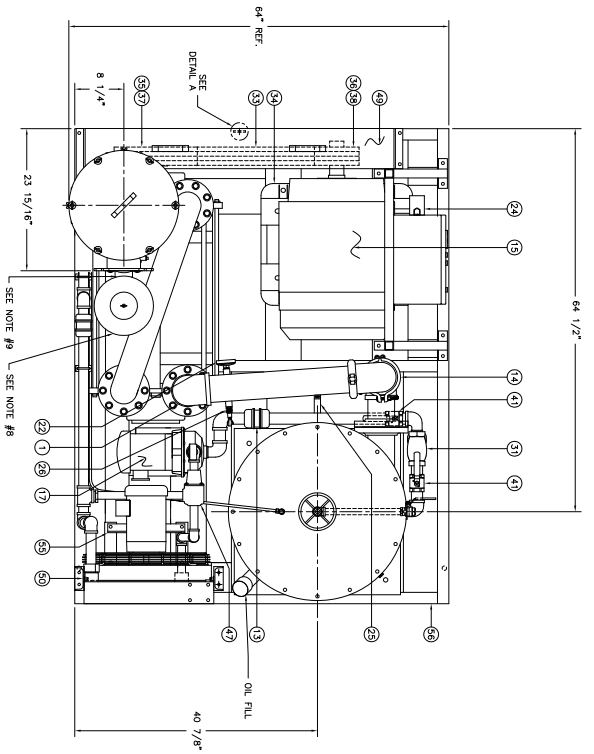


GENERAL ARRANGEMENT DRAWING ONLY



ITEM	QTY	DESCRIPTION
1	1	ELBOW 4" LARGE RADIUS 90° BUTTWELD
2	1	ELBOW 4" SHORT RADIUS 90° BUTTWELD
3	1	FLANGE 5" 150# RF THD CS
4	4	FLANGE 4" 150# RF SLIP ON CS
5	2	FLANGE WELD-NECK DN 125 CS 4" NPS
6	1	FITTING 3/8" MNPT X 3/8" TUBE STRT BRG/MTR
7	1	FITTING 3/8" TUBE X 3/8" TUBE 90° BRG/MTR
8	1	FITTING 3/8" TUBE X 3/8" TUBE 90° BRG/MTR
9	1	GASKET FLAT 7-3/4" OD, X-5-9/16" ID
10	3	MANIFOLD GASKET 4-9/16" ID X 3/32 THK
11	1	FLEX COUPLING 1" NPT CS/MTRLE
12	2	FLEX COUPLING 1-1/4" NPT CS/MTRLE
13	1	FLEX COUPLING 1-1/2" NPT CS/MTRLE
14	1	FLEX COUPLING 4" NPT 90° CS/BUVA
15	1	MOTOR 60 HP 4P TERC 364T 3/60/230/480V
16	1	MOTOR 1.5 HP 4P TERC 1451C 3/208-230/480V
17	1	PUMP CENTRIFUGAL 1.5 HP 2P 230/480V
18	1	VACUUM GAUGE 0-30"HG BRG 2-1/2" DIAL
19	1	COMPOUND GAUGE 30/0/15 BRG 2-1/2" DIAL
20	1	PRESSURE GAUGE 0/60 PSIG BRG 2-1/2" DIAL
21	1	PRESSURE GAUGE 0/15 PSIG BRG 2-1/2" DIAL
22	1	TEMPERATURE GAUGE 20/240F-10/110C 3" DIAL
23	1	LEVEL GAUGE 12" LG 1/2" NPT AL/BRG/MTR
24	1	SWITCH VACUUM NT NC/NO
25	1	SWITCH LEVEL 1" THD XP BRG/SSIT
26	1	HI-TEMP SWITCH N4 NC 229F
27	1	HEAT EXCHANGER 22" X 30" 1-PASS AH/UD
28	1	FILTER INLET 5"
29	2	FILTER SILENCER 1-1/4" THD.
30	1	FILTER SILENCER 2" THD.
31	1	Y-STRAINER 1-1/2" NPT CI 20 MESH
32	1	SEPARATOR ELEMENT TRO700-1000 GALV
33	1	DRIVE BELT 4/SW850 W/4 BELTS
34	1	SLIDE BASE 364T FRAME W/2 BOLTS
35	1	OD BRUSHING TYRE SF 2-3/8" BORE
36	1	VALVE BALL 1/2" THD SP BRG
37	1	VALVE BALL 3/4" NPT BRG/SS/PTEE
38	1	VALVE BALL 1-1/2" NPT BRG/SS
39	1	VALVE CHECK HINGED 2" THD CS/B
40	1	VALVE CHECK HINGED 4" NPT CS/AL/BUVA
41	1	VALVE GLOBE 1-1/4" NPT BRG/ZE/TELON
42	2	VALVE VACUUM REL 1-1/4" THD
43	1	VALVE SOL 2" THD NY NC CS/BUVA
44	1	TEMP CONTROL VALVE 1" NPT 170F CS/BUVA
45	1	OIL SEPARATOR 4" INLET TRH SERIES
46	1	V-BELT GUARD 30700-10005 14" OD SW X 3-1/4" OD SW
47	2	BRACKET 28" X 4" FOR HEAT EXCHANGER
48	1	BRACKET CONTROL PANEL
49	1	BRACKET U BOLT 3/4" PIPE
50	2	1-1/4" U-BOLT
51	1	BRACKET MOTOR SUPPORT 1-1/2 HP W/RT 2822Z HEAT EXCH
52	1	BASEPLATE OILSEALD TRO700S-TRO950H
53	1	OIL DRAINAGE (DUAL NOT SHOWN)
54	1	LIQUID RING VACUUM PUMP 2-SIG MECH SEAL
55	1	CONTROL PANEL 60HP 480V 24" X 15" X 8"

BILL OF MATERIALS

- SYSTEM NOTES:**
- 1) LOCATE VACUUM SYSTEM ON A FLAT LEVEL SURFACE.
 - 2) PLUG EMPTY PORTS WITH SQUARE HEAD NPT PIPE PLUGS.
 - 3) BRACKET SUPPORTS TO BE BRACKET SUPPORTED.
 - 4) MOTOR TO BE MOUNTED ON SUFFICIENT RISER BLOCK.
 - 5) REQUIRED CLEARANCE TO SERVICE ELEMENT IS 6".
 - 6) REQUIRED CLEARANCE TO SERVICE ELEMENT IS 10" FROM U.D.
 - 7) MUST BE ORENDED AS SHOWN.

THIS PRINT IS PROPERTY OF TRAWANI PUMPS USA, INC. AND MAY NOT BE GIVEN TO ANY OTHER CONCERN WITHOUT THE CONSENT OF TRAWANI PUMPS USA, INC.

TOLERANCES

DECIMAL ± .0025"
FRACTIONAL ± 1/32"
ANGULAR ± 0° 30' 00"
UNLESS OTHERWISE SPECIFIED IN DRAWING

TRAWANI PUMPS USA
Liquid Ring & Heavy Vapor Vacuum Pumping and Systems

DESCRIPTION: TRO950H-1A GENERAL ARRANGEMENT DRAWING
MODEL NO.: TRO950H-1A
DWG NO.: 1

REV	DESCRIPTION	DATE	APPR