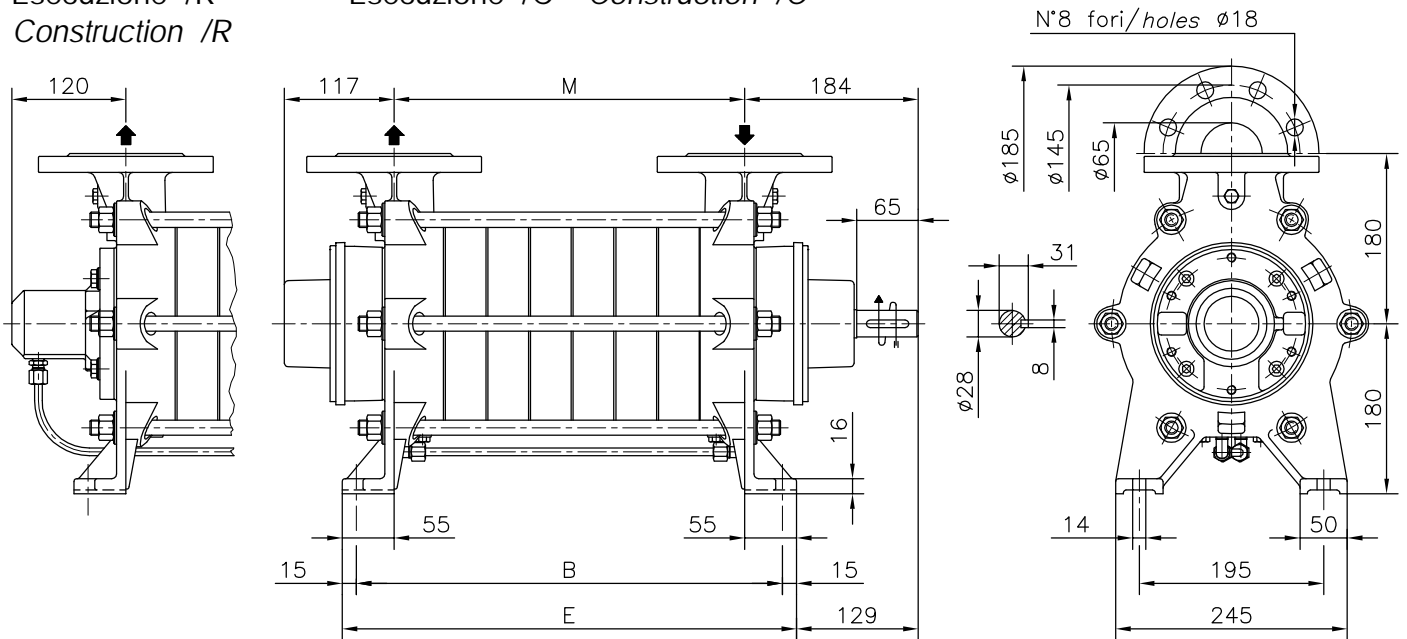


Versione ad ASSE NUDO *BARESHAFT construction*

Esecuzione /R  
 Construction /R

Esecuzione /C Construction /C



| POMPA TIPO<br><i>Pump type</i> | Versione ad ASSE NUDO        |     |     | <i>BARESHAFT construction</i> |                       |                       |
|--------------------------------|------------------------------|-----|-----|-------------------------------|-----------------------|-----------------------|
|                                | DIMENSIONI <i>Dimensions</i> |     |     | /R -/C                        | /R/T                  | /C/T                  |
|                                | M                            | B   | E   | Peso<br><i>Weight</i>         | Peso<br><i>Weight</i> | Peso<br><i>Weight</i> |
| TBH 651                        | 190                          | 270 | 300 | 52                            | 62                    | 72                    |
| TBH 652                        | 280                          | 360 | 390 | 67                            | 77                    | 87                    |
| TBH 653                        | 370                          | 450 | 480 | 82                            | 82                    | 92                    |
| TBH 654                        | 460                          | 540 | 570 | 97                            | 107                   | 117                   |
| TBH 655                        | 550                          | 630 | 660 | 112                           | 122                   | 132                   |
| TBH 656                        | 640                          | 720 | 750 | 127                           | 137                   | 147                   |
| TBH 657                        | 730                          | 810 | 840 | 142                           | 152                   | 162                   |
| TBH 658                        | 820                          | 900 | 930 | 157                           | 167                   | 177                   |

FLANGE:  
 Dimensioni secondo  
 UNI 2223-2229 PN40

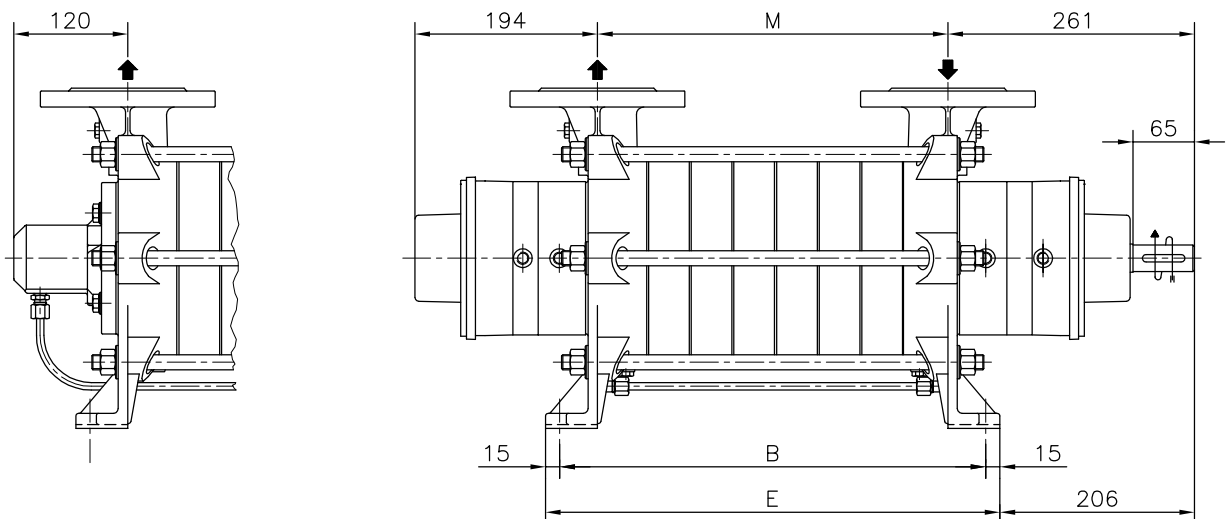
FLANGES:  
 Dimensions to  
 UNI 2223-2229 NP40 standards

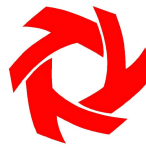
Disegno schematico. Dimensioni in mm con tolleranze secondo EN 735-1995. Pesi indicativi in Kg, riferiti a pompe in ghisa escluso motore, non impegnativi.

Schematic drawing. Dimensions in mm with tolerances to EN 735-1995 standards. Weights in Kgs, referred to pumps in cast iron without motor, not certified.

Esecuzione /R/T  
 Construction /R/T

Esecuzione /C/T Construction /C/T

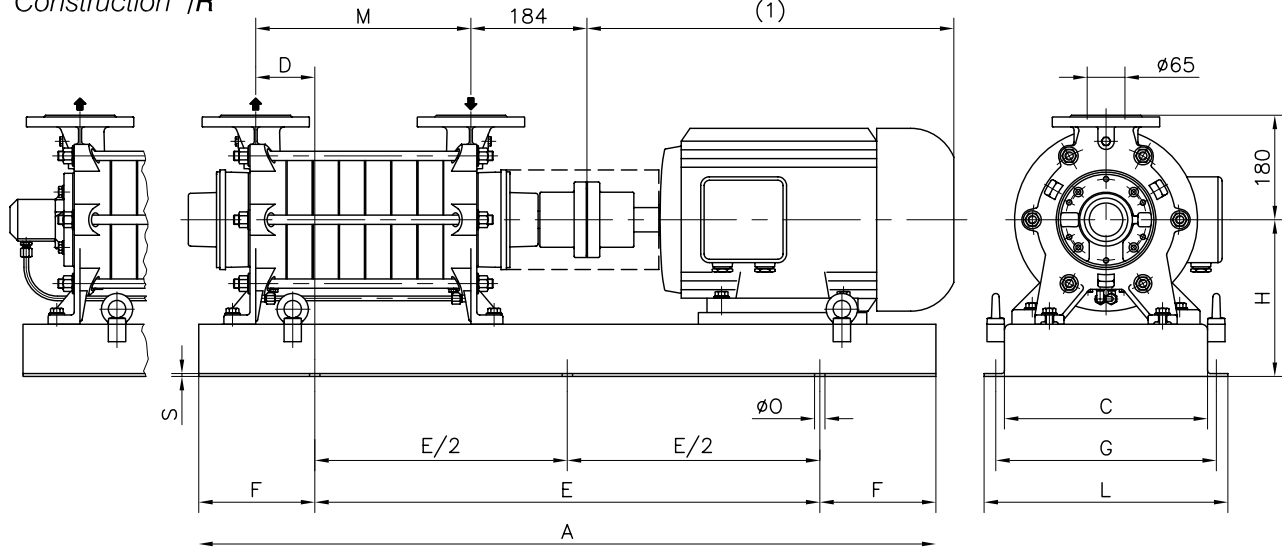




Versione **ACCOPPIATA (BASE-GIUNTO)**  
**COUPLED construction (BASEPLATE-COUPLING)**

Esecuzione /R  
 Construction /R

Esecuzione /C Construction /C



**FLANGE:** Dimensioni secondo UNI 2223-2229 PN40

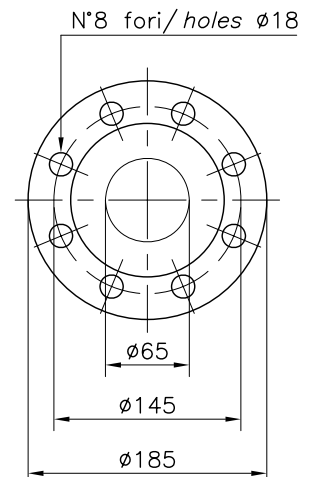
**FLANGES:** Dimensions to UNI 2223-2229 NP40 standards

| POMPA TIPO<br>Pump type | M   | MOTORE ELETTRICO<br>Electric motor |     |     |             |             |     |     |             |             |     |     |             |      |     |     |             |             |     |     |             |  |
|-------------------------|-----|------------------------------------|-----|-----|-------------|-------------|-----|-----|-------------|-------------|-----|-----|-------------|------|-----|-----|-------------|-------------|-----|-----|-------------|--|
|                         |     | 132S / 132M                        |     |     |             | 160M / 160L |     |     |             | 180M / 180L |     |     |             | 200L |     |     |             | 225S / 225M |     |     |             |  |
|                         |     | N°                                 | D   | H   | Peso Weight | N°          | D   | H   | Peso Weight | N°          | D   | H   | Peso Weight | N°   | D   | H   | Peso Weight | N°          | D   | H   | Peso Weight |  |
| TBH 651                 | 190 | 900                                | 75  | 245 | 92          | 903         | 55  | 270 | 118         |             |     |     |             |      |     |     |             |             |     |     |             |  |
| TBH 652                 | 280 | 900                                | 120 | 245 | 107         | 903         | 100 | 270 | 133         | 907         | 45  | 280 | 150         |      |     |     |             |             |     |     |             |  |
| TBH 653                 | 370 | 903                                | 80  | 270 | 142         | 903         | 145 | 270 | 148         | 907         | 70  | 280 | 165         | 907  | 95  | 300 | 184         | 034         | 0   | 355 | 207         |  |
| TBH 654                 | 460 | 903                                | 125 | 270 | 157         | 906         | 100 | 280 | 184         | 041         | 130 | 310 | 187         | 041  | 165 | 330 | 199         | 034         | 50  | 355 | 222         |  |
| TBH 655                 | 550 | 906                                | 120 | 280 | 191         | 906         | 145 | 280 | 199         | 034         | 75  | 310 | 200         | 034  | 100 | 330 | 232         | 034         | 135 | 355 | 237         |  |
| TBH 656                 | 640 |                                    |     |     |             |             |     |     |             |             |     |     |             |      |     |     |             | 034         | 160 | 355 | 252         |  |
| TBH 657                 | 730 |                                    |     |     |             |             |     |     |             |             |     |     |             |      |     |     |             | 034         | 230 | 355 | 267         |  |
| TBH 658                 | 820 |                                    |     |     |             |             |     |     |             |             |     |     |             |      |     |     |             |             |     |     |             |  |

| POMPA TIPO<br>Pump type | M   | 250M |     |     |             | 280S / 280M |     |     |             |
|-------------------------|-----|------|-----|-----|-------------|-------------|-----|-----|-------------|
|                         |     | N°   | D   | H   | Peso Weight | N°          | D   | H   | Peso Weight |
| TBH 651                 | 190 |      |     |     |             |             |     |     |             |
| TBH 652                 | 280 |      |     |     |             |             |     |     |             |
| TBH 653                 | 370 |      |     |     |             |             |     |     |             |
| TBH 654                 | 460 |      |     |     |             |             |     |     |             |
| TBH 655                 | 550 | 034  | 165 | 380 | 240         |             |     |     |             |
| TBH 656                 | 640 | 042  | 145 | 380 | 280         | 039         | 20  | 415 | 285         |
| TBH 657                 | 730 | 039  | 50  | 385 | 295         | 039         | 90  | 415 | 300         |
| TBH 658                 | 820 | 039  | 140 | 385 | 300         | 039         | 160 | 415 | 315         |

**MOTORI ELETTRICI  
 Electric Motors**

| Grandezza<br>Frame size<br>IEC | Giri/min.<br>RPM<br>1450 |
|--------------------------------|--------------------------|
|                                | Kw                       |
| 132S                           | 5,5                      |
| 132M                           | 7,5                      |
| 160M                           | 11                       |
| 160L                           | 15                       |
| 180M                           | 18,5                     |
| 180L                           | 22                       |
| 200L                           | 30                       |
| 225S                           | 37                       |
| 225M                           | 45                       |
| 250M                           | 55                       |
| 280S                           | 75                       |
| 280M                           | 90                       |



| BASAMENTI<br>Base plates |      |     |      |     |     |     |   |    |                  |
|--------------------------|------|-----|------|-----|-----|-----|---|----|------------------|
| N°                       | A    | C   | E    | F   | L   | G   | S | ØO | N° fori<br>holes |
| 900                      | 960  | 310 | 600  | 180 | 370 | 340 | 5 | 14 | 4                |
| 903                      | 1170 | 350 | 770  | 200 | 410 | 380 | 6 | 14 | 4                |
| 906                      | 1400 | 350 | 950  | 225 | 410 | 380 | 6 | 14 | 4                |
| 907                      | 1200 | 420 | 900  | 150 | 510 | 470 | 6 | 18 | 4                |
| 034                      | 1700 | 450 | 1100 | 300 | 590 | 540 | 7 | 18 | 4                |
| 039                      | 2150 | 540 | 1600 | 275 | 680 | 630 | 7 | 18 | 6                |
| 041                      | 1350 | 420 | 900  | 225 | 560 | 510 | 7 | 18 | 4                |
| 042                      | 1800 | 500 | 1400 | 200 | 640 | 590 | 7 | 18 | 6                |

Disegno schematico. Dimensioni in mm con tolleranze secondo EN 735-1995. Pesì indicativi in Kg, riferiti a pompe in ghisa escluso motore, non impegnativi.  
 Schematic drawing. Dimensions in mm with tolerances to EN 735-1995 standards. Weights in Kgs, referred to pumps in cast iron without motor, not certified.

(1) Dimensioni in funzione della marca del motore installato. (1) Not certified dimensions according to installed motor manufacture.

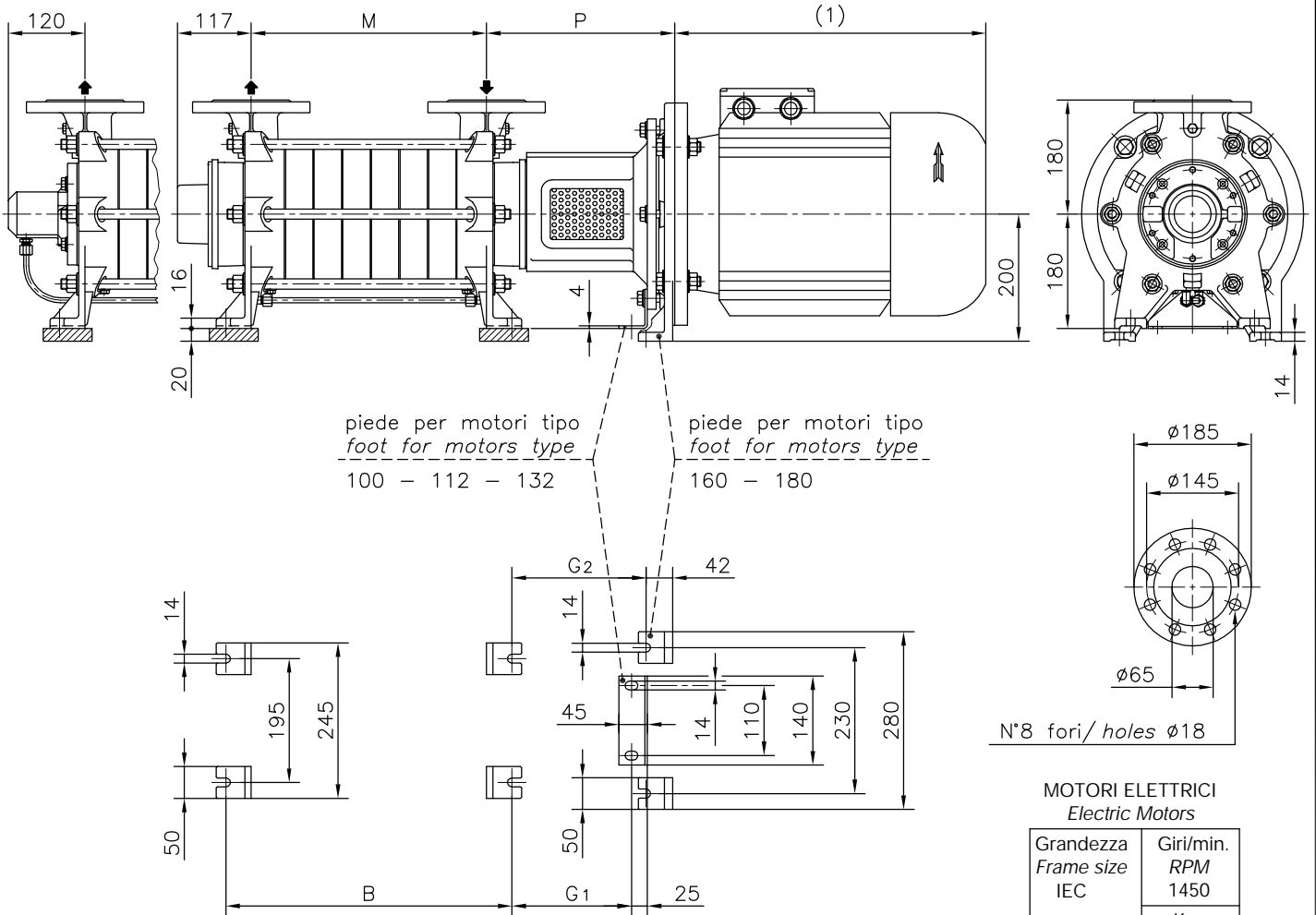
DIMENSIONE D'INGOMBRO / Overall dimensions  
 POMPE CENTRIFUGHE AUTOADESCANTI  
 Self-priming centrifugal pumps  
 SERIE / Series  
 TBH 650 / 2



200 Newsome Drive  
 Yorktown, VA 23693  
 1-800-535-4243  
 www.Travaini.com

Versione MONOBLOCCO/M CLOSE - COUPLED/M construction

Esecuzione /R Esecuzione /C Construction /C  
 Construction /R



MOTORI ELETTRICI  
 Electric Motors

| Grandezza<br>Frame size<br>IEC | Giri/min.<br>RPM<br>1450 |
|--------------------------------|--------------------------|
|                                | Kw                       |
| 100L                           | 2,2<br>3                 |
| 112M                           | 4                        |
| 132S                           | 5,5                      |
| 132M                           | 7,5                      |
| 160M                           | 11                       |
| 160L                           | 15                       |
| 180M                           | 18,5                     |
| 180L                           | 22                       |

FLANGE: Dimensioni secondo UNI 2223 - 2229 PN40  
 FLANGES: Dimensions to UNI 2223-2229 NP40 standards  
 Disegno schematico. Dimensioni in mm con tolleranze secondo EN 735 - 1995.  
 Pesi indicativi in Kg, riferiti a pompe in ghisa escluso motore, non impegnativi.  
 Schematic drawing. Dimensions in mm with tolerances to EN 735 - 1995 standards.  
 Weights in Kgs, referred to pumps in cast iron without motor, not certified.  
 (1) Dimensioni in funzione della marca del motore installato.  
 (1) Not certified dimensions according to installed motor manufacture.

| POMPA TIPO<br>Pump type | Versione MONOBLOCCO |     |                        |                |             |                  | CLOSE-COUPLED construction |             |                        |                |             |  |
|-------------------------|---------------------|-----|------------------------|----------------|-------------|------------------|----------------------------|-------------|------------------------|----------------|-------------|--|
|                         |                     |     | motore motor 100 - 112 |                |             | motore motor 132 |                            |             | motore motor 160 - 180 |                |             |  |
|                         | M                   | B   | P                      | G <sub>1</sub> | Peso Weight | P                | G <sub>1</sub>             | Peso Weight | P                      | G <sub>2</sub> | Peso Weight |  |
| TBH 651                 | 190                 | 270 | 245.5                  | 165            | 69          | 267              | 189                        | 71          | 296                    | 211            | 83          |  |
| TBH 652                 | 280                 | 360 | 245.5                  | 165            | 84          | 267              | 189                        | 86          | 296                    | 211            | 98          |  |
| TBH 653                 | 370                 | 450 | 245.5                  | 165            | 99          | 267              | 189                        | 101         | 296                    | 211            | 113         |  |
| TBH 654                 | 460                 | 540 | 245.5                  | 165            | 114         | 267              | 189                        | 116         | 296                    | 211            | 128         |  |
| TBH 655                 | 550                 | 630 | 245.5                  | 165            | 129         | 267              | 189                        | 131         | 296                    | 211            | 143         |  |
| TBH 656                 | 640                 | 720 | 245.5                  | 165            | 144         | 267              | 189                        | 146         | 296                    | 211            | 158         |  |
| TBH 657                 | 730                 | 810 | 245.5                  | 165            | 159         | 267              | 189                        | 161         | 296                    | 211            | 173         |  |
| TBH 658                 | 820                 | 900 | 245.5                  | 165            | 174         | 267              | 189                        | 176         | 296                    | 211            | 188         |  |

RIF. - Ref.: Z.A./C.T.

SOSTITUISCE - Replaces:

DATA - Date: APRILE 99 - April 99

N°.: 1037.2L2.201.01