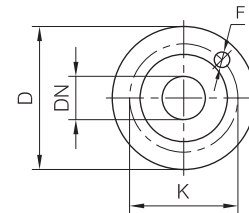


(h3) Spessori per allineamento motore-pompa esclusi dalla fornitura.
 Raising pads for motor-pump alignment are not supplied by pompetravaini.
 (1) Dimensioni in funzione della marca del motore installato.
 Not certified dimensions according to installed motor manufacture.

FLANGE: Dimensioni secondo UNI 2223 - 2229 PN16
 FLANGES: Dimensions to UNI 2223-2229 NP16 standards



POMPA TIPO Pump type	Dimensioni costruttive Construction dimensions														
	gr.	DNa	DNm	a	h1	h2	b	c	m1	m2	n1	n2	s1	e1	e2
32-125	1	50	32	80	112	140	50	15	100	70	190	140	14	105	91
32-160	1	50	32	80	132	160	50	16	100	70	240	190	14	125	110
32-200	1	50	32	80	160	180	50	16	100	70	240	190	14	140	130
40-125	1	65	40	80	112	140	50	15	100	70	210	160	14	115	100
40-160	1	65	40	80	132	160	50	16	100	70	240	190	14	130	115
40-200	1	65	40	100	160	180	50	16	100	70	265	212	14	146	135
50-125	1	80	50	100	132	160	50	16	100	70	240	190	14	130	110
50-160	1	80	50	100	160	180	50	16	100	70	265	212	14	147	125
50-200	1	80	50	100	160	200	50	16	100	70	265	212	14	161	146
32-250	2	50	32	100	180	225	65	18	125	95	320	250	14	166	162
40-250	2	65	40	100	180	225	65	18	125	95	320	250	14	176	163
50-250	2	80	50	125	180	225	65	18	125	95	320	250	14	183	169
65-160	2	100	65	100	160	200	65	16	125	95	280	212	14	160	130
65-200	2	100	65	100	180	225	65	18	125	95	320	250	14	174	152
65-250	2	100	65	125	200	250	80	20	160	120	360	280	18	195	175
80-160	2	125	80	125	180	225	65	16	125	95	320	250	14	186	142
80-200	2	125	80	125	180	250	65	18	125	95	345	280	14	188	158
80-250	2	125	80	125	225	280	80	20	160	120	400	315	18	225	185
100-200	2	125	100	125	200	280	80	20	160	120	360	280	18	211	170

Dimensioni flange Flanges dimensions				
DNa-DNm	D	K	F	N° fori holes
25	115	85	14	4
32	140	100	18	4
40	150	110	18	4
50	165	125	18	4
65	185	145	18	4
80	200	160	18	8
100	220	180	18	8
125	250	210	18	8



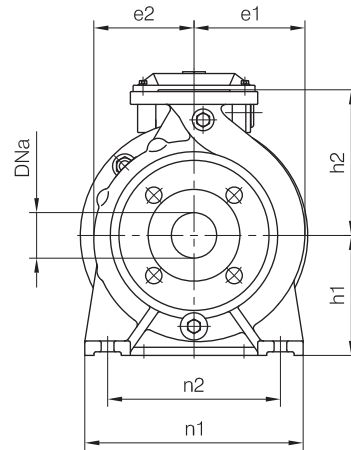
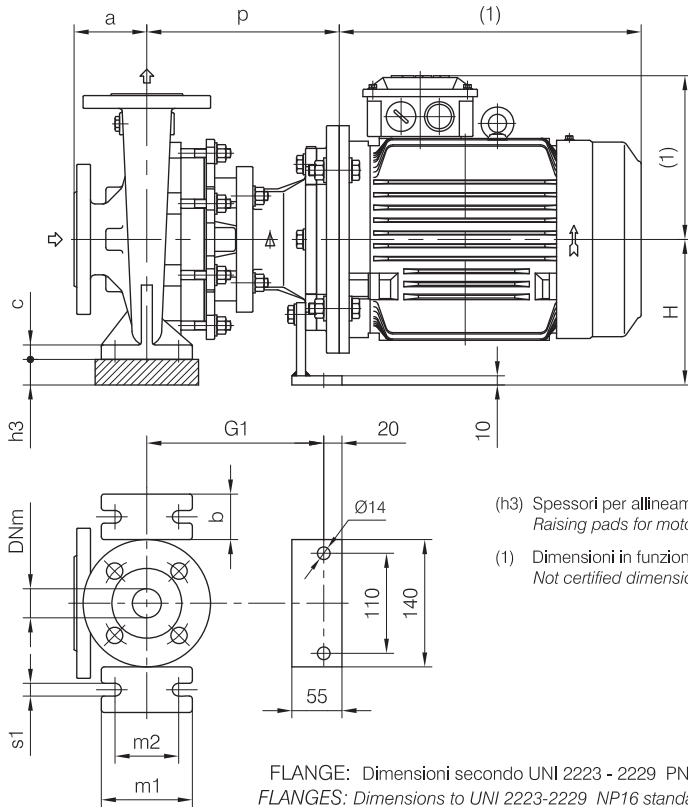
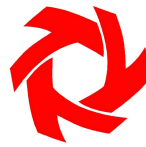
POMPA TIPO Pump type	motore motor 80-90				motore motor 100-112					motore motor 132					motore motor 160					motore motor 180
	gr.	p	G1	Peso Weight	p	G1	h3	H	Peso Weight	p	G1	h3	H	Peso Weight	p	G1	h3	H	Peso Weight	
32-125	1	180	138	26	205	138	20	132	30	229	137	48	160	31	258	137	68	180	44	
32-160	1	186.5	194.5	31	211.5	138	-	-	35	235.5	193.5	28	160	36	264.5	193.5	48	180	49.5	
32-200	1	186.5	194.5	39	211.5	194.5	-	-	43	235.5	193.5	-	160	44.5	264.5	193.5	20	180	57.5	
40-125	1	180	138	27.5	205	138	20	132	31.5	229	137	48	160	33	258	137	68	180	46	
40-160	1	186.5	194.5	32.5	211.5	138	-	-	36.5	235.5	193.5	28	160	37.5	264.5	193.5	48	180	51	
40-200	1	186.5	194.5	42	211.5	194.5	-	-	46	235.5	193.5	-	160	47	264.5	193.5	20	180	60.5	
50-125	1	180	141	32	205	141	-	-	36	229	140	28	160	37	258	140	48	180	50.5	
50-160	1	186.5	194.5	39	211.5	194.5	-	-	43	235.5	193.5	-	160	44	264.5	193.5	20	180	57	
50-200	1	186.5	194.5	46	211.5	194.5	-	-	50	235.5	193.5	-	160	51	264.5	193.5	20	180	64	
32-250	2	206.5	214.5	59	231.5	214.5	-	-	63	255.5	213.5	-	180	64.5	284.5	213.5	-	180	78	
40-250	2	208	216	60	233	216	-	-	64	257	215	-	180	65.5	286	215	-	180	79	
50-250	2	206.5	214.5	62.5	231.5	214.5	-	-	67	255.5	213.5	-	180	68	284.5	213.5	-	180	81.5	
65-160	2	201.5	209.5	47	226.5	209.5	-	-	51.5	250.5	208.5	-	160	52.5	279.5	208.5	20	180	66	
65-200	2	201.5	209.5	55	226.5	209.5	-	-	59.5	250.5	208.5	-	180	60.5	279.5	208.5	-	180	74	
65-250	2	213	221	73	238	221	-	-	77	262	220	-	200	78.5	291	220	-	200	92	
80-160	2	201.5	210.5	58.5	226.5	210.5	-	-	63	250.5	209.5	-	180	64	279.5	209.5	-	180	78	
80-200	2	200	208	61	225	208	-	-	65	249	207	-	180	66.5	278	207	-	180	80	
80-250	2	213	221	84	237.5	221	-	-	88	262	220	-	225	89.5	290.5	220	-	225	103	
100-200	2	204.5	209.5	75	229.5	209.5	-	-	79.5	253.5	208.5	-	200	81	282.5	208.5	-	200	94.5	

Vedere costruzione / See construction
TCTM /1-C/B35 gr.2

MOTORI ELETTRICI Electric Motors				
Grandezza Frame size IEC	Giri/min. RPM 1450		Giri/min. RPM 2900	
	kW	HP	kW	HP
80 M	0.55	0.7	0.75	1
	0.75	1	1.1	1.5
90 S	1.1	1.5	1.5	2
90 L	1.5	2	2.2	3
100 L	2.2	3	3	4
	3	4		
112 M	4	5.5	4	5.5
132 S	5.5	7.5	5.5-7.5	7.5-10
132 M	7.5	10		
160 M	11	15	11-15	15-20
160 L	15	20	18.5	25
180 M	18.5	25	22	30
180 L	22	30		

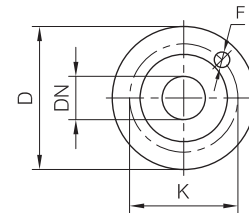
(h3) Spessori per allineamento motore-pompa esclusi dalla fornitura.
 Raising pads for motor-pump alignment are not supplied by pompetravaini.

Disegno schematico. Dimensioni in mm con tolleranze secondo EN 735-1995.
 Pesì indicativi in Kg, riferiti a pompe in ghisa escluso motore, non impegnativi.
 Schematic drawing. Dimensions in mm with tolerances to EN 735-1995 standards.
 Weights in Kgs, referred to pumps in cast iron without motor, not certified.



(h3) Spessori per allineamento motore-pompa esclusi dalla fornitura.
 Raising pads for motor-pump alignment are not supplied by pompetravaini.
 (1) Dimensioni in funzione della marca del motore installato.
 Not certified dimensions according to installed motor manufacture.

FLANGE: Dimensioni secondo UNI 2223 - 2229 PN16
 FLANGES: Dimensions to UNI 2223-2229 NP16 standards



POMPA TIPO Pump type	Dimensioni costruttive Construction dimensions														
	gr.	DNa	DNm	a	h1	h2	b	c	m1	m2	n1	n2	s1	e1	e2
32-125	1	50	32	80	112	140	50	15	100	70	190	140	14	105	91
32-160	1	50	32	80	132	160	50	16	100	70	240	190	14	125	110
32-200	1	50	32	80	160	180	50	16	100	70	240	190	14	140	130
40-125	1	65	40	80	112	140	50	15	100	70	210	160	14	115	100
40-160	1	65	40	80	132	160	50	16	100	70	240	190	14	130	115
40-200	1	65	40	100	160	180	50	16	100	70	265	212	14	146	135
50-125	1	80	50	100	132	160	50	16	100	70	240	190	14	130	110
50-160	1	80	50	100	160	180	50	16	100	70	265	212	14	147	125
50-200	1	80	50	100	160	200	50	16	100	70	265	212	14	161	146
32-250	2	50	32	100	180	225	65	18	125	95	320	250	14	166	162
40-250	2	65	40	100	180	225	65	18	125	95	320	250	14	176	163
50-250	2	80	50	125	180	225	65	18	125	95	320	250	14	183	169
65-160	2	100	65	100	160	200	65	16	125	95	280	212	14	160	130
65-200	2	100	65	100	180	225	65	18	125	95	320	250	14	174	152
65-250	2	100	65	125	200	250	80	20	160	120	360	280	18	195	175
80-160	2	125	80	125	180	225	65	16	125	95	320	250	14	186	142
80-200	2	125	80	125	180	250	65	18	125	95	345	280	14	188	158
80-250	2	125	80	125	225	280	80	20	160	120	400	315	18	225	185
100-200	2	125	100	125	200	280	80	20	160	120	360	280	18	211	170

Dimensioni flange Flanges dimensions				
DNa-DNm	D	K	F	N° fori holes
25	115	85	14	4
32	140	100	18	4
40	150	110	18	4
50	165	125	18	4
65	185	145	18	4
80	200	160	18	8
100	220	180	18	8
125	250	210	18	8



POMPA TIPO Pump type	motore motor 80-90				motore motor 100-112					motore motor 132					motore motor 160					motore motor 180
	gr.	p	G1	Peso Weight	p	G1	h3	H	Peso Weight	p	G1	h3	H	Peso Weight	p	G1	h3	H	Peso Weight	
32-125	1	180	138	26	205	138	20	132	30	229	137	48	160	31	258	137	68	180	44	
32-160	1	186.5	194.5	31	211.5	138	-	-	35	235.5	193.5	28	160	36	264.5	193.5	48	180	49.5	
32-200	1	186.5	194.5	39	211.5	194.5	-	-	43	235.5	193.5	-	160	44.5	264.5	193.5	20	180	57.5	
40-125	1	180	138	27.5	205	138	20	132	31.5	229	137	48	160	33	258	137	68	180	46	
40-160	1	186.5	194.5	32.5	211.5	138	-	-	36.5	235.5	193.5	28	160	37.5	264.5	193.5	48	180	51	
40-200	1	186.5	194.5	42	211.5	194.5	-	-	46	235.5	193.5	-	160	47	264.5	193.5	20	180	60.5	
50-125	1	180	141	32	205	141	-	-	36	229	140	28	160	37	258	140	48	180	50.5	
50-160	1	186.5	194.5	39	211.5	194.5	-	-	43	235.5	193.5	-	160	44	264.5	193.5	20	180	57	
50-200	1	186.5	194.5	46	211.5	194.5	-	-	50	235.5	193.5	-	160	51	264.5	193.5	20	180	64	
32-250	2	206.5	214.5	59	231.5	214.5	-	-	63	255.5	213.5	-	180	64.5	284.5	213.5	-	180	78	
40-250	2	208	216	60	233	216	-	-	64	257	215	-	180	65.5	286	215	-	180	79	
50-250	2	206.5	214.5	62.5	231.5	214.5	-	-	67	255.5	213.5	-	180	68	284.5	213.5	-	180	81.5	
65-160	2	201.5	209.5	47	226.5	209.5	-	-	51.5	250.5	208.5	-	160	52.5	279.5	208.5	20	180	66	
65-200	2	201.5	209.5	55	226.5	209.5	-	-	59.5	250.5	208.5	-	180	60.5	279.5	208.5	-	180	74	
65-250	2	213	221	73	238	221	-	-	77	262	220	-	200	78.5	291	220	-	200	92	
80-160	2	201.5	210.5	58.5	226.5	210.5	-	-	63	250.5	209.5	-	180	64	279.5	209.5	-	180	78	
80-200	2	200	208	61	225	208	-	-	65	249	207	-	180	66.5	278	207	-	180	80	
80-250	2	213	221	84	237.5	221	-	-	88	262	220	-	225	89.5	290.5	220	-	225	103	
100-200	2	204.5	209.5	75	229.5	209.5	-	-	79.5	253.5	208.5	-	200	81	282.5	208.5	-	200	94.5	

Vedere costruzione / See construction
TCTM /1-C/B35 gr.2

MOTORI ELETTRICI Electric Motors				
Grandezza Frame size IEC	Giri/min. RPM 1450		Giri/min. RPM 2900	
	kW	HP	kW	HP
80 M	0.55	0.7	0.75	1
	0.75	1	1.1	1.5
90 S	1.1	1.5	1.5	2
90 L	1.5	2	2.2	3
100 L	2.2	3	3	4
	3	4		
112 M	4	5.5	4	5.5
132 S	5.5	7.5	5.5-7.5	7.5-10
132 M	7.5	10		
160 M	11	15	11-15	15-20
160 L	15	20	18.5	25
180 M	18.5	25	22	30
180 L	22	30		

(h3) Spessori per allineamento motore-pompa esclusi dalla fornitura.
 Raising pads for motor-pump alignment are not supplied by pompetravaini.

Disegno schematico. Dimensioni in mm con tolleranze secondo EN 735-1995.
 Pesì indicativi in Kg, riferiti a pompe in ghisa escluso motore, non impegnativi.
 Schematic drawing. Dimensions in mm with tolerances to EN 735-1995 standards.
 Weights in Kgs, referred to pumps in cast iron without motor, not certified.