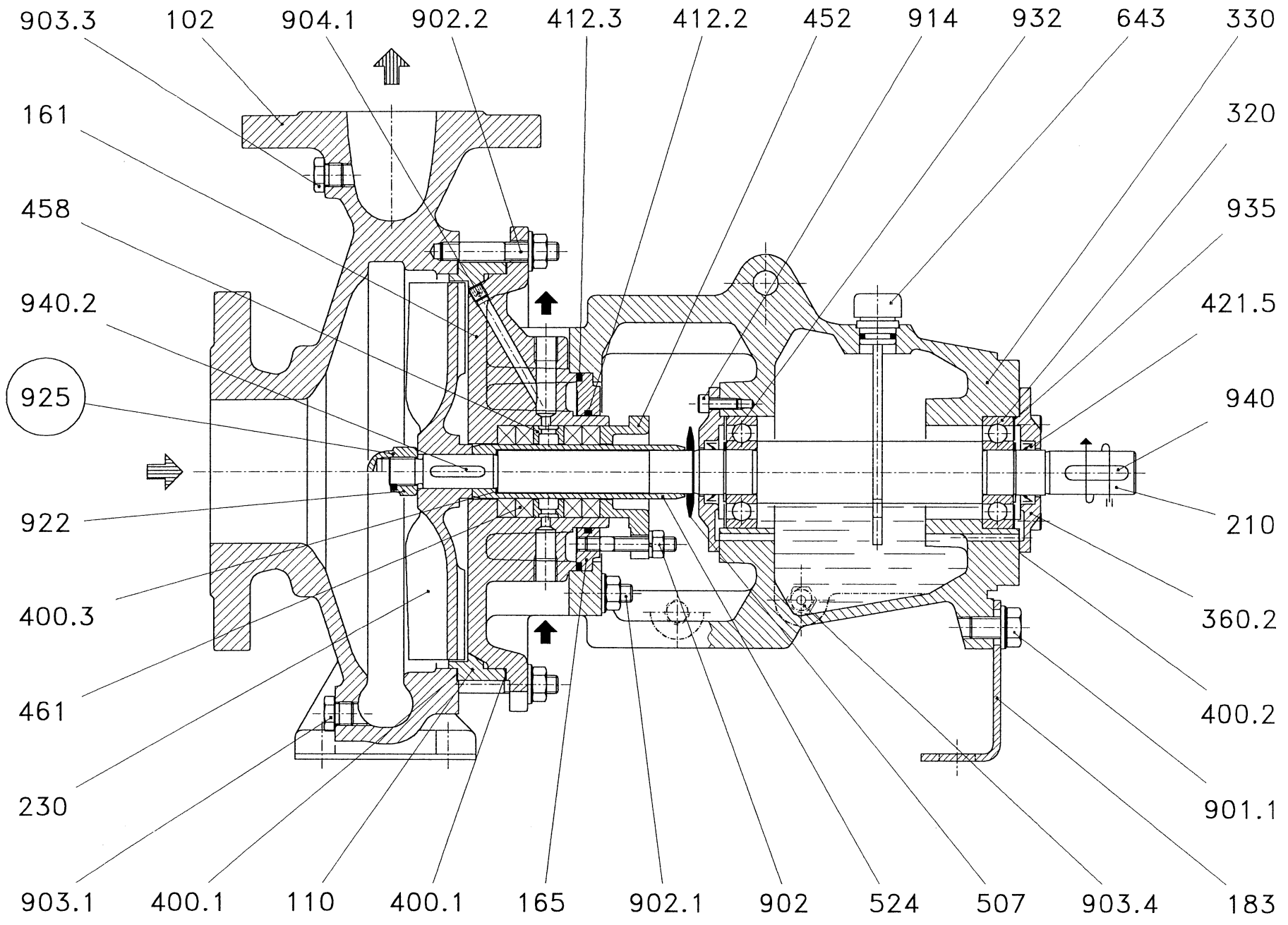


DISEGNO IN SEZIONE / SECTION DRAWING
 Pompe Serie / Pumps Series
TCT/1-B/L Gr. 1-2



**TRAVALINI
 PUMPS USA**
 Liquid Ring & Rotary Vane Vacuum Pumps and Systems

200 Newsome Drive
 Yorktown, VA 23693
 1-800-535-4243
 www.TravAlini.com



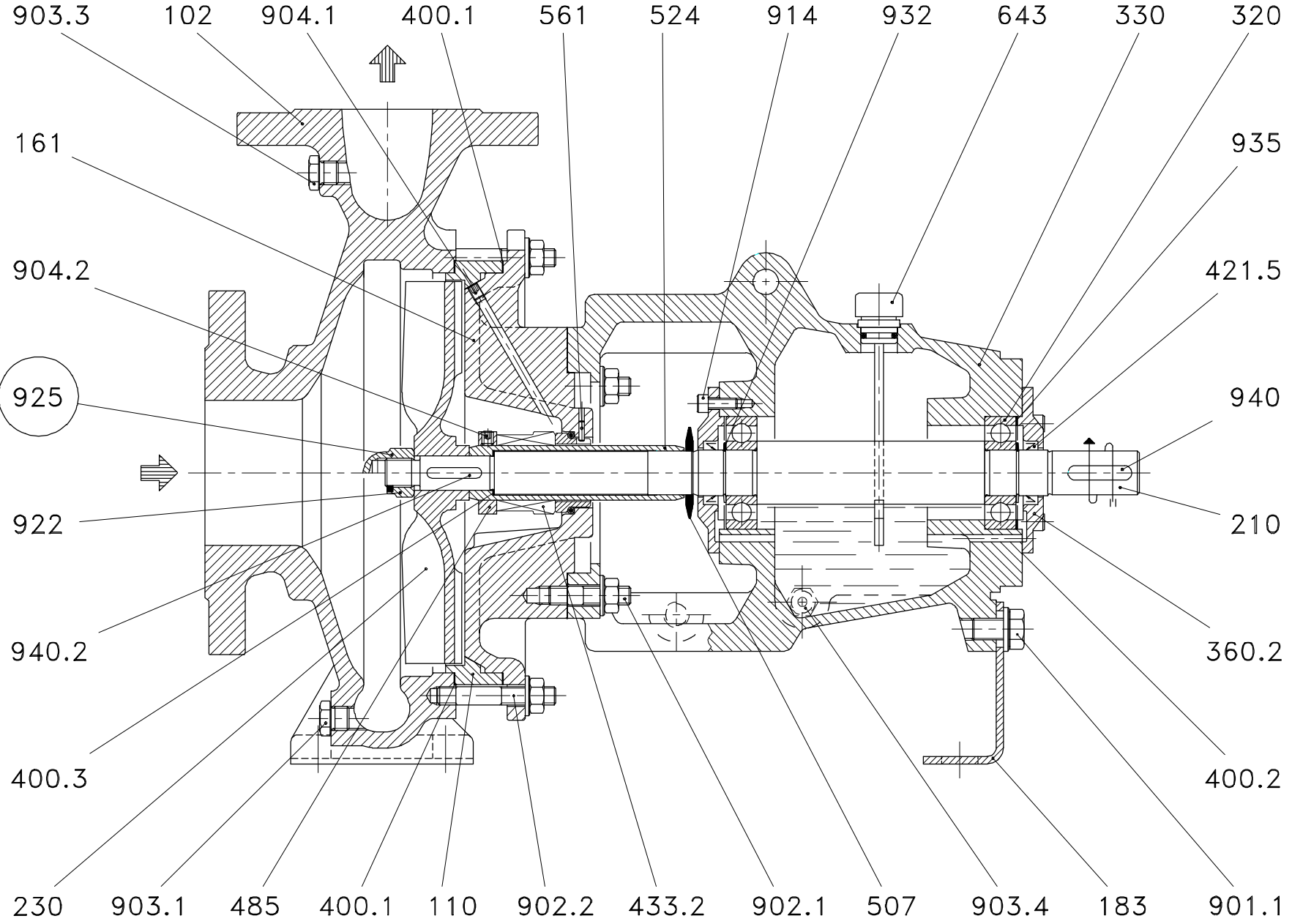
○ SOLO PER ESECUZIONE "A3-B2" / Only for "A3-B2" construction

RIF. - Ref.: Z.A./C.T.
 DATA - Date: Settembre 98 - September 98

SOSTITUISCE - Replaces: -
 N°.: 3901-02.1A1.301.01

DISEGNO IN SEZIONE / SECTION DRAWING
 Pompe Serie / Pumps Series
 TCT/1-C Gr. 1-2

TRAVAINI
PUMPS USA
 Liquid Ring & Rotary Vane Vacuum Pumps and Systems
 200 Newsome Drive
 Yorktown, VA 23693
 1-800-535-4243
 www.Travaini.com

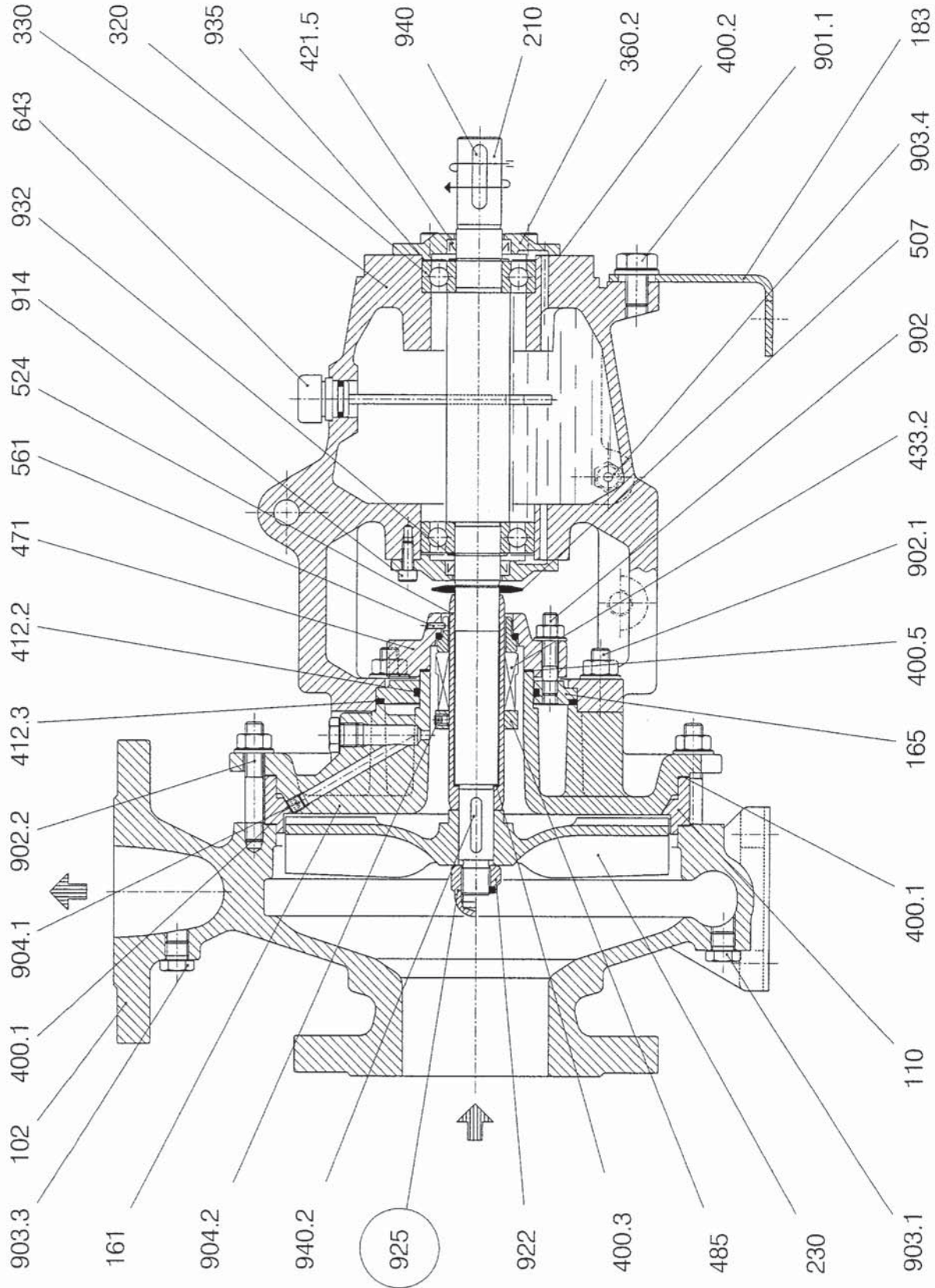


○ SOLO PER ESECUZIONE "A3-B2" / Only for "A3-B2" construction

RIF. - Ref.: Z.A./C.T.
 DATA - Date: Gennaio 97 - January 97

SOSTITUISCE - Replaces:
 N°.: 3901-02.1L1.3C0.01

TCT /1-R gr.1-2



○ SOLO PER ESECUZIONE "A3-B2" / Only for "A3-B2" construction

RIF. - Ref.: V.B./C.T.

SOSTITUISCE - Replaces:

DATA - Date: Ottobre 01 - October 01

N°.: 3901-02.1L1-360.01

TCT0006

Generic COMPONENTS of pumps



**TRAVAINI
PUMPS USA**
Liquid Ring & Rotary Vane Vacuum Pumps and Systems

200 Newsome Drive
Yorktown, VA 23693
1-800-535-4243
www.Travaini.com

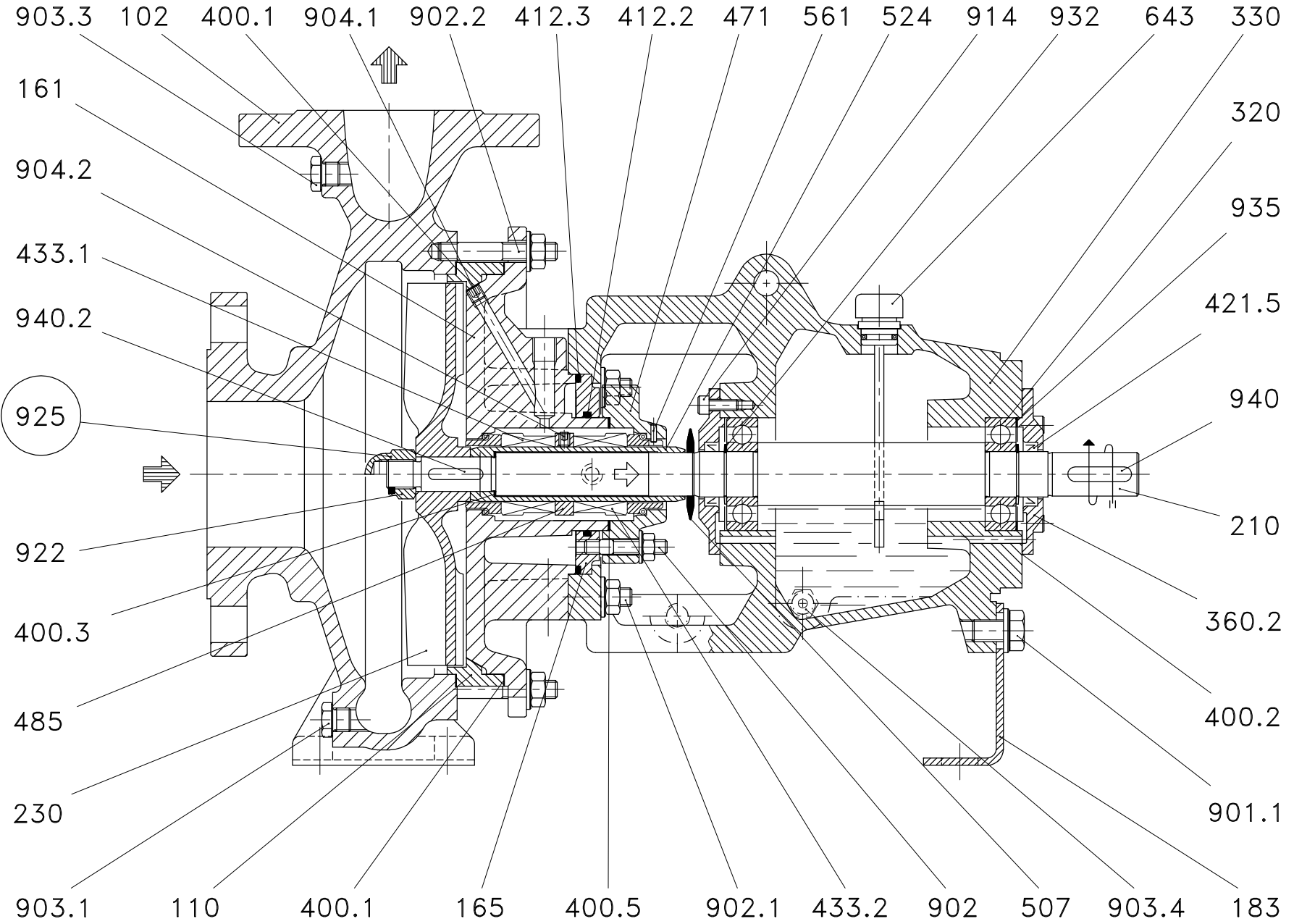
VDMA No.	DESIGNATION	VDMA No.	DESIGNATION	VDMA No.	DESIGNATION
101	Casing	375.1	Collar	680	Guard
102	Volute casing	375.2	Bearing housing cover	681	Coupling guard
106	Suction casing	383	Intermediate guide vertical	685	Guard net
107	Discharge casing	400...	Gasket	701	Circulation pipe
108...	Stage casing	411...	V-Ring	707	Circulation pipe
109...	Stage casing	412...	O-Ring	711...	Support column
110...	Impeller casing	421...	Radial shaft seal	713	Discharge pipe
111	Priming stage casing	433...	Mechanical seal	721	Flange connection
113	Intermediate casing	434...	Radial mechanical seal	723	Companion flange
114...	Channel stage casing	441...	Mechanical seal housing	724	Blank flange
116	Cooling chamber	442	Mechanical seal cover	725	Collar
120	Rear casing	450...	Cooling insert	730	Elbow
132	Fly-wheel	451...	Packing seal housing	731...	Fitting
134	Side plate	452...	Gland	734	M.F. Fitting
135...	Side plate	453	Screwed gland	735	M.M. Fitting
137...	Side element	455	Gland insert	736	Fitting
138	Suction piece	458	Lantern ring	745	Filter
140...	Intermediate plate	460	Gland	800	Electric motor
147	Manifold	461...	Packing seal	801	Flanged motor
147.5	Separator manifold	462	Packing seal	806	Reducer
149...	Diffusor	465	Packing seal housing vertical	818G	Magnetic coupling assembly
161	Casing cover	471...	Mechanical seal cover	853	Shell couplig
162	Suction cover	475	Stationary seal ring	861...	Half coupling
163	Casing cover	485...	Locating ring	867	Coupling dowel
165	Cooling cover	486	Ball	869	Spacer coupling
166	Casing	487	Throttling bush	892	Raising pad
167	Cooling plate	489	Collar	900...	Screw
180	Clampring foot	502...	Wear ring	900.5	Eyebolt
180.5	Valves plate	504	Spacer	901...	Screw
180.6	Metal cover	505...	Shoulder ring	901.7...	Bolt
183...	Support foot	506	Locking ring	902...	Stud
184	Clampring	506.1	Split locking ring	903...	Plug
185	Clampring	506.2	Locking ring	904...	Grub screw
187	Support plate	507...	Thrower	905...	Tiebolt
187.1	Housing guard	510	Oil ring	911	Filling plug
210	Shaft	521	Spacer sleeve	914...	Screw
210.1	Auxiliary shaft	522	Spacer sleeve	920...	Nut
230...	Impeller	523	Shaft sleeve	921	Impeller nut
231	Priming impeller	524	Shaft sleeve	922...	Shaft nut
235	Impeller cover	525	Spacer sleeve	923...	Bearing nut
303	Bearing housing	527	Shaft sleeve	924...	Shaft nut
310...	Bearing bush	530	Centring sleeve	925	Impeller nut
311	Bearing bush	542...	Throttling bush	932...	Circlip
320...	Ball bearing	543	Plate spacer	934	Heli-coil
321...	Ball bearing	550	Junk ring	935	Elastic ring
322	Roller bearing	551	Disk with orifice	940...	Key
323...	Roller bearing	554...	Washer	955	Spring
330	Bearing bracket	554.5	Elastic washer	991	Ball float valve
331	Bearing pedestal	560	Elastic pin		
341	Motor lantern	561	Elastic pin		
345	Pedestal	562...	Cylinder pin		
350...	Bearing housing	635	Grease nipple		
353	Bearing bracket	636	Grease cup		
355	Bearing housing	637	Oil filling plug		
357...	M.S. and bearing housing	639	Oil sight gauge		
358	Bearing housing	640	Constant level oil		
360...	Bearing cover	643	Oil dipstik		
365...	Bearing cover	647...	Grease regulator		
375	Bearing housing	672...	Cock		

RIF. - Ref.: E.C./C.T.

SOSTITUISCE - Replaces: 9300.584.01.01

DATA - Date: Settembre 02 – September 02

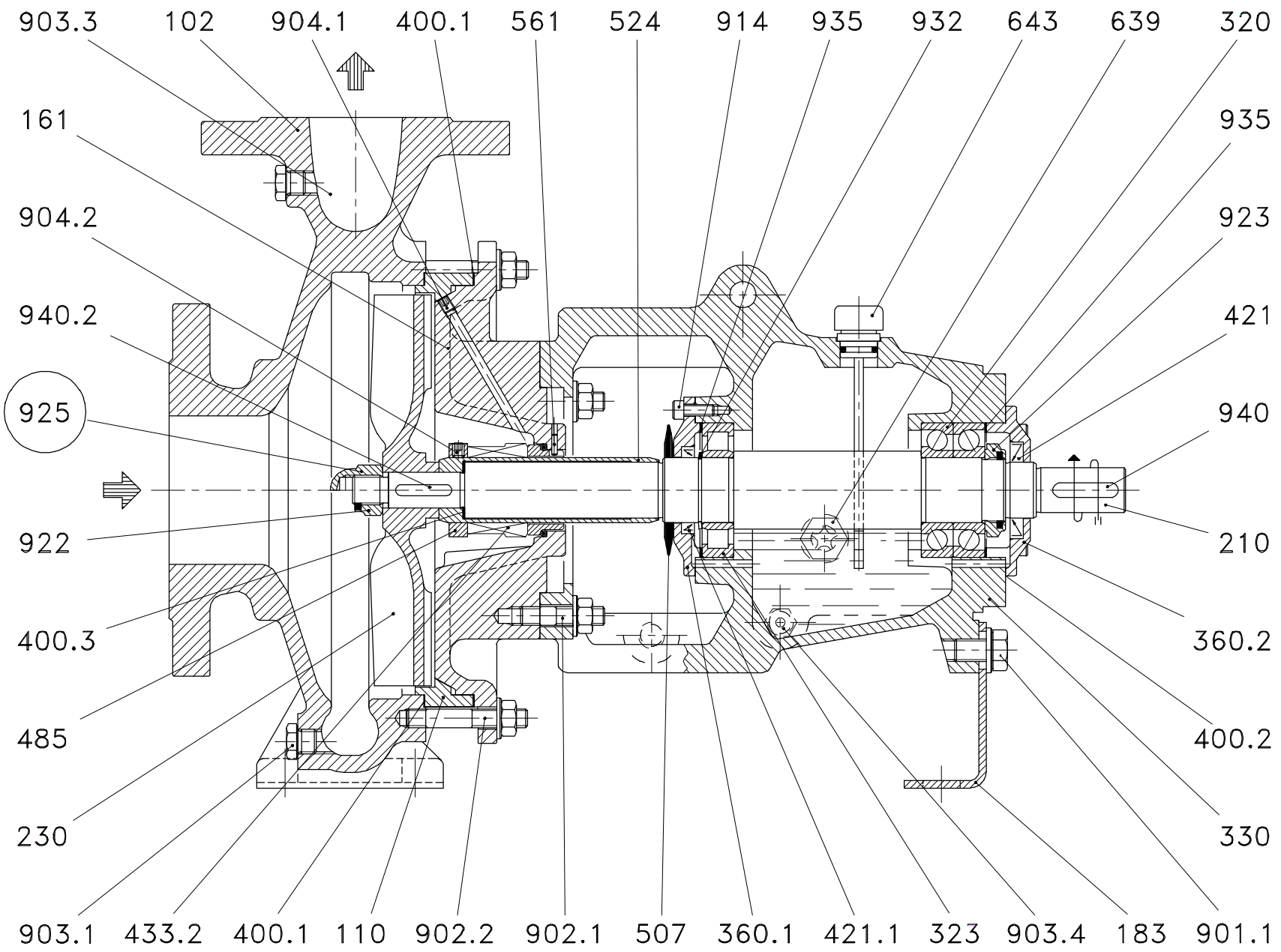
N°.: 9300.527.01.02



○ SOLO PER ESECUZIONE "A3-B2" / Only for "A3-B2" construction

DISEGNO IN SEZIONE / SECTION DRAWING
 Pompe Serie / Pumps Series
 TCT/1X-C Gr. 1-2

TRAVAINI
PUMPS USA
 Liquid Ring & Rotary Vane Vacuum Pumps and Systems
 200 Newsome Drive
 Yorktown, VA 23693
 1-800-535-4243
 www.travaini.com



○ SOLO PER ESECUZIONE "A3-B2" / Only for "A3-B2" construction

RIF. - Ref.: Z.A./C.T.
 DATA - Date: Gennaio 97 - January 97

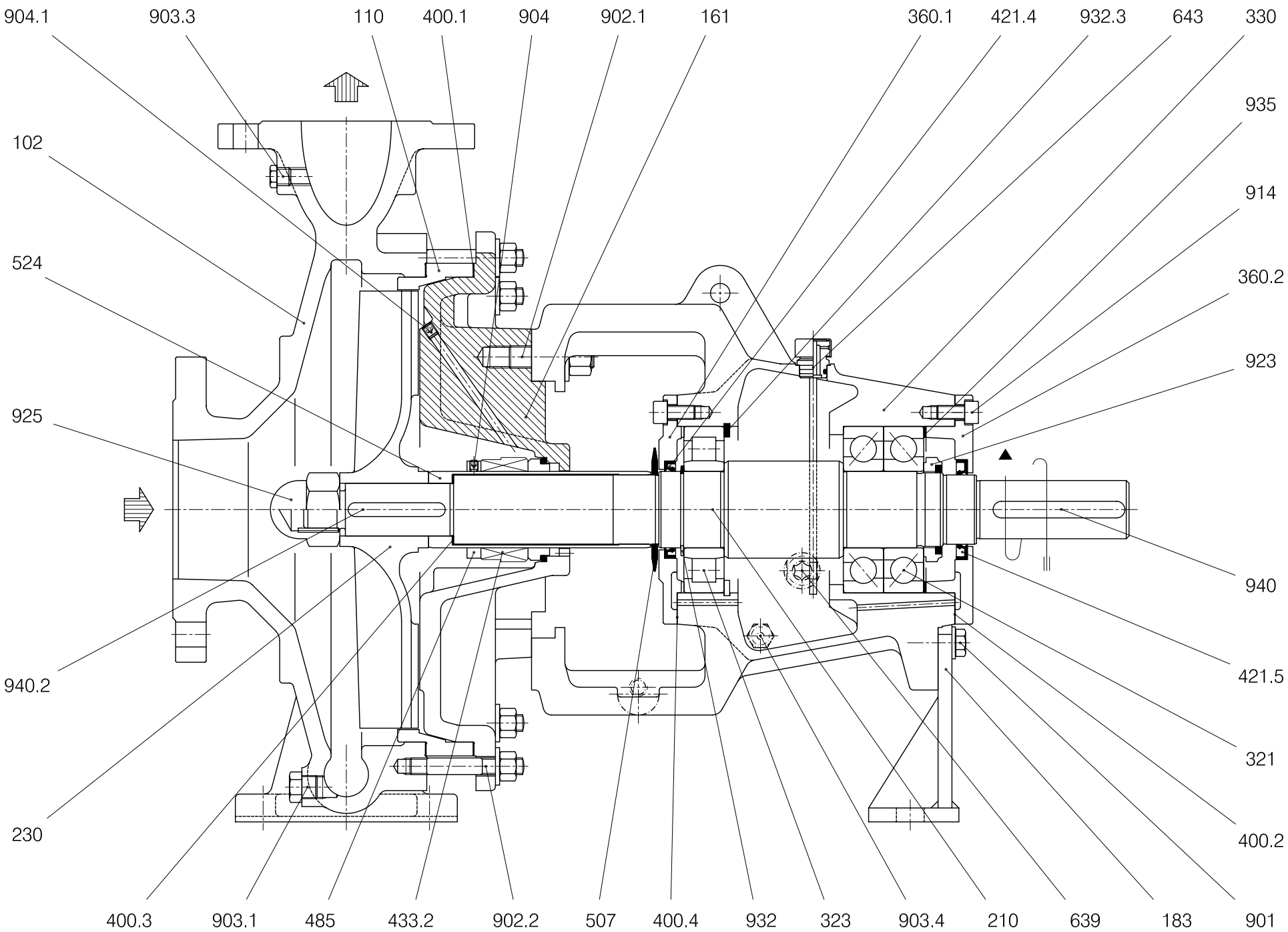
SOSTITUISCE - Replaces:
 N°.: 3901-02.1L1.3M1.01

TCT / 1X-C gr.3



**TRAVALINI
PUMPS USA**
Liquid Ring & Rotary Vane Vacuum Pumps and Systems

200 Newsome Drive
Yorktown, VA 23693
1-800-535-4243
www.TraValini.com

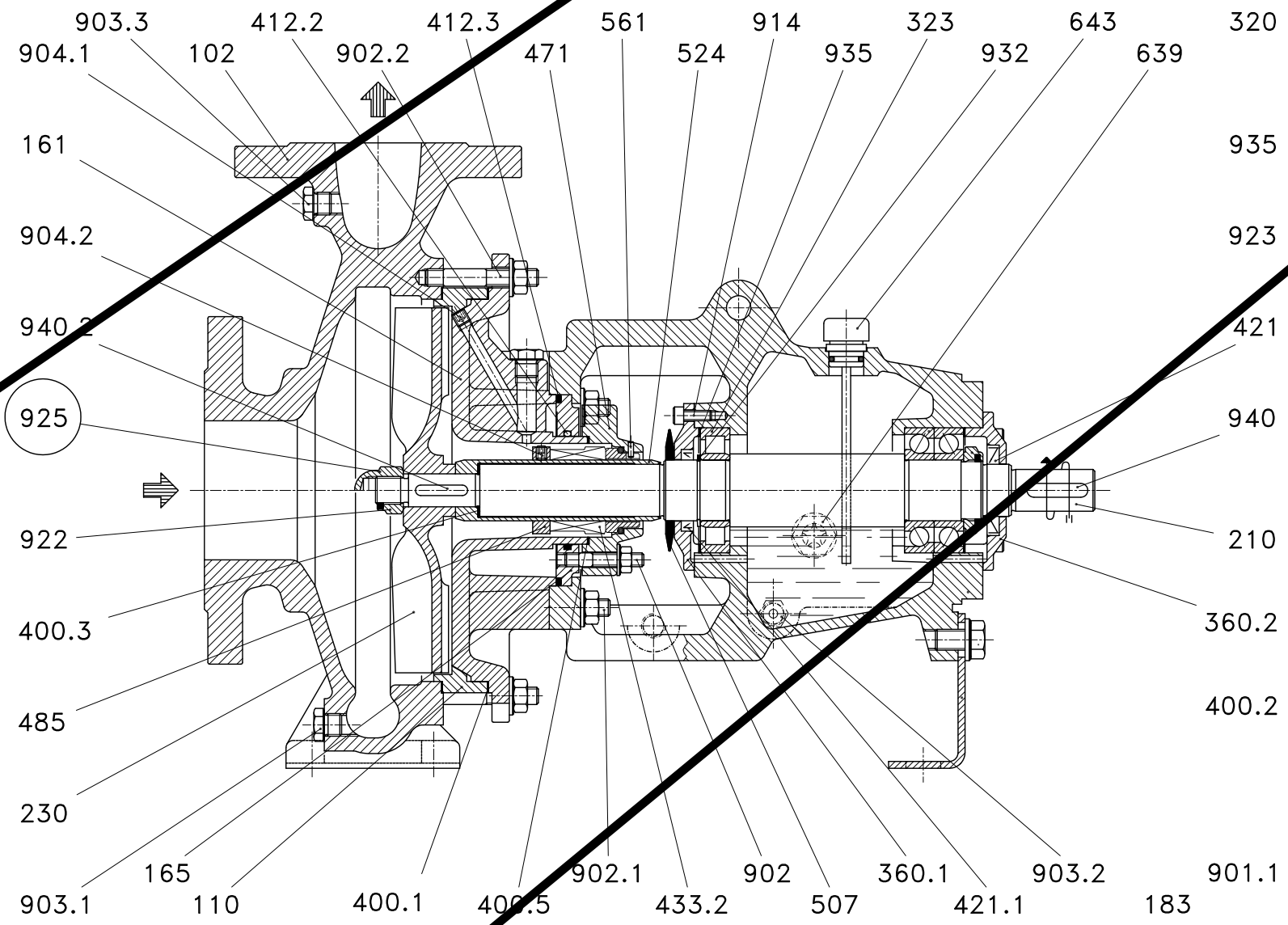


TCT/1X-R Gr.1-2



**TRAVALINI
 PUMPS USA**
 Liquid Ring & Rotary Vane Vacuum Pumps and Systems

200 Newsome Drive
 Yorktown, VA 23693
 1-800-535-4243
 www.Travaini.com



○ SOLO PER ESECUZIONE "A3-B2" / Only for "A3-B2" construction

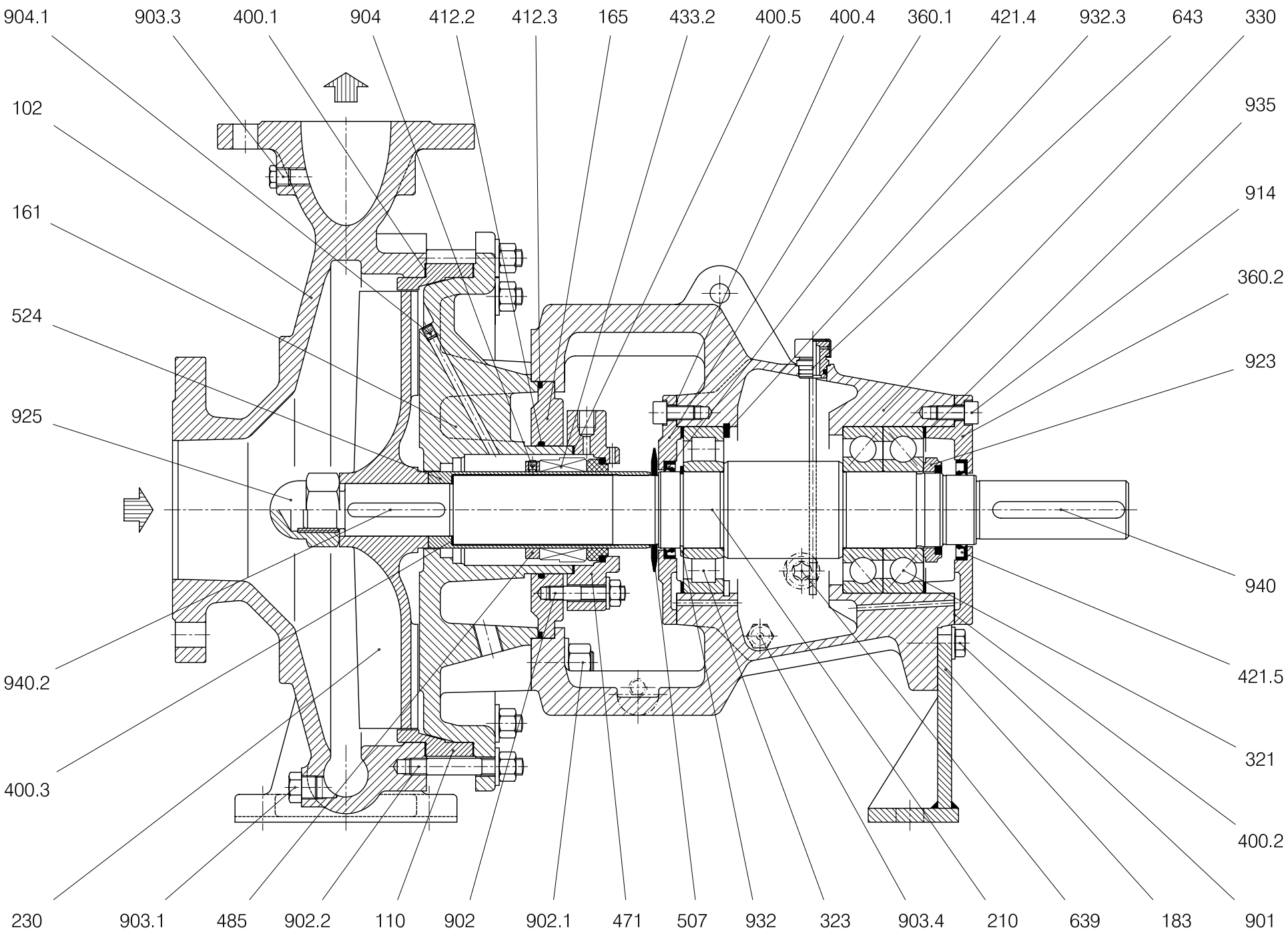
RIF. - Ref.: V.B./C.T.
 DATA - Date: Novembre 04 - November 04
 SOSTITUISCE - Replaces: N°.: 3901-02.1L1.3132.01
 TCT0016

TCT / 1X-R gr.3 (std. PLAN32)



**TRAVALINI
 PUMPS USA**
 Liquid Ring & Rotary Vane Vacuum Pumps and Systems

200 Newsome Drive
 Yorktown, VA 23693
 1-800-535-4243
 www.Travolini.com



RIF. - Ref.: E.C./C.T.
 DATA - Date: Maggio '04 - May '04

SOSTITUISCE - Replaces: -
 N°.: 3903.1L1.360.01

TCT0015