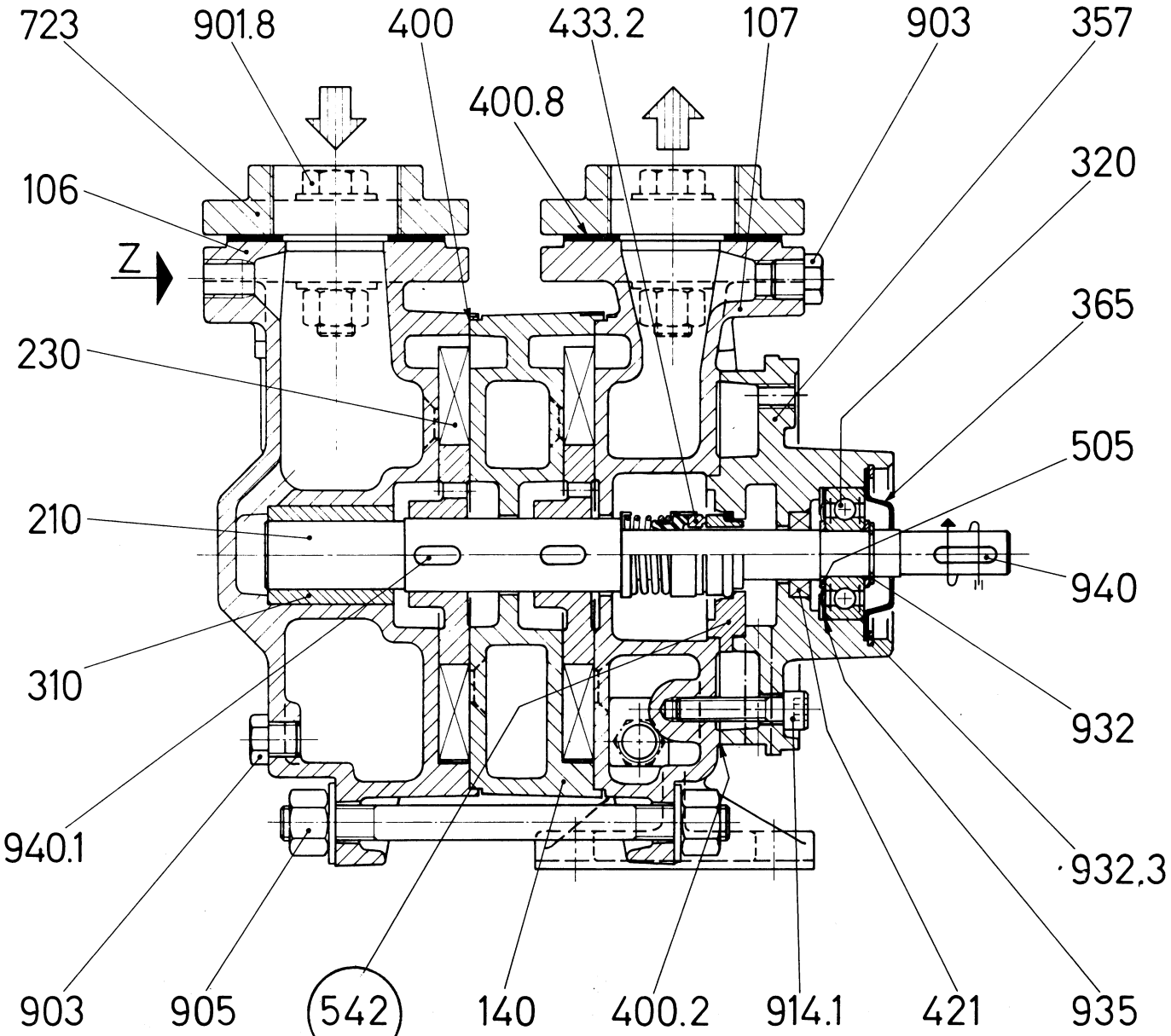


DISEGNO IN SEZIONE / SECTION DRAWING
 Pompe Serie / Pumps Series
TRHE 32-4/C



TRAVAINI
PUMPS USA
Liquid Ring & Rotary Vane Vacuum Pumps and Systems

200 Newsome Drive
 Yorktown, VA 23693
 1-800-535-4243
 www.Travaini.com



○ SOLO PER ESECUZIONE "A3" / *Only for "A3" construction*

RIF. - Ref.: R.P./C.T.
 DATA - Date: Luglio 97 - July 97

SOSTITUISCE - Replaces:
 N°: 6510.5L1.301.01

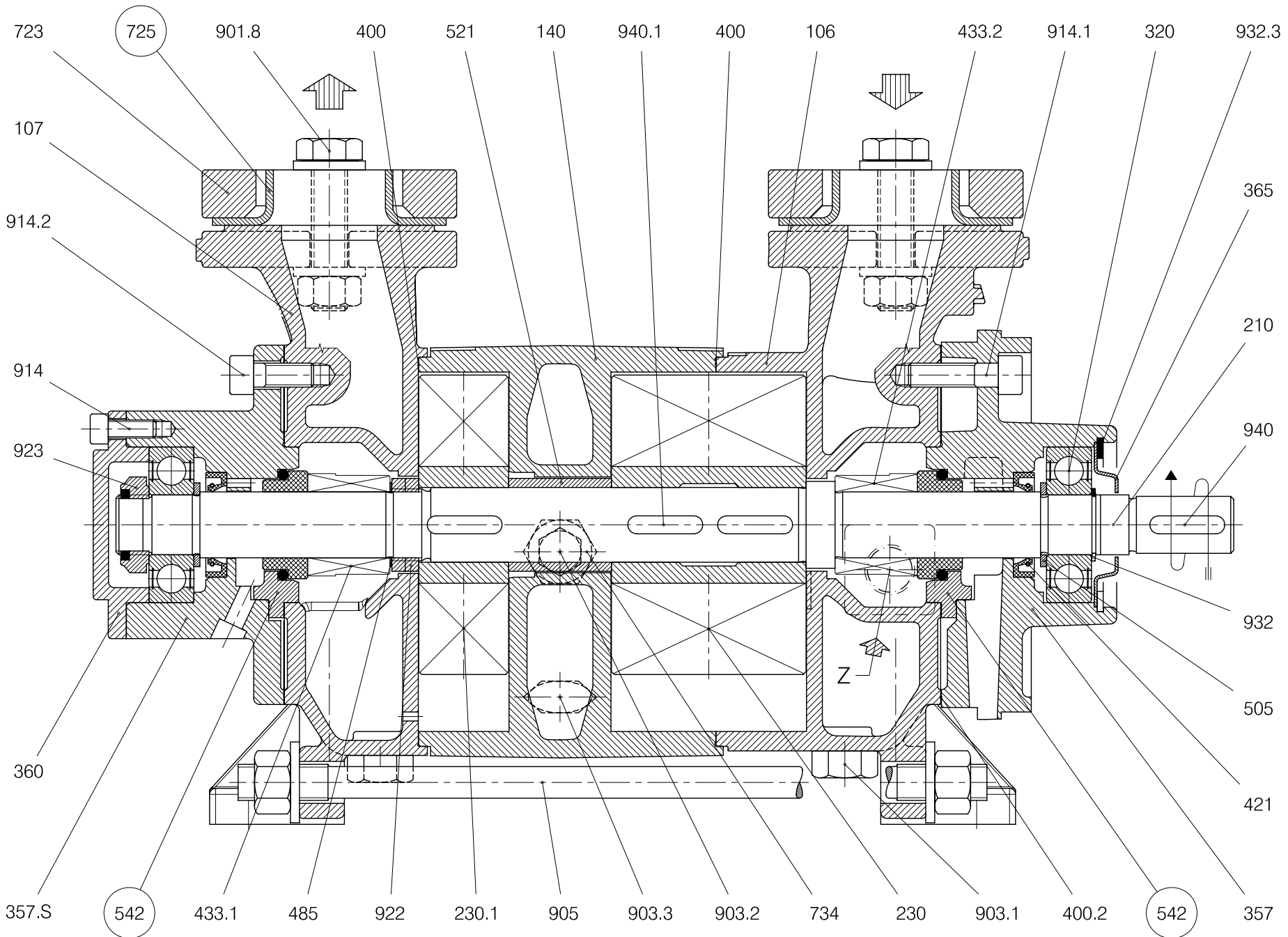
TRHE serie 32 / X-C



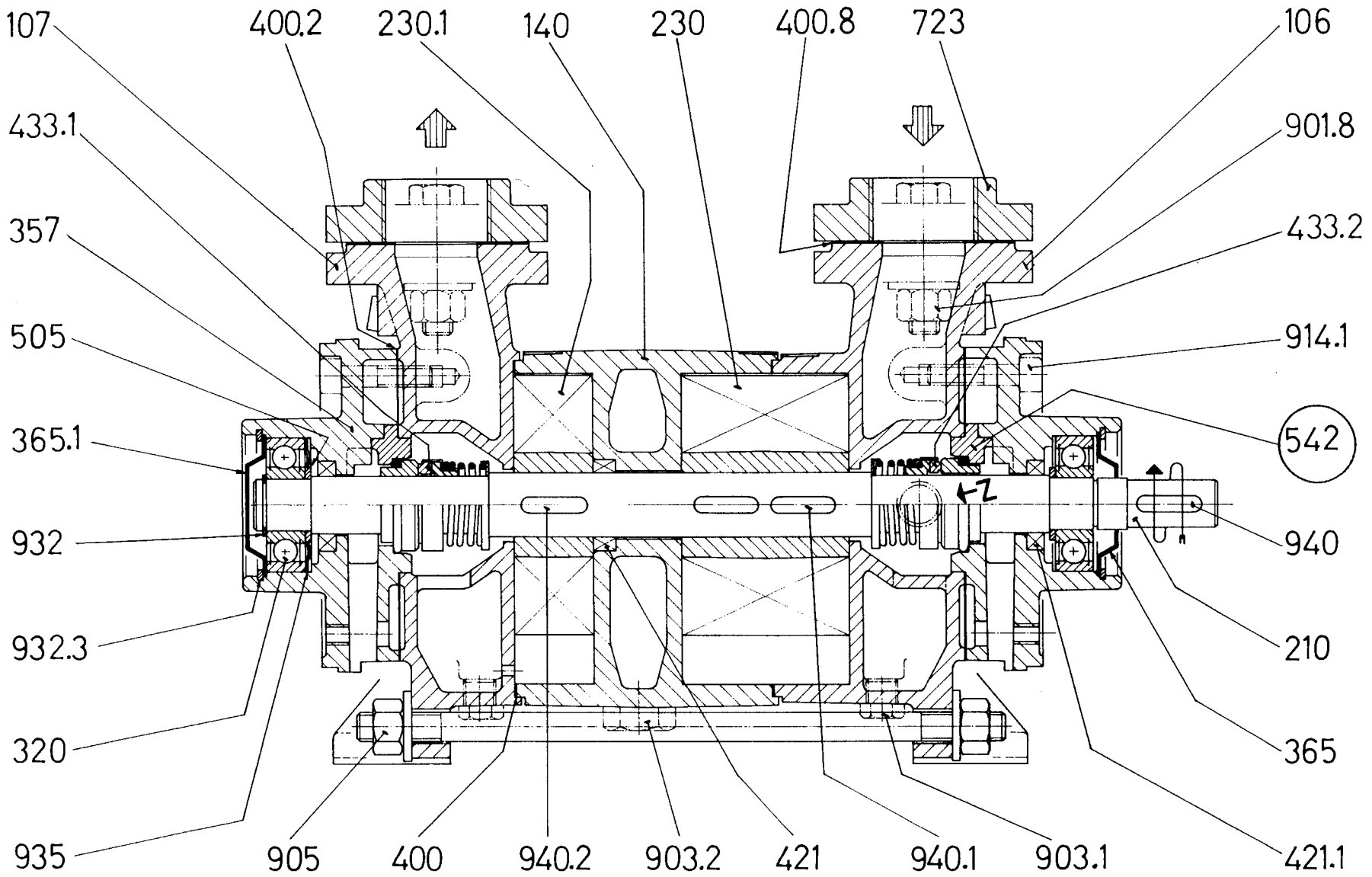
TRAVAINI
PUMPS USA

Liquid Ring & Rotary Vane Vacuum Pumps and Systems
 www.Travaini.com

200 Newsome Drive
 Yorktown, VA 23693
 1-800-535-4243



○ Solo per esecuzione A3 / A3 construction only



○ SOLO PER ESECUZIONE "A3" / Only for "A3" construction

RIF. - Ref.: R.P./C.T.
 DATA - Date: Luglio 97 - July 97
 SOSTITUISCE - Replaces: N°: 6514-5.5L1.301.01

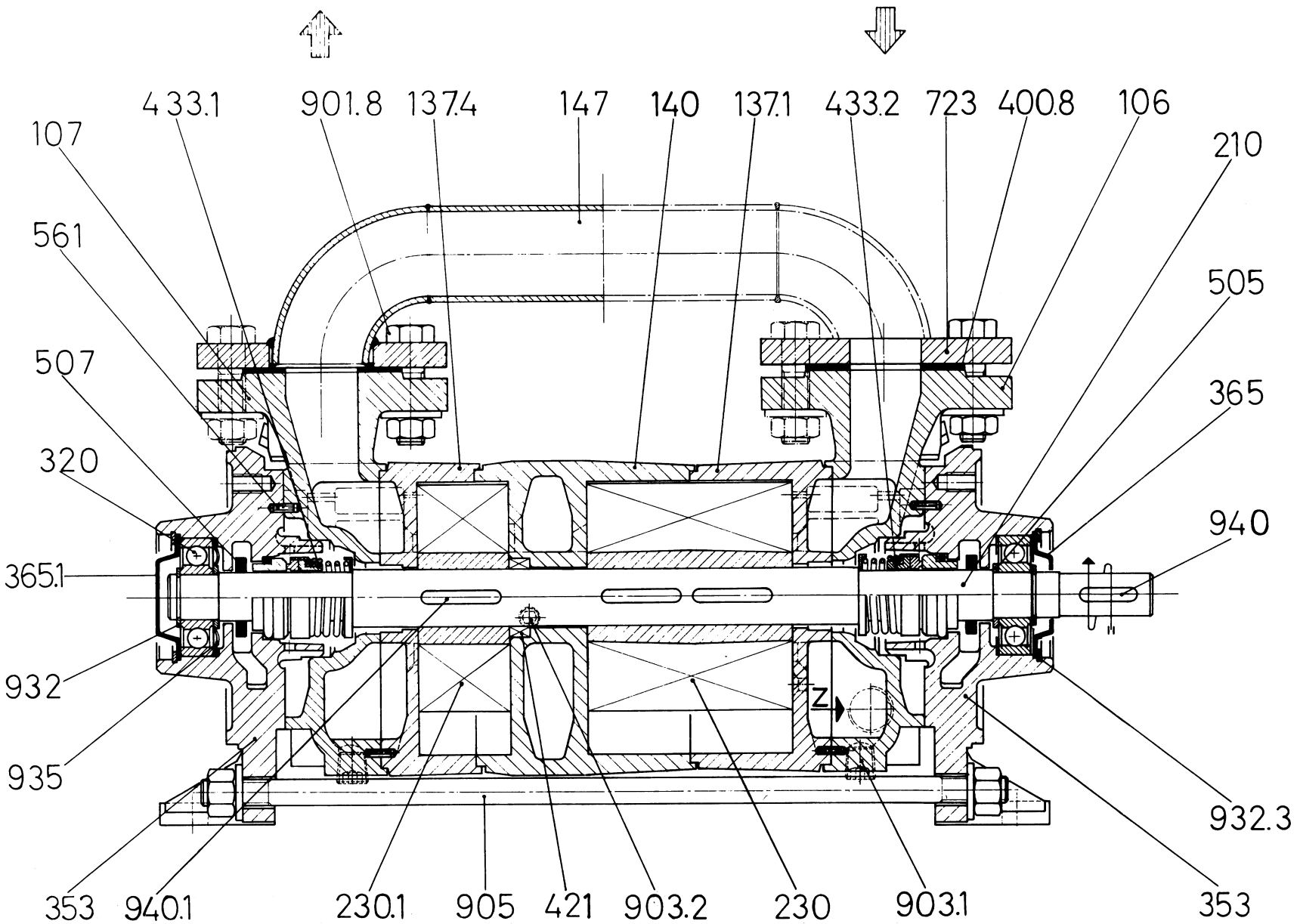
Section

DISEGNO IN SEZIONE / SECTION DRAWING
 Pompe Serie / Pumps Series
TRHC 32-60/C



TRAVAINI
PUMPS USA
Liquid Ring & Rotary Vane Vacuum Pumps and Systems

200 Newsome Drive
 Yorktown, VA 23693
 1-800-535-4243
 www.Travaini.com



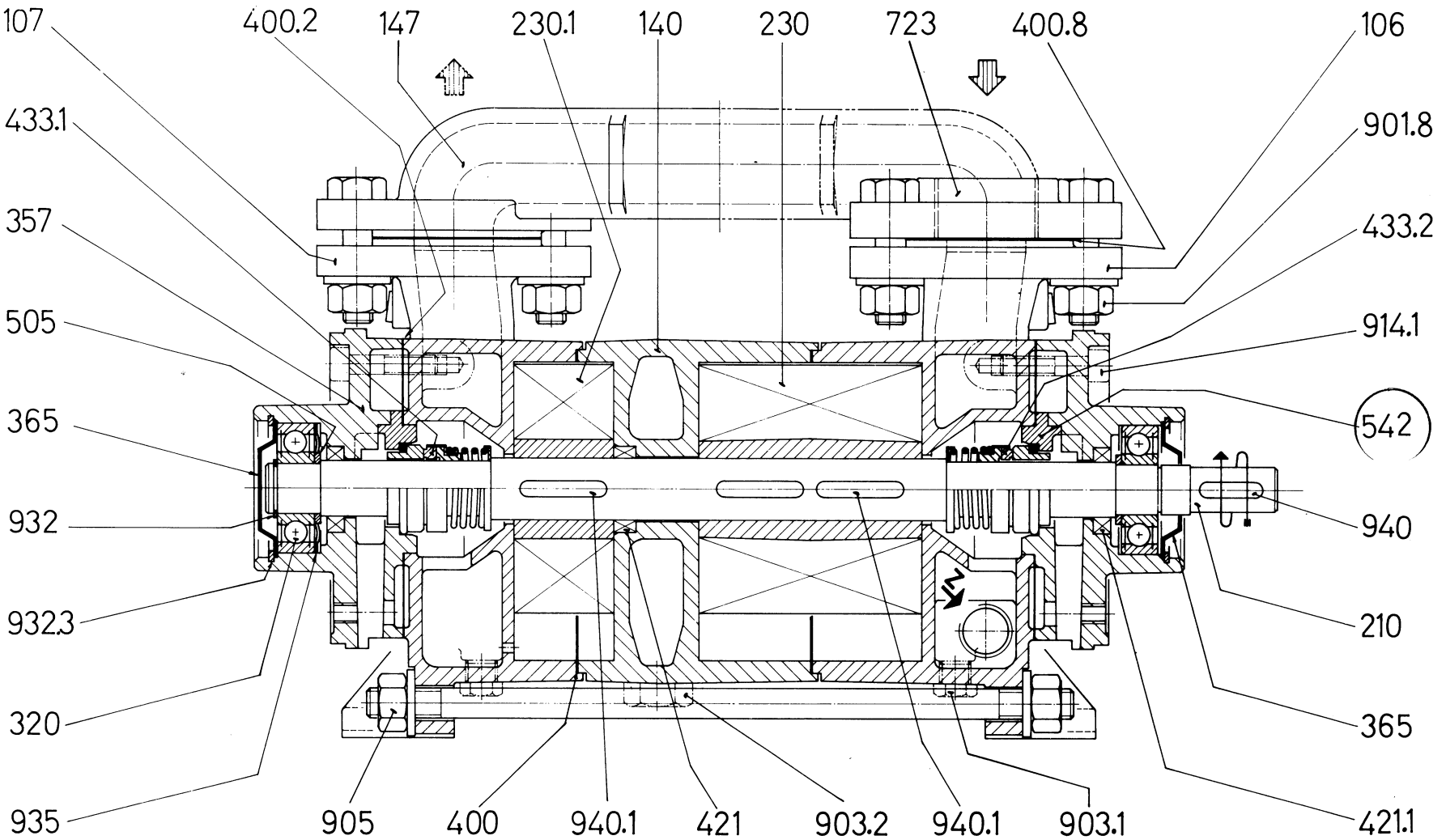
RIF. - Ref.: R.P./C.T.
 DATA - Date: Luglio 97 - July 97

SOSTITUISCE - Replaces:
 N°: 6516.3L1.301.01

DISEGNO IN SEZIONE / SECTION DRAWING
 Pompe Serie / Pumps Series
TRHE 32-60/C



200 Newsome Drive
 Yorktown, VA 23693
 1-800-535-4243
 www.Travani.com



○ SOLO PER ESECUZIONE "A3" / Only for "A3" construction

RIF. - Ref.: R.P./C.T.
 DATA - Date: Giugno 95 - June 95

SOSTITUISCE - Replaces:
 N°: 6516.5L1.301.01

Generic NOMENCLATURE of pump COMPONENTS



**TRAVAINI
PUMPS USA**
Liquid Ring & Rotary Vane Vacuum Pumps and Systems

200 Newsome Drive
Yorktown, VA 23693
1-800-535-4243
www.Travaini.com

VDMA	DESCRIPTION	VDMA	DESCRIPTION	VDMA	DESCRIPTION
101	Casing	355	Sleeve bearing housing	639	Oil sight gauge
102	Volute casing	357...	M.S. and bearing housing	640	Constant level oilier
103	Suction/discharge intermediate casing	357.S	Non drive end bearing housing	643	Oil dipstick
106	Suction casing	358	Bearing housing	672...	Cock
107	Discharge casing	360...	Bearing cover	680	Guard
108...	Stage casing	365...	Bearing shield	681	Sheet metal coupling guard
109...	Suction Stage casing	375.1	Spacer	685	Mesh guard
110...	Impeller casing	375.2	Bearing housing cover	701	Circulation tubing
111	Priming stage casing	383	Vertical intermediate guide	707	Circulation tubing
113	Intermediate casing	400...	Gasket	711...	Piping stand
114...	Channel stage casing	411...	V-Ring	713	Discharge pipe
116	Cooling housing	412...	O-Ring	721	Suction flange
120	Rear casing	421...	Radial seal ring	723	Companion flange
132	Fly-wheel	423...	Labyrinth radial seal ring	724	Blind flange
134	Side plate	433...	Mechanical seal	725	Collar
135...	Wear plate	434...	Radial mechanical seal	730	Elbow
137...	Suction & discharge plates	441...	Mechanical seal housing	731...	Fitting
137.1	Suction plate	442	Mechanical seal cover	734	M.F. Fitting
137.2	Discharge plate	450...	Cooling insert	735	M.M. Fitting
137.3	Suction plate	451...	Packing seal housing	736	Nipple
137.4	Discharge plate	452...	Oval gland flange	745	Filter
138	Suction fitting	455	Gland insert	800	Electric motor
140...	Intermediate plate	458	Lantern ring	801	Flanged motor
141	Separator plate	460	Gland	806	Reducer
142	Flushing plate	461...	Packing ring	818.G	Magnetic coupling assembly
147	Manifold	462	Inner packing ring	853	Shell type coupling
147.5	Separator manifold	465	Vertical packing seal housing	861...	Half coupling
149...	Diffuser	471...	Mechanical seal cover	867	Coupling insert
150	Diffuser housing	475	Stationary flanged ring	869	Spacer coupling
161	Casing cover	485...	M.S. locating ring	892	Raising pad
162	Suction cover	486	Ball	900...	Screw
163	Casing cover	489	Stationary retaining ring	900.5	Eyebolt
165	Cooling cover	502...	Wear ring	901...	Screw
167	Cooling plate	504	Spacer	901.7...	Bolt
180.5	Valves plate	505...	Shoulder ring	902...	Stud
180.6	Metal cover	506	Locking ring	903...	Plug
183...	Support foot	506.1	Impeller split locking ring	904...	Grub screw
184	Adapting flange	506.2	Impeller locking ring	905...	Tie bolt
185	Motor flange	507...	Thrower	911	Filling plug
187	Support plate	510	Oil splash ring	914...	Screw
187.1	Housing guard	521	Impeller spacer sleeve	920...	Nut
210	Shaft	522	M.S. spacer sleeve	921	Impeller nut
210.1	Auxiliary shaft	523	M.S. shaft sleeve	922...	Locking impeller nut
230...	Impeller	524	Packing shaft sleeve	923...	Bearing nut
230.2	Left rotation centrifugal impeller	525	Spacer sleeve	924...	Locking sleeve
231	Priming impeller	527	Seal shaft sleeve	925	Self locking nut
235	Impeller cover	530	Bearing sleeve	932...	Circlip
303	Vertical bearing housing	542...	Throttling bushing housing	934	Heli-coil
310...	Bearing bushing	543	Plate spacer	935	Wafer ring
310.2	Bearing bushing	550	Bottom ring	940...	Key
311	Bearing bushing	551	Insert with orifice	955	Helicoidal spring
320...	Single ball bearing	554...	Washer	991	Ball float valve
321...	Double ball bearing	554.5	Spring washer		
322	Double roller bearing	554.L	Anti-unscrewing washer		
323...	Single roller bearing	560	M.S. elastic pin		
330	Bearing housing	561	Elastic pin		
341	Motor lantern	562...	Cylinder pin		
345	Frame with feet	635	Grease nipple		
350...	Bearing housing	636	Grease cup		
353	Flanged bearing bracket	637	Oil filling plug		

RIF. - Ref.: A.P./C.T.

SOSTITUISCE - Replaces: 9300.527.07.02

DATA - Date: Settembre '08 – September '08

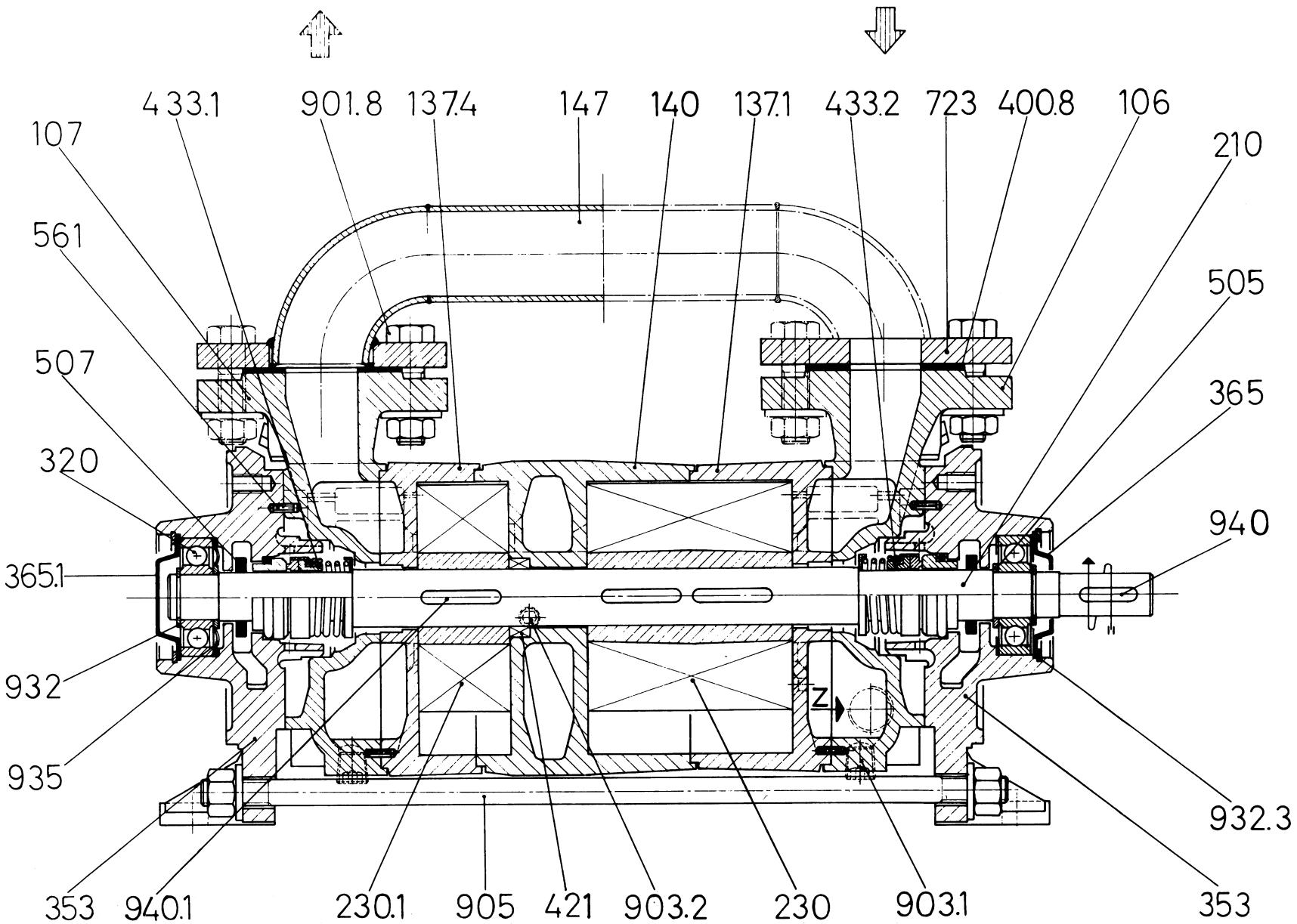
N°.: 9300.527.08.02

DISEGNO IN SEZIONE / SECTION DRAWING
 Pompe Serie / Pumps Series
TRHC 32-60/C



TRAVAINI
PUMPS USA
Liquid Ring & Rotary Vane Vacuum Pumps and Systems

200 Newsome Drive
 Yorktown, VA 23693
 1-800-535-4243
 www.Travaini.com



RIF. - Ref.:
 DATA - Date:

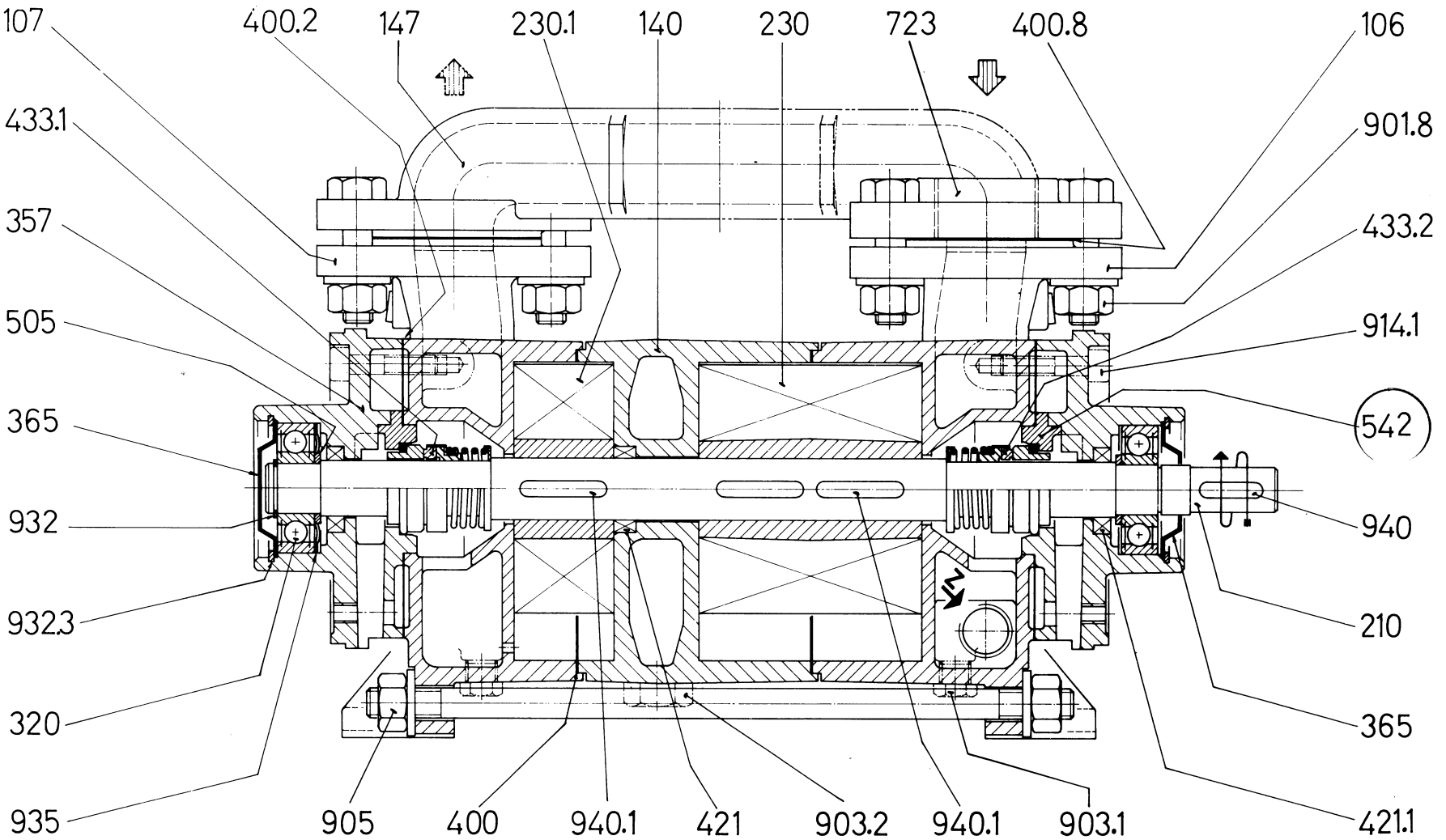
R.P./C.T.
 Luglio 97 - July 97

SOSTITUISCE - Replaces:
 N°:
 6516.3L1.301.01

DISEGNO IN SEZIONE / SECTION DRAWING
 Pompe Serie / Pumps Series
TRHE 32-60/C



200 Newsome Drive
 Yorktown, VA 23693
 1-800-535-4243
 www.Travani.com



○ SOLO PER ESECUZIONE "A3" / Only for "A3" construction

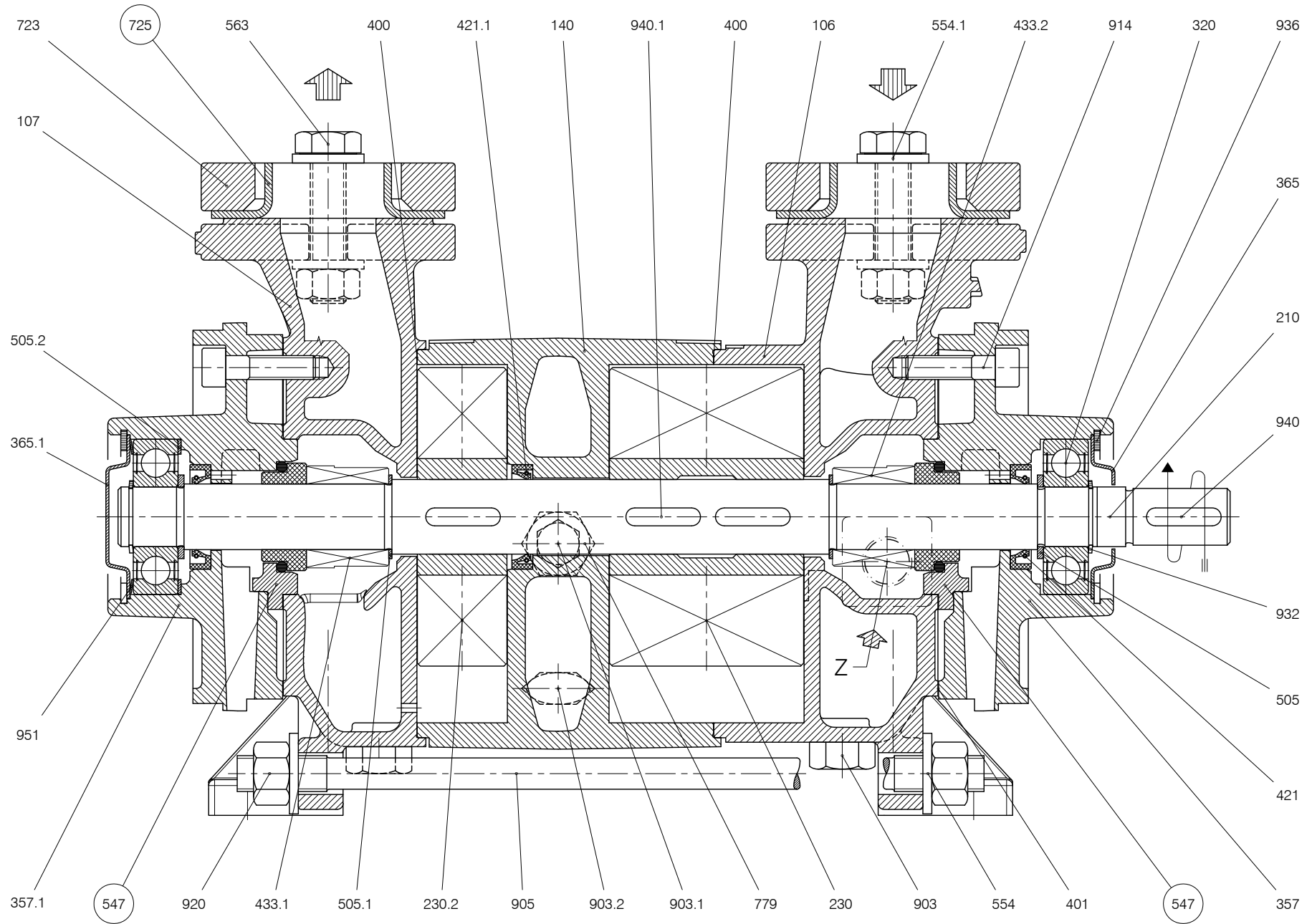
RIF. - Ref.: R.P./C.T.
 DATA - Date: Giugno 95 - June 95

SOSTITUISCE - Replaces:
 N°: 6516.5L1.301.01

TRHE serie 32 /C

○ Solo per esecuzione A3 / A3 construction only

() Solo se richiesto / On request only



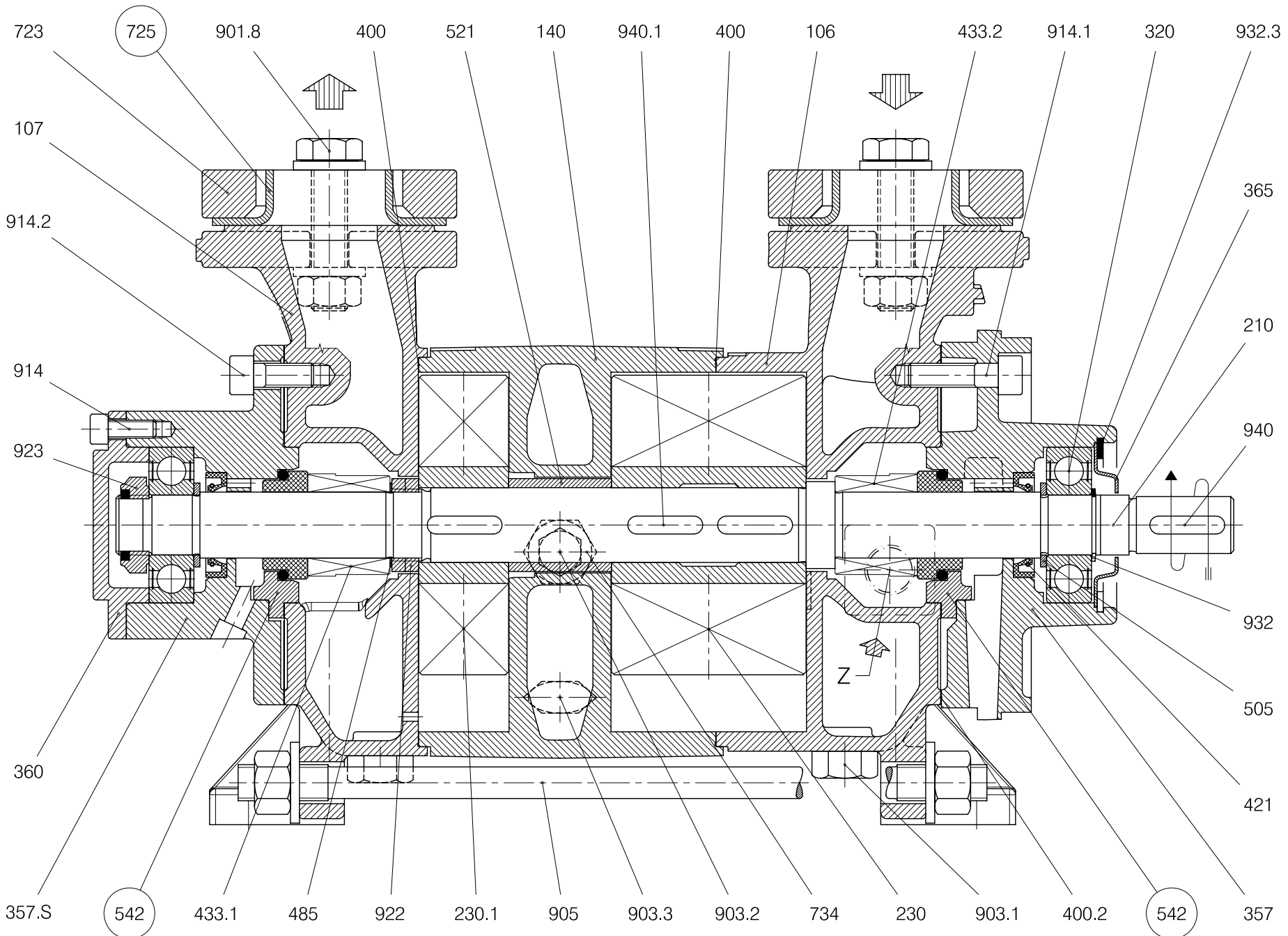
TRHE serie 32 / X-C



TRAVAINI
PUMPS USA

Liquid Ring & Rotary Vane Vacuum Pumps and Systems

200 Newsome Drive
 Yorktown, VA 23693
 1-800-535-4243
 www.Travaini.com



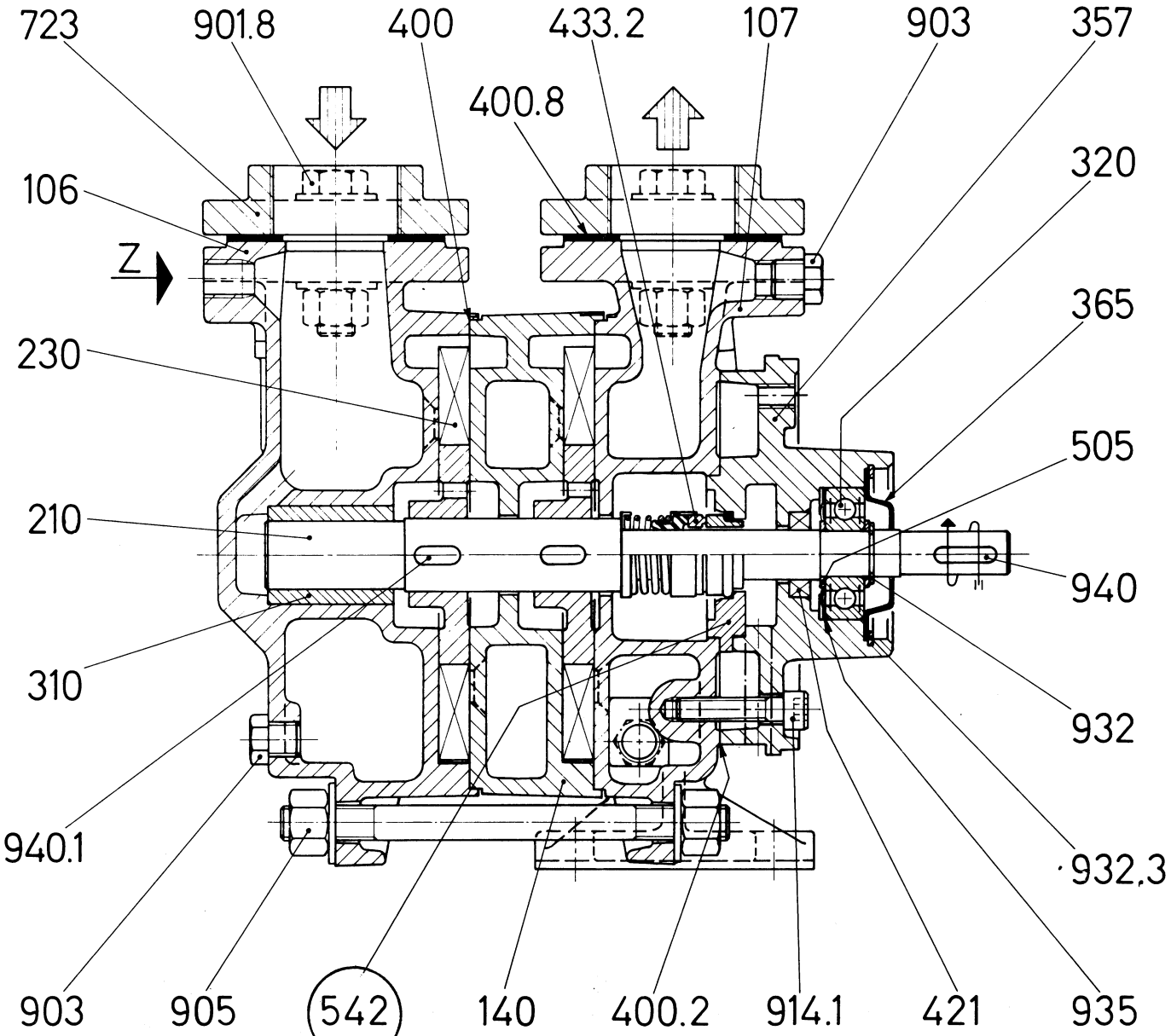
○ Solo per esecuzione A3 / A3 construction only

DISEGNO IN SEZIONE / SECTION DRAWING
 Pompe Serie / Pumps Series
TRHE 32-4/C



TRAVAINI
PUMPS USA
Liquid Ring & Rotary Vane Vacuum Pumps and Systems

200 Newsome Drive
 Yorktown, VA 23693
 1-800-535-4243
 www.Travaini.com



○ SOLO PER ESECUZIONE "A3" / *Only for "A3" construction*

RIF. - Ref.: R.P./C.T.
 DATA - Date: Luglio 97 - July 97

SOSTITUISCE - Replaces:
 N°: 6510.5L1.301.01