

DIMENSIONI D'INGOMBRO

Overall dimensions

POMPE PER VUOTO AD ANELLO DI LIQUIDO
Liquid ring vacuum pumps

TIPO
Type TRSK 2002÷5005/1-B



TRAVAINI PUMPS USA
Liquid Ring & Rotary Vane Vacuum Pumps and Systems

200 Newsome Drive
Yorktown, VA 23693
1-800-535-4243
www.Travaini.com

pag. 1/2

Versione ad ASSE NUDO – *BARESHAFT construction*

Z2

Ingresso flussaggio dall'esterno per tenute a baderna
Packed stuffing boxes flushing inlet from outside

DNM

Scarico gas
Gas discharge

DNA

Aspirazione gas
Gas suction

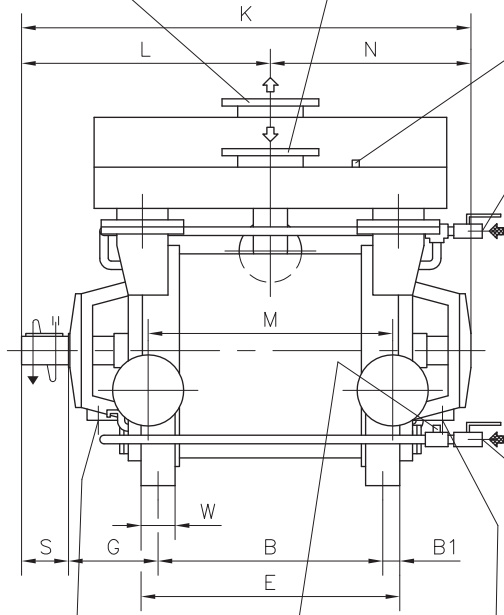
G1/2

Connessione per vuotometro
Vacuum gauge connection

Z1

Uscita liquido di servizio
Service liquid outlet

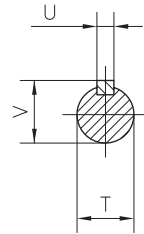
Valvola automatica di drenaggio
Automatic drain valve



G1/2
Connessione per manovuotometro
Mano vacuum gauge connection

Z3

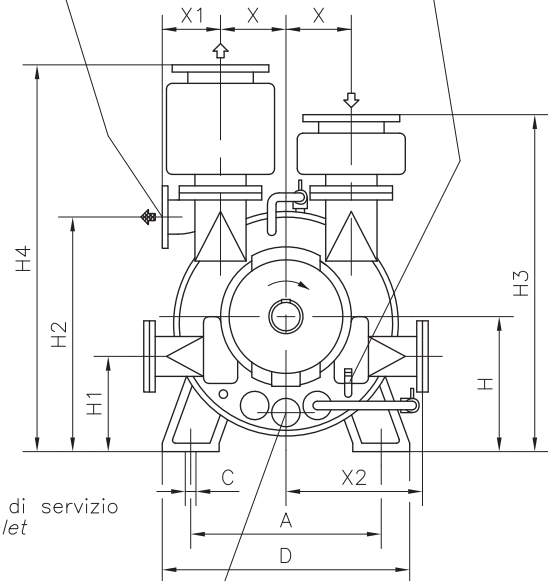
Connessione per perdita tenute a baderna
Packed stuffing boxes leakage connection



Z
Ingresso liquido di servizio
Service liquid inlet

Z4

Connessioni per flussaggio e drenaggio
Flushing and drain connections



FLANGE SECONDO UNI 2223-2229-PN 10
Flanges according to UNI 2223-2229-NP 10



POMPA TIPO <i>Pump model</i>	DNA	DNM	A	B	B1	C	D	E	G	H	H1	H2	H3	H4	K	L	M	N		
TRSK 2002/1-B				790				895							1580	873	864	707		
TRSK 2004/1-B	DN 200	DN 200	670	990	52,5		870	1095	315	475	335	825	1185	1360	1780	973	1064	807		
TRSK 2005/1-B				900		35		1005							1695	930	980	765		
TRSK 2502/1-B	DN 250	DN 250	800	1150	60		1000	1270							1985	1075	1240	910		
TRSK 2505/1-B				1050				1170	335	560	395	930	1370	1570	1885	1025	1140	860		
TRSK 3000/1-B				1300	72		1110	1444							1408	1648	2135	1150	1390	985
TRSK 3002/1-B				1110				1240							2170	1188	1210	982		
TRSK 3004/1-B	DN 300	DN 300	950	1480				1610							2540	1373	1580	1167		
TRSK 3005/1-B				1260	65		1200	1390	355	670	475	1120	1625	1865	2170	1185	1360	985		
TRSK 3006/1-B				1700				1830							2760	1483	1800	1277		
TRSK 3500/1-B				1608		42		1738							1663	1948	2518	1359	1708	1159
TRSK 3502/1-B	DN 350	DN 350	1120	1450				1600							2435	1340	1590	1095		
TRSK 3504/1-B				1670			1370	1820	375	800	560	1335	1875	2160	2655	1450	1810	1205		
TRSK 3505/1-B				1450				1600							2435	1340	1590	1095		
TRSK 4000/1-B				1820				1970				1256	1923	2263	2805	1525	1780	1280		
TRSK 4002/1-B	DN 400	DN 400	1320	1700				1875							2730	1488	1880	1242		
TRSK 4004/1-B				1950	87,5		1620	2125	400	950	665	1555	2220	2560	2980	1613	2130	1367		
TRSK 4005/1-B				1700				1875							2730	1488	1880	1242		
TRSK 4504/1-B	DN 450	DN 450		2129		48		2304				1550	2285	2688	3159	1705	2309	1454		
TRSK 5002/1-B				2020				2220							3185	1735	2230	1450		
TRSK 5004/1-B	DN 500	DN 500	1600	2280	100		1900	2480	450	1120	790	1835	2560	2965	3445	1865	2490	1580		
TRSK 5005/1-B				2020				2220							3185	1735	2230	1450		
TRSK 5008/1-B				2490				2690							3655	1975	2700	1680		

DISEGNO SCHEMATICO – DIMENSIONI IN MM. CON TOLLERANZE SECONDO EN 735-1995 E PESI IN KG. NON IMPEGNATIVI
Schematic drawing – Dimensions in mm. with tolerances according to EN 735-1995 and weights in kgs. not binding

RIF. – Ref.: F.P./C.T.

SOSTITUISCE – Replaces: 8315÷8544.0A1.201.03.A

DATA – Date: DICEMBRE 2008 – December 2008

N°.: 8315÷8544.0A1.201.04.A

DIMENSIONI D'INGOMBRO

Overall dimensions

POMPE PER VUOTO AD ANELLO DI LIQUIDO
Liquid ring vacuum pumps

TIPO
Type TRSK 2002÷5005/1-B



**TRAVAINI
PUMPS USA**
Liquid Ring & Rotary Vane Vacuum Pumps and Systems

200 Newsome Drive
Yorktown, VA 23693
1-800-535-4243
www.Travaini.com

pag. 2/2

Versione ad ASSE NUDO – BARESHAFT construction

Z2

Ingresso flussaggio dall'esterno per tenute a baderna
Packed stuffing boxes flushing inlet from outside

DNM

Scarico gas
Gas discharge

DNA

Aspirazione gas
Gas suction

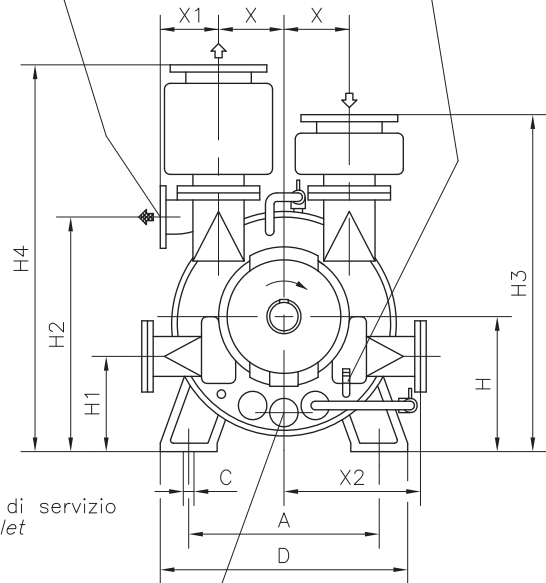
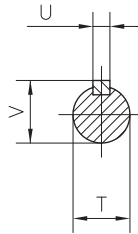
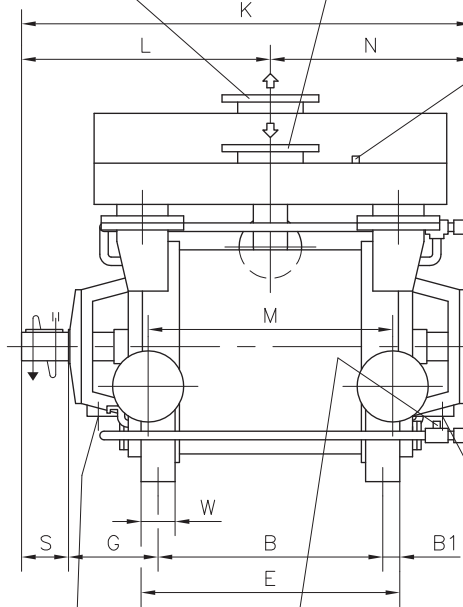
G1/2

Connessione per vuotometro
Vacuum gauge connection

Z1

Uscita liquido di servizio
Service liquid outlet

Valvola automatica
di drenaggio
Automatic drain valve



G1/2
Connessione per manovuotometro
Mano vacuum gauge connection

Z3

Connessione per perdita tenute a baderna
Packed stuffing boxes leakage connection

Z4

Connessioni per flussaggio e drenaggio
Flushing and drain connections

FLANGE SECONDO UNI 2223-2229-PN 10
Flanges according to UNI 2223-2229-NP 10



POMPA TIPO Pump model	S	T	U	V	W	X	X1	X2	Z	Z1	Z2	Z3	Z4	PESO Weight
TRSK 2002/1-B	165	100	28	106	105	230	205	480	G 1 1/2	DN 100	G 3/4	G 1/2	DN 32	1500
TRSK 2004/1-B														1600
TRSK 2005/1-B														1500
TRSK 2502/1-B														2400
TRSK 2505/1-B														2200
TRSK 3000/1-B														3050
TRSK 3002/1-B	200	140	36	148	130	335	285	685	G 1 1/2	DN 150	G 1 1/4	DN 40	3500	
TRSK 3004/1-B													3800	
TRSK 3005/1-B													3400	
TRSK 3006/1-B													4000	
TRSK 3500/1-B													4350	
TRSK 3502/1-B													5100	
TRSK 3504/1-B													5500	
TRSK 3505/1-B													5100	
TRSK 4000/1-B													6560	
TRSK 4002/1-B													8000	
TRSK 4004/1-B	240	180	40	169	150	385	367	775	G 2 1/2	DN 200	G 1	DN 50	8500	
TRSK 4005/1-B													7900	
TRSK 4504/1-B													10200	
TRSK 5002/1-B													11500	
TRSK 5004/1-B	280	200	45	210	200	490	370	1025	DN 80	DN 200	DN 25	DN 65	12300	
TRSK 5005/1-B													11500	
TRSK 5008/1-B													13950	

DISEGNO SCHEMATICO – DIMENSIONI IN MM. CON TOLLERANZE SECONDO EN 735-1995 E PESI IN KG. NON IMPEGNATIVI
Schematic drawing – Dimensions in mm. with tolerances according to EN 735-1995 and weights in kgs. not binding

RIF. – Ref.: F.P./C.T.

SOSTITUISCE – Replaces: 8315÷8544.0A1.201.02.B

DATA – Date: DICEMBRE 2008 – December 2008

N°.: 8315÷8544.0A1.201.03.B