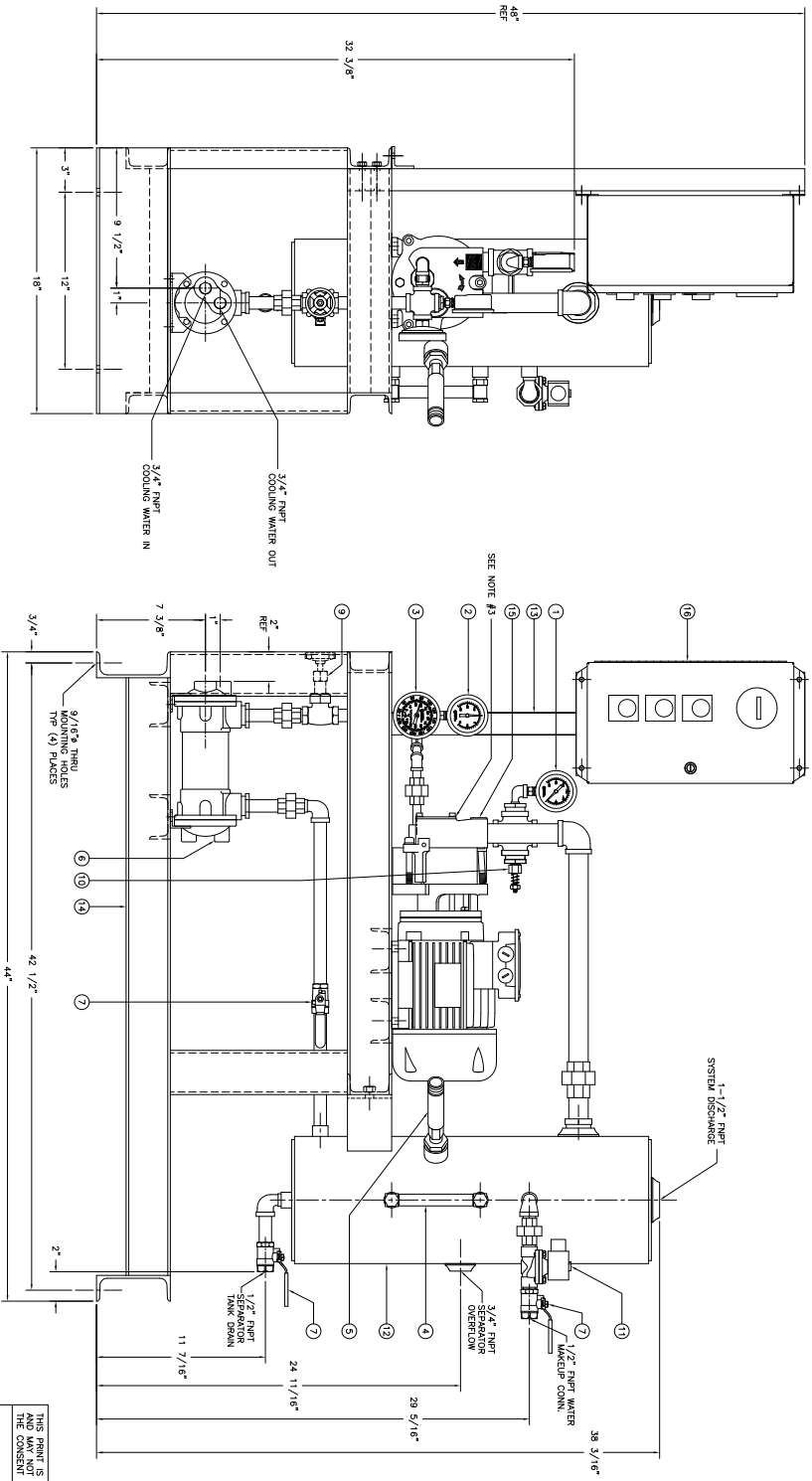
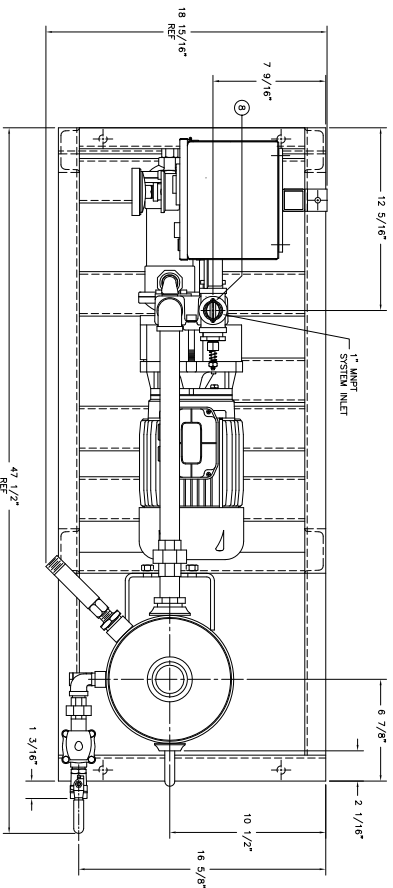


BILL OF MATERIALS		
ITEM	QTY	DESCRIPTION
1	1	GAUGE W/ 1/4" NPS 0-30" HgV BRG 2 1/2" DIA
2	1	GAUGE COMPOUND 1/4" NPS 30/0/15 BRASS
3	1	GAUGE TEMP 1/2" NPS 20/240F - 10/110C BRASS
4	1	GAUGE LEVEL 6" LING X 1/2" NPS BRG
5	1	SWITCH LEVEL 1" NPS YP BRSS/SS
6	1	HEAT EXCHANGER 3" X 8" 4 PASS CPM/BRG/CI
7	3	VALVE BALL 1/2" NPS SP BRG
8	1	VALVE CHECK HINGE 1" NPS SS/BIWA
9	1	VALVE GLOBE 1/2" NPS BRONZE
10	1	VALVE W/CL REL. 3/8" BRSS ALU.
11	1	VALVE SOLENOID 1/2" NPS N4 NC BRG/BIWA 120V
12	1	SEPARATOR TANK H2O FR 8" X 24" CS
13	1	BROCKET CONTROL PANEL TRW FR 14" X 8" ENCL. CS
14	1	BASEPLATE TRW20M FR 44" X 18" X 20" CS
15	1	VACUUM PUMP LIQUID RING 1 STAGE MECH SEAL
16	1	CNTRL PANEL TRW 1 SHP/460V

GENERAL ARRANGEMENT ONLY



- SYSTEM NOTES:**
- 1) LOCATE AND SECURE VACUUM SYSTEM ON A FLAT LEVEL SURFACE.
 - 2) PLUG UNUSED PORTS WITH SQUARE HEAD NPT PIPE PLUGS.
 - 3) WELD TO SUIT 1/4" X 3" X 15-1/8" FLAT STOCK FOR PUMP SUPPORT.

REV	DESCRIPTION	DATE	APPR
REVISIONS			

THIS PRINT IS PROPERTY OF TRAWANI PUMPS USA, INC. AND MAY NOT BE GIVEN TO ANY OTHER CONCERN WITHOUT THE CONSENT OF TRAWANI PUMPS USA, INC.

TOLERANCES

DECIMAL ± .0025"

FRACTIONAL ± 1/2"

ANGULAR ± 0° 30' 00"

UNLESS OTHERWISE SPECIFIED IN DRAWING

TRAWANI PUMPS USA
Liquid Ring & Steam Vacuum Pumping and Systems

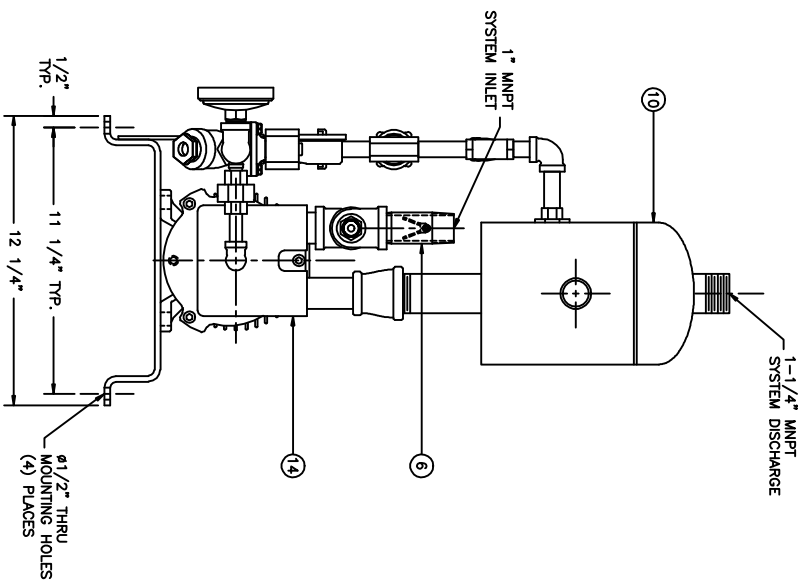
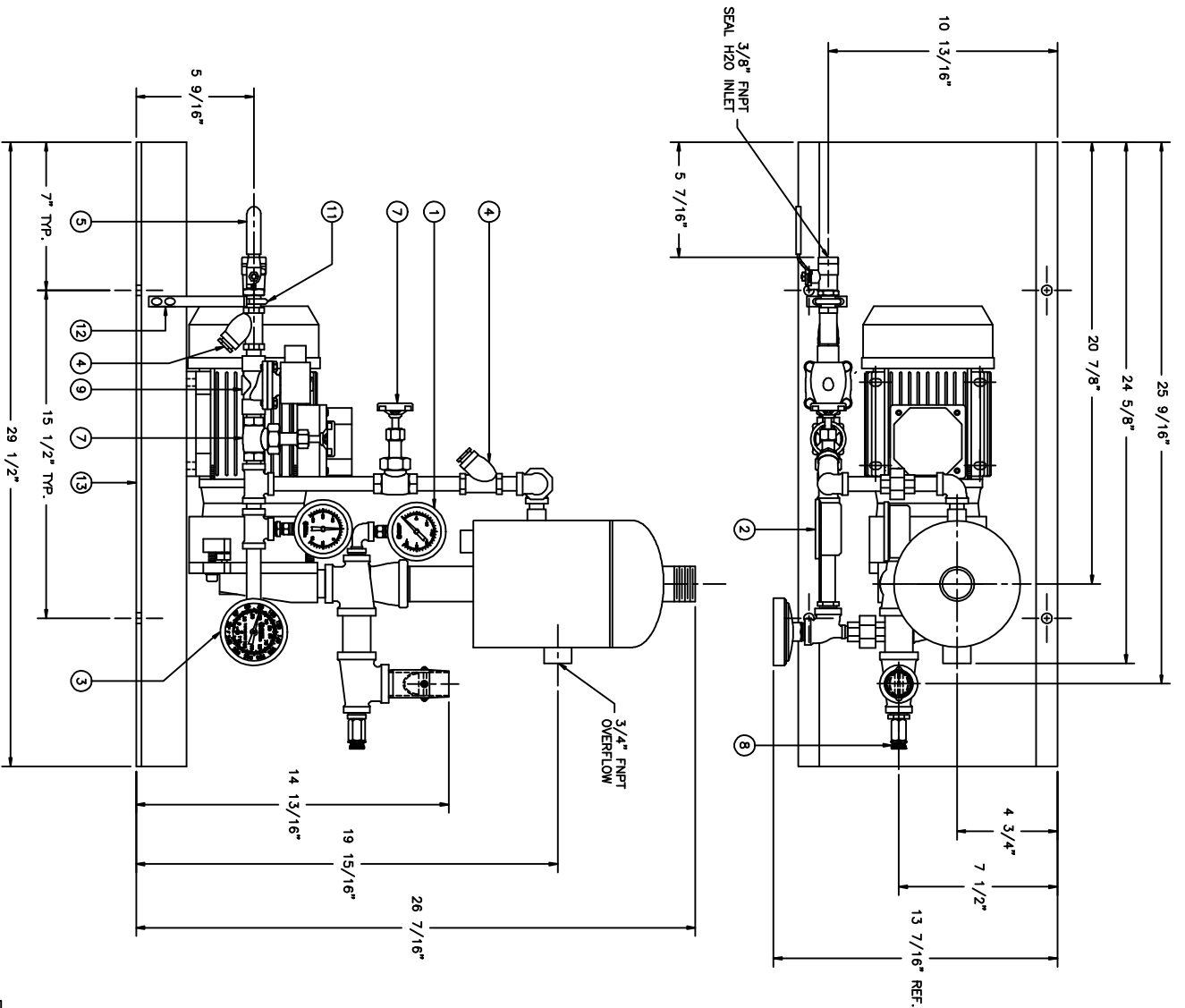
TRW20M-1FR
GENERAL ARRANGEMENT DRAWING

DATE: 11/4/15

SCALE: 1 = 4

BILL OF MATERIALS	
ITEM	DESCRIPTION
1	VACUUM GAUGE 0-30"hgV BRZ 2.5" DIA.
2	GAUGE COMPOUND 30/0/15 BRASS
3	GAUGE TEMP 20/240T--10/110C
4	Y-STRAINER 3/8" NPT 20 MESH
5	VALVE BALL 3/8" NPT BRZ/BRZ/PTEE
6	VALVE CHECK HINGED 1" NPT SS/BRUA
7	VALVE GLOBE 3/8" THD BRZ
8	VALVE SOLENOID 3/8" NPT N4 NC BRZ BRZ/BRUA
9	SEPARATOR NR/PK 6" X 9" CS W/1-1/4" NPT
10	BRACKET U BOLT 3/8" PIPE
11	BRACKET PIPE
12	BRACKET U BOLT 3/8" PIPE
13	BASEPLATE W/INTERSEAL
14	LIQUID RING VAC. PUMP 1-STAGE MESH SEAL

- SYSTEM NOTES:
 1) LOCATE VACUUM SYSTEM ON A LEVEL SURFACE.
 2) PLUG EMPTY PORTS WITH SQUARE HEAD NPT PIPE PLUGS.



THIS PRINT IS PROPERTY OF TRAMANN PUMPS USA, INC. AND MAY NOT BE GIVEN TO ANY OTHER CONCERN WITHOUT THE CONSENT OF TRAMANN PUMPS USA, INC.

TOLERANCES
 DIMENSIONAL ± .0005"
 ANGULAR ± 0° 30' 00"
 UNLESS OTHERWISE SPECIFIED IN DRAWING

DESCRIPTION: LIQUID RING VACUUM SYSTEM
 MODEL NO. TRWOZOM-1PR
 DWG NO. 0509193-C

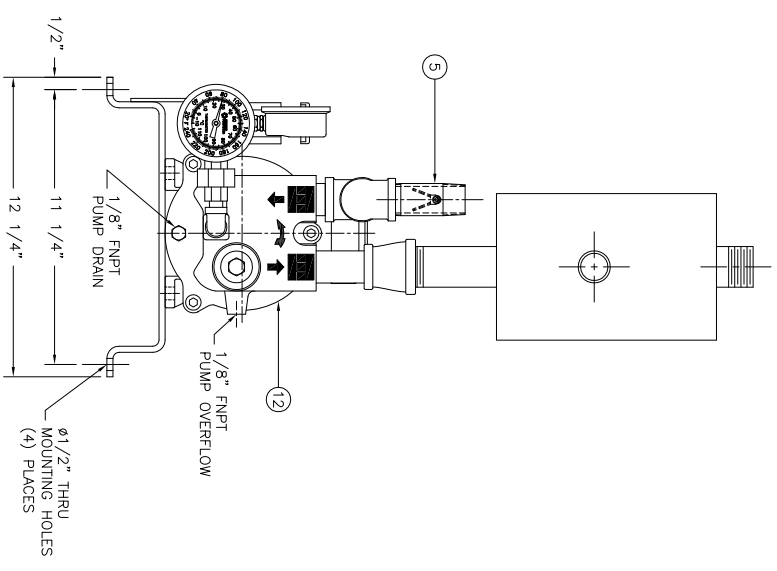
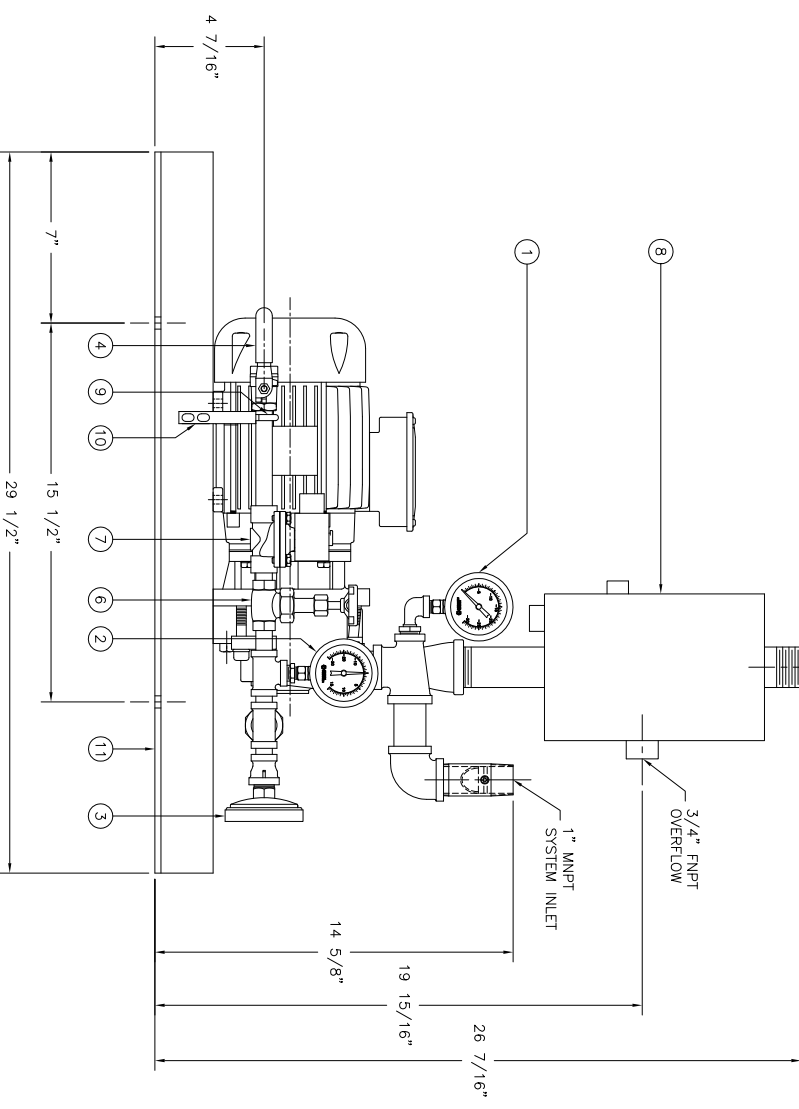
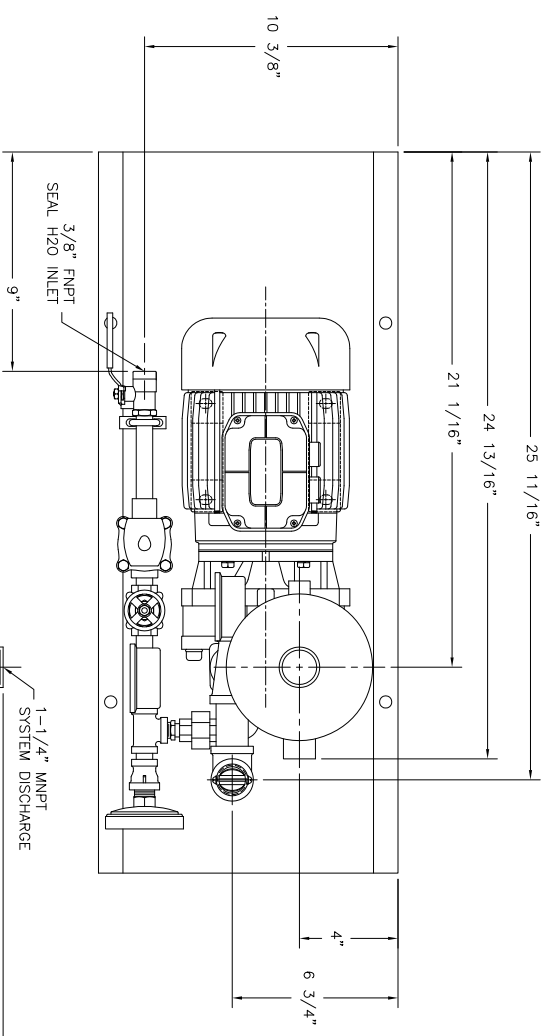
DATE: 9/19/05
 APPR: [Signature]

REVISIONS: [Table with columns for REV, DESCRIPTION, DATE, APPR]

TRAMANN PUMPS USA
 Liquid Ring & Heavy Duty Vacuum Pumps and Systems

ITEM	QTY	DESCRIPTION
1	1	GAGE VACUUM 0-30"HgV BR3 1/4"MNPT CONN
2	1	GAGE COMPOUND 30/0/15 BR3 1/4"MNPT CONN
3	1	GAGE TEMP 20/240F-10/110C 1/2"MNPT SS
4	1	VALVE BALL 3/8" FNPT BR3
5	1	VALVE CHECK HINGE 1" MNPT SS/BRUNA
6	1	VALVE GLOBE 3/8" FNPT BRONZE
7	1	VALVE SOLENOID 3/8" FNPT N4 NC BR3SS
8	1	SEPARATOR NR/PR 6" X 9" CS W/1-1/4" MNPT
9	1	BRACKET U-BOLT 3/8" PIPE
10	1	BRACKET PIPE 4-5/8" X 2 X 1/2" CS
11	1	BASEPLATE FORNED 12-1/4" X 29-1/2" X 2-3/8" CS
12	1	VACUUM PUMP LIQUID RING 1-STAGE MECH SEAL

GENERAL ARRANGEMENT DRAWING ONLY



SYSTEM NOTES:
 1) LOCATE VACUUM SYSTEM ON A FLAT LEVEL SURFACE.
 2) PLUG EMPTY PORTS WITH SQUARE HEAD NPT PIPE PLUGS.

TOLERANCES		THIS PRINT IS PROPERTY OF TRAVANI PUMPS USA, INC. AND MAY NOT BE GIVEN TO ANY OTHER CONCERN WITHOUT THE CONSENT OF TRAVANI PUMPS USA, INC.	
DECIMAL	± .0625"	UNLESS OTHERWISE SPECIFIED IN DRAWING	
FRACTIONAL	± 1/2"		
ANGULAR	± 0' 30" 00"		
PART NO.	VARIOUS	S/N NO.	VARIOUS
DWG BY:	JCL	CHK BY:	-
DATE:	11/13/15	SCALE:	1 = 4
TRAVANI PUMPS USA		TRAVANI PUMPS USA	
Liquid Ring & Rotary Vane Vacuum Pumps and Systems		Liquid Ring & Rotary Vane Vacuum Pumps and Systems	
DESCRIPTION:	TRW020M-1NR GENERAL ARRANGEMENT DRAWING		
MODEL NO.:	TRW020M-1NR	DWG NO.:	-
REV	-	DATE	-
DESCRIPTION	-	DATE	-
REV	-	DATE	-