

GENERAL ARRANGEMENT DRAWING ONLY

BILL OF MATERIALS		
ITEM	QTY	DESCRIPTION
1	1	VACUUM PUMP LR 2 STAGE WASH SEAL
2	1	MOTOR 3 HP 2P TEFC 56C
3	1	MONO-BLOCK ASSY TRS/H30 145T
4	1	DRIVE CRG 4J 425\"/>
5	1	DRIVE CRG 4J 19 MM CI
6	1	CRG ELEMENT SIZE 4-JE
7	1	BASEPLT H20 FR 44X18X20 W/CASTERS CS TRN30
8	2	CASTER 450# CAPACITY CI SWREL
9	2	CASTER 450# CAPACITY CI RIGID
10	1	GAUGE VACUUM 0-30\"/>
11	1	GAUGE TEMP 20/240-10/110 3\"/>
12	1	GAUGE LEVEL 12\"/>
13	1	GAUGE BULB/SEC 50\"/>
14	1	SWITCH LEVEL 1\"/>
15	1	HEAT EXCHANGER 0.3 X 14 4P BR3/CR/CI
16	1	STRAINER 1\"/>
17	3	VALVE DRK HNG 50\"/>
18	1	VALVE GLOBE 50\"/>
19	1	VALVE SOL 50\"/>
20	1	SEPARATION FR 12\"/>
21	1	
22	1	

THIS PRINT IS PROPERTY OF TRAWANI PUMPS USA, INC. AND MAY NOT BE GIVEN TO ANY OTHER CONCERN WITHOUT THE CONSENT OF TRAWANI PUMPS USA, INC.


TOLERANCES

DECIMAL ± .0025"
 FRACTIONAL ± 1/32"
 ANGLE ± 0° 30' 00"
 UNLESS OTHERWISE SPECIFIED IN DRAWING

PART NO. _____
 DIMS BR: _____
 C/DJ _____
 SCALE: 1 = 6

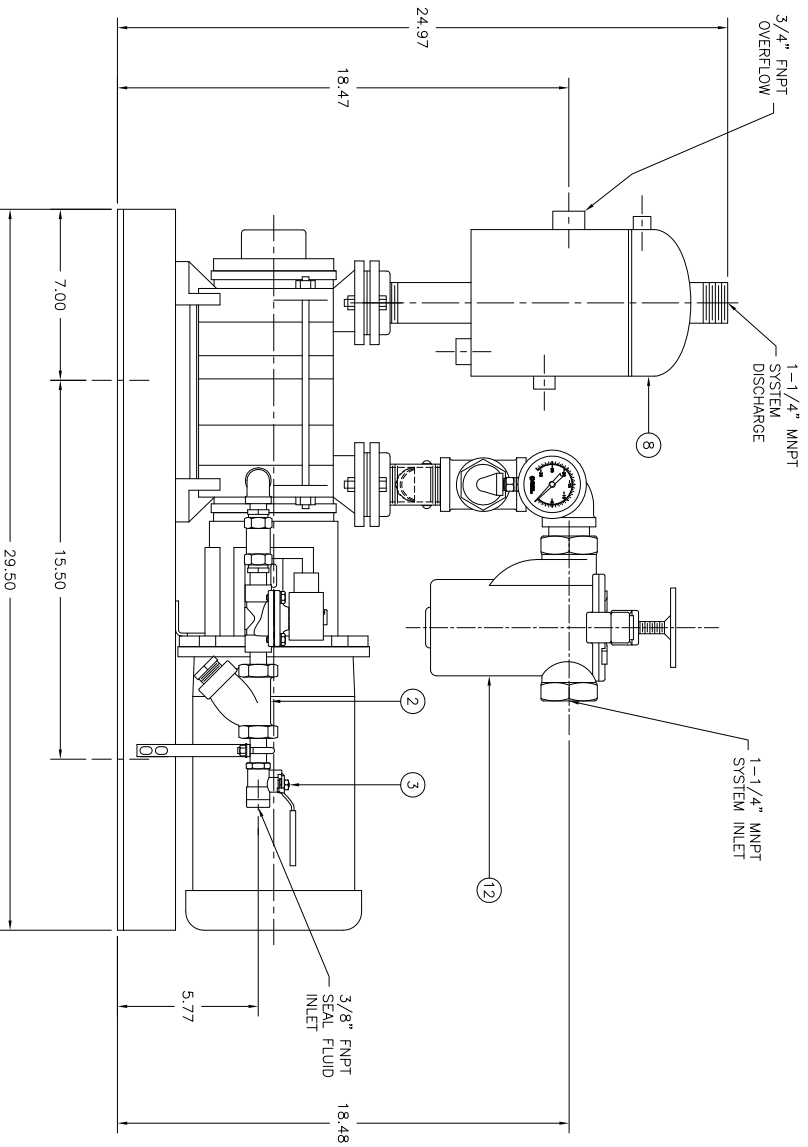
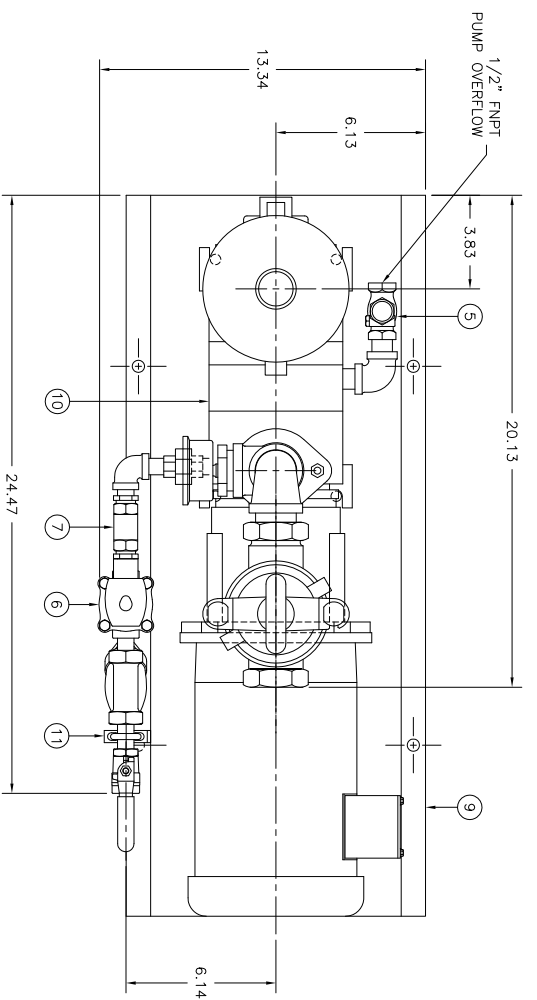
DESCRIPTION: TRW030H-1FR GENERAL ARRANGEMENT DRAWING

MODEL NO. TRW030H-1FR
 DWG NO. _____



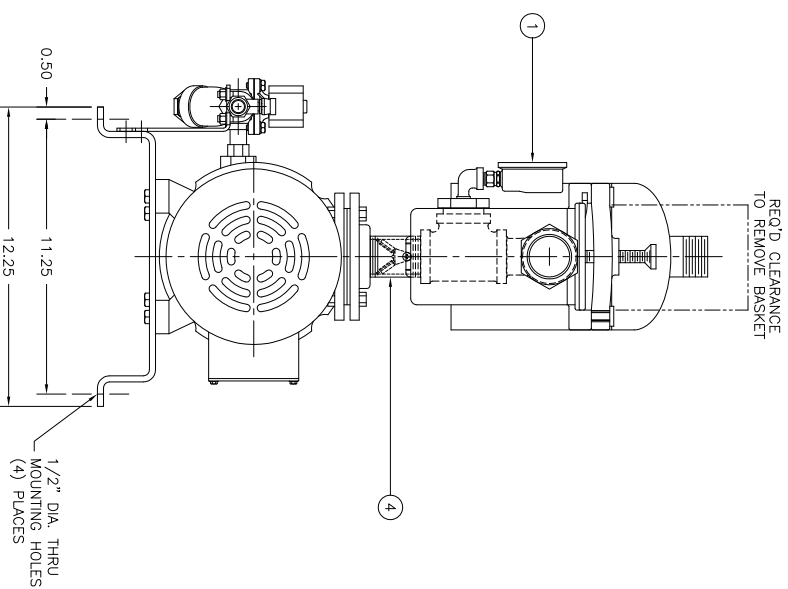
Label Bag & Sleeve from Vacuum Pumping and Systems

REV	DESCRIPTION	DATE	APPR
REVISIONS			



BILL OF MATERIALS	
ITEM	DESCRIPTION
1	VACUUM GAUGE - 0-30"HgV BRS 2.5" DIAL
2	Y-STRAINER - 0.375" NPT CI 20 MESH
3	BALL VALVE - 0.38" NPT BRS/BRS/P/TFE
4	CHECK VALVE - HINGED 1.25" NPT SS/EP
5	CHECK VALVE - SWING 0.50" NPT BRS W/TEFLON SEAT
6	SOLENOID VALVE - 0.375" NPT N4 NC BRS/BUINA
7	FLOW CONTROL VALVE - 0.50" NPT NKL/BRS/BUINA
8	SEPARATOR - NR/PRE 6" X 9" CS 1-1/4" NPT
9	BASEPLATE - WATERSEALED TRW030H-1NR CS
10	LIQUID RING VACUUM PUMP ASS'Y - W/MTR
11	BRACKET PIPE 3/8" SUBASSEMBLY
12	STRAINER BASKET/BODY 1.25"

GENERAL ARRANGEMENT DRAWING ONLY



- NOTES:
- 1) LOCATE VACUUM SYSTEM ON A LEVEL SURFACE.
 - 2) PLUG PORTS WITH SQUARE HEAD NPT PIPE PLUGS.

REV	DESCRIPTION	DATE	APPR

THIS PRINT IS PROPERTY OF TRAWANI PUMPS USA, INC. AND MAY NOT BE GIVEN TO ANY OTHER CONCERN WITHOUT THE CONSENT OF TRAWANI PUMPS USA, INC.

TOLERANCES

DECIMAL ± .00"
 FRACTIONAL ± 1/2"
 ANGULAR ± 0° 30' 00"

UNLESS OTHERWISE SPECIFIED IN DRAWING

PART NO.	S/N NO.	DWG BY:	CHK BY:	DATE:
		JCL		11/13/15

WEIGHT: - SCALE: 1 = 4

DESCRIPTION: TRW030H-1NR
 MODEL NO.: GENERAL ARRANGEMENT DRAWING
 TRW030H-1NR DWG NO.: -

TRAWANI PUMPS USA
 Liquid Ring & Rotary Vane Vacuum Pumps and Systems