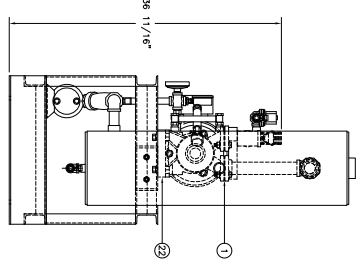
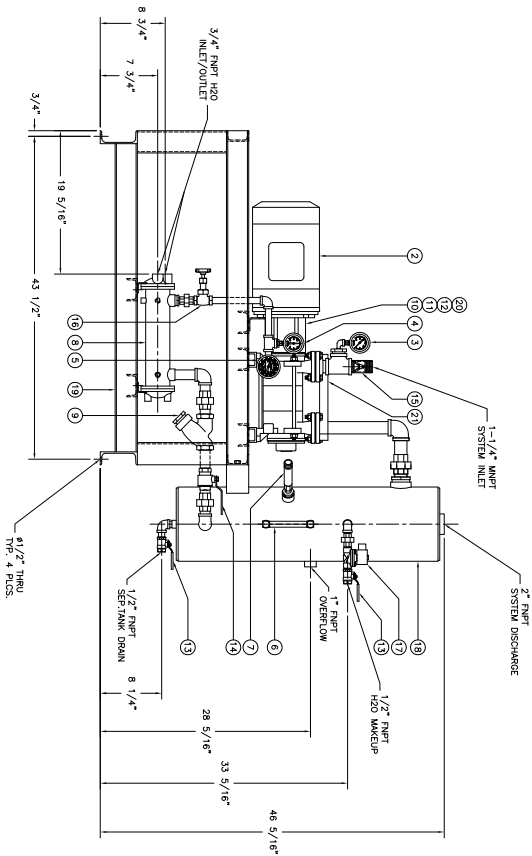


GENERAL ARRANGEMENT DRAWING ONLY



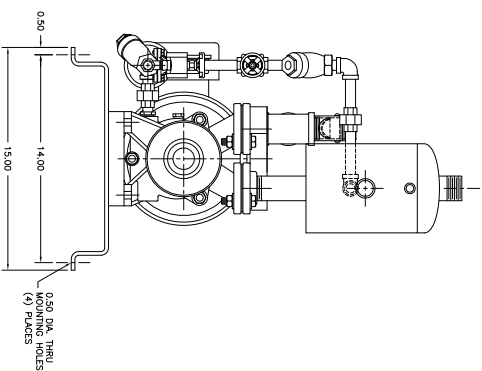
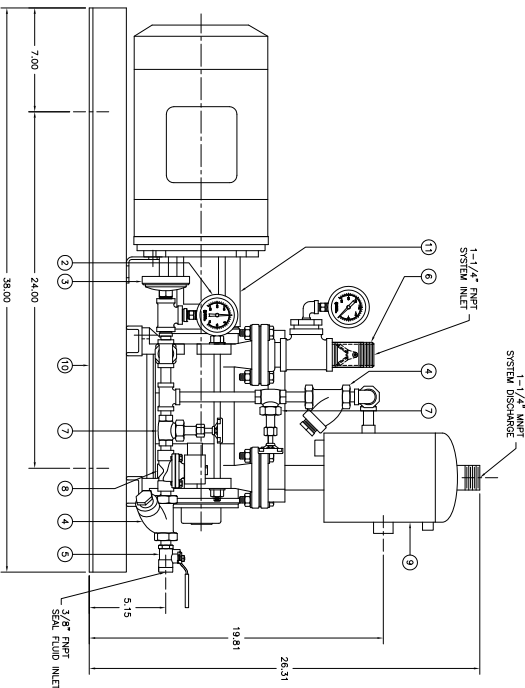
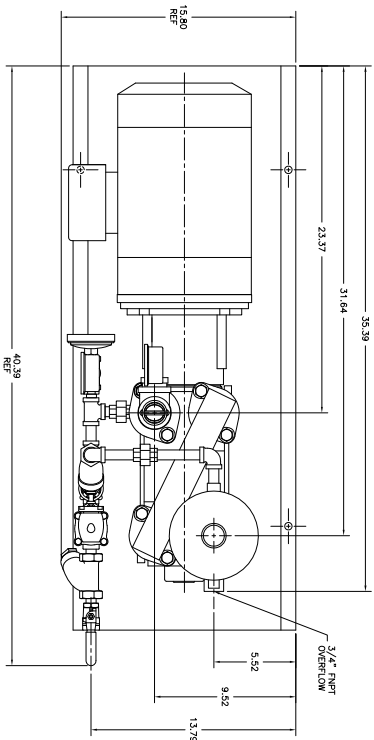
BILL OF MATERIALS		
ITEM	QTY	DESCRIPTION
1	2	GASKET FLAT MANNING
2	1	MOTOR SHP 2P TEFC 184TC
3	1	GAUGE W/C 0-30" H ₂ O BRASS
4	1	GAUGE COMP 30/0/15 BRASS
5	1	GAUGE TEMP 20/240-10/110 3" DIA
6	1	GAUGE LEVEL 1/2" NPT 6" CS/2N
7	1	SWITCH LEVEL 1" XP BRASS/SS
8	1	HEAT EXCHANGER 03 X 14 4P CS/CHR/CI
9	1	STRAINER 1" 1" THD CI
10	1	DRIVE COUPLING SU 1 1/8" CI
11	1	DRIVE COUPLING SU 19MM CI
12	1	COUPLING ELEMENT SIZE 5-JE
13	2	VALVE BALL 1/2" THD SP BRASS
14	1	VALVE BALL 1" THD PP BRASS
15	1	VALVE CHECK HINGE 1 1/4" THD SS/BRASS
16	1	VALVE GLOBE 1/2" THD BRZ
17	1	VALVE SOLENOID 1/2" 1/4" NC BRASS
18	1	SEPARATOR 10" OD X 37" LG 1-1/2" N & 2" OUF CS
19	1	BASEPLATE H2O FR 45" X 20" X 20"
20	1	MONOBLOCK ASSY TR1830 184T
21	1	VACUUM PUMP U10 RING 25TG MECH SEALS
22	2	RISER BLOCK

- NOTES:
- 1) LOCATE SYSTEM ON A FLAT, LEVEL SURFACE
 - 2) PLUG ALL UNUSED PORTS WITH SQUAREHEAD PIPE PLUGS

REV	DESCRIPTION	DATE	APPR
REVISIONS			

THIS PRINT IS PROPERTY OF TRAWANI PUMPS USA, INC. AND MAY NOT BE GIVEN TO ANY OTHER CONCERN WITHOUT THE CONSENT OF TRAWANI PUMPS USA, INC. TOLERANCES DECIMAL ± .0025" FRACTIONAL ± 1/32" ANGULAR ± 0° 30' 00" UNLESS OTHERWISE SPECIFIED IN DRAWING	PART NO. _____ DWG BR: _____ CHK BR: _____ DATE: 11/13/15 ICD: _____ APPROVED BR: _____ SCALE: 1 = 8
---	--

 Liquid Ring & Heavy Vapor Vacuum Ringing and Systems	DESCRIPTION: TRWQ4QH-1FR MODEL NO.: TRWQ4QH-1FR DWG NO.: _____ REV: _____
--	--



GENERAL ARRANGEMENT DRAWING ONLY

BILL OF MATERIALS		
ITEM	QTY	DESCRIPTION
1	1	GAUGE VACUUM 30-307HG
2	1	COMPOUND GAUGE - 30/0/15 BRIS 2.5" DIA
3	1	GAUGE TEMP/27NPT
4	2	Y-STRAINER - .375" NPT CI 20 MESH
5	1	BALL VALVE - .375" NPT BR5/BR5/STE
6	1	CHECK VALVE - HINGED 1.25" NPT CS/AL/BR/BA
7	2	GLOBE VALVE - .375" NPT BR2/TEFLON
8	1	SOLENOID VALVE - .375" NPT N4 NC BR5/BR/BA
9	1	SEPARATOR - NR/FR 6" X 8" OS 1-1/4" NPT
10	1	BASEPLATE - 36" X 12" X 2.5" CS
11	1	LIQUID RING VACUUM PUMP ASSY

- NOTES:
 1) LOCATE VACUUM SYSTEM ON A LEVEL SURFACE.
 2) PLUG PORTS WITH SQUARE HEAD NPT PIPE PLUGS.

REV	DESCRIPTION	DATE	APPR
REVISIONS			

THIS PRINT IS PROPERTY OF TRAWANI PUMPS USA, INC. AND MAY NOT BE GIVEN TO ANY OTHER CONCERN WITHOUT THE CONSENT OF TRAWANI PUMPS USA, INC.

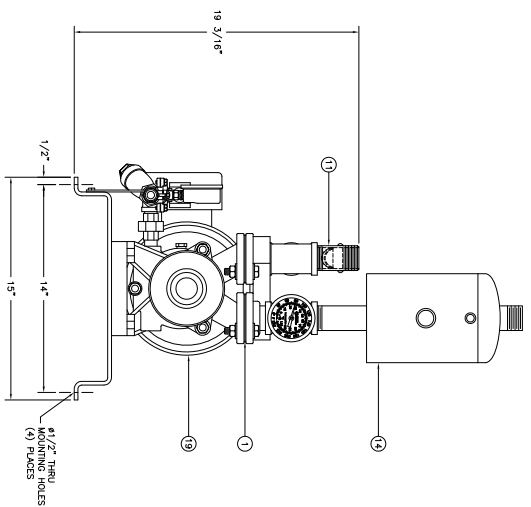
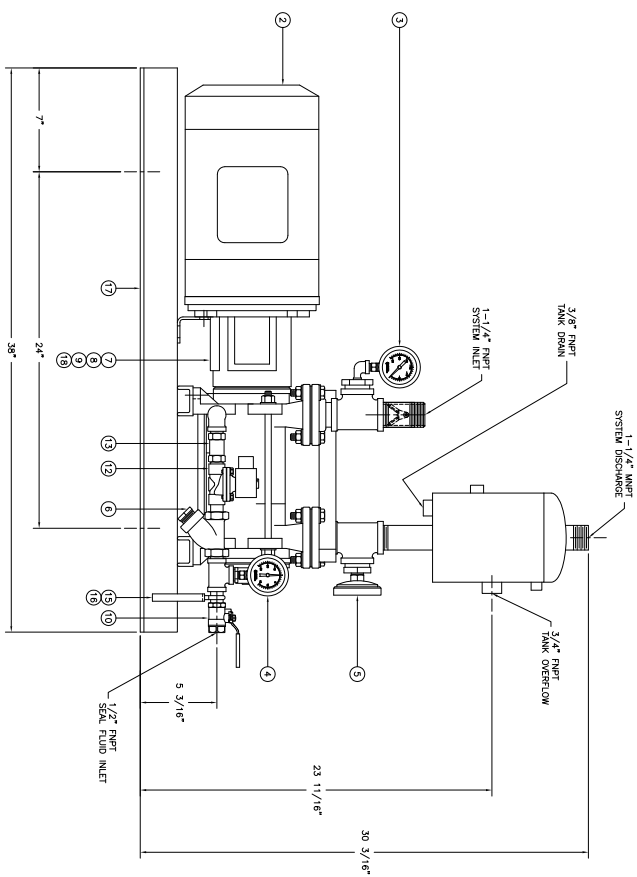
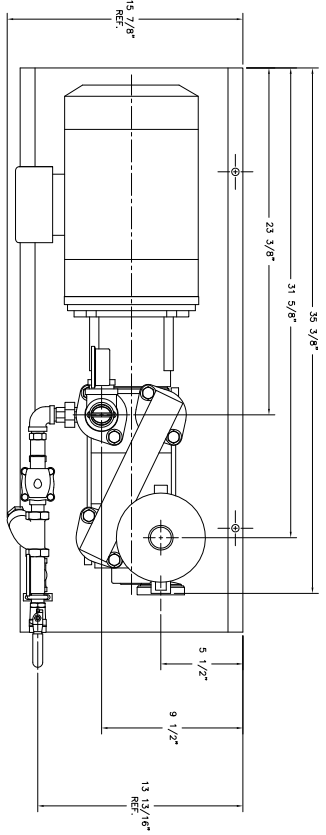
TOLERANCES
 DECIMAL ± DEC.TOL
 FRACTIONAL ± FRACT.TOL
 ANGLE ± Ø 30 00"
 UNLESS OTHERWISE SPECIFIED IN DRAWING

PART NO. _____
 DIMS BR: _____ DATE: 11/13/15
 ICIJ _____ SCALE: _____
 WEIGHT: _____

DESCRIPTION: TRW040H-1PR
 GENERAL ARRANGEMENT DRAWING
 MODEL NO. TRW040H-1PR
 DIMS NO. _____

Liquid Ring & Steam Vapor Vacuum Pumping and Systems

GENERAL ARRANGEMENT DRAWING ONLY



BILL OF MATERIALS		
ITEM	QTY	DESCRIPTION
1	2	GASKET FLAT 2-11/16" O.D. X 1-3/8" I.D.
2	1	MOTOR 5 HP 2P TEFC 184TC 3/208-230/460V
3	1	GAUGE VACUUM 0-30" HG BRASS
4	1	GAUGE COMPOUND 30.0/0/15 BRASS
5	1	GAUGE TEMP 0-250°F--18-120°C
6	1	STRAINER 1/2" THD CI
7	1	COUPLING SJ 1-1/8" CI
8	1	COUPLING SJ 19MM CI
9	1	ELEMENT COUPLING SIZE 3-JE
10	1	VALVE BALL 1/2" THD BRASS
11	1	VALVE CHECK HINGE 1-1/4" THD SST/BIWA
12	1	VALVE SOLENOID 1/2" THD N4 NC BRASS 120V
13	1	VALVE FLOW CONTROL 4 GPM
14	1	SEPARATOR NS/FR CS
15	1	BRACKET U BOLT 1/2" PIPE
16	1	BRACKET PIPE 7-3/4" X 2-1/2" CS
17	1	BASEPLATE 38" X 15" X 2-1/2" CS
18	1	M-BLOCK ASSY TRN30 184T
19	1	VACUUM PUMP LR 2 STAGE MECH SEAL

NOTES:
 1) GAUGE VACUUM SYSTEM ON A LEAK SURFACE
 2) PUMP PARTS WITH SQUARE HEADS NOT PREP PUMPS
 3) ROTATE ITEM #8 TO ENSURE SEAL LINE CLEARANCE.

THIS PRINT IS PROPERTY OF TRAWANI PUMPS USA, INC. AND MAY NOT BE GIVEN TO ANY OTHER CONCERN WITHOUT THE CONSENT OF TRAWANI PUMPS USA, INC.

DECIMAL: 3. 0625"
 FRACTIONAL: 3/16"
 ANGLE: 30° 00'
 UNLESS OTHERWISE SPECIFIED IN DRAWING

DATE: 11/13/15
 DRAWN BY: JCL
 CHECK BY: JCL
 APPROVED BY: [Signature]

SCALE: 1 = 4

TRAWANI PUMPS USA
Liquid Ring & Heavy Vapor Vacuum Pumping and Systems

TRW040H-1NR
 GENERAL ARRANGEMENT DRAWING
 DWG NO. [Blank]
 REV [Blank]

REV	DESCRIPTION	DATE	APPR
REVISIONS			