

BILL OF MATERIALS		
ITEM	QTY	DESCRIPTION
1	1	GASKET 12 1/2" OD X 10 1/4" ID X 1/8" THK
2	1	GAUGE W/C 0-30/HV 3/16 SST
3	1	GAUGE COMPOUND 30/0/15 3/16 SST
4	2	GAUGE TEMP 202/240-10/110 SST
5	1	GAUGE LEVEL 1/2"HP/10" SST
6	1	SWITCH LEVEL 1" SST
7	1	HEAT EXCHANGER 03X14 4P 3/16 SST
8	1	STRAINER V 1" THD 3/16 SST
9	2	VALVE BALL 1/2" THD SP 3/16 SST
10	1	VALVE BALL 1" THD SP 3/16 SST
11	1	VALVE CHECK HINGE 1" THD SS/BUNA
12	1	VALVE W/C RELIEF 3/4" 3/16 SST ADU
13	1	VALVE SOLENOID 1/2" THD. M4 NC SST/EPDM
14	1	SEPARATOR FR 10" DIA. X 36" LONG 3/16 SST
15	1	BASEPLATE H2O FR CS POWDER COATED OSHA BLUE
16	1	VACUUM PUMP LIO RING 1 STAGE MECH SEALS
17	1	CONTROL PNL 12X12X6 MAX 30XSS (SHIPPED LOOSE)
18	1	

GENERAL ARRANGEMENT DRAWING ONLY

- SYSTEM NOTES:
- 1) LOCATE AND SECURE SYSTEM ON A FLAT, LEVEL SURFACE
 - 2) PUMP EMPTY PORTS WITH SQUARE HEAD NPT PIPE PLUGS.
 - 3) ALL PIPING AND FITTINGS TO BE 316 SST.

REV	DESCRIPTION	DATE	APPR
REVISIONS			

THIS PRINT IS PROPERTY OF TRAWANI PUMPS USA, INC. AND MAY NOT BE GIVEN TO ANY OTHER CONCERN WITHOUT THE CONSENT OF TRAWANI PUMPS USA, INC.

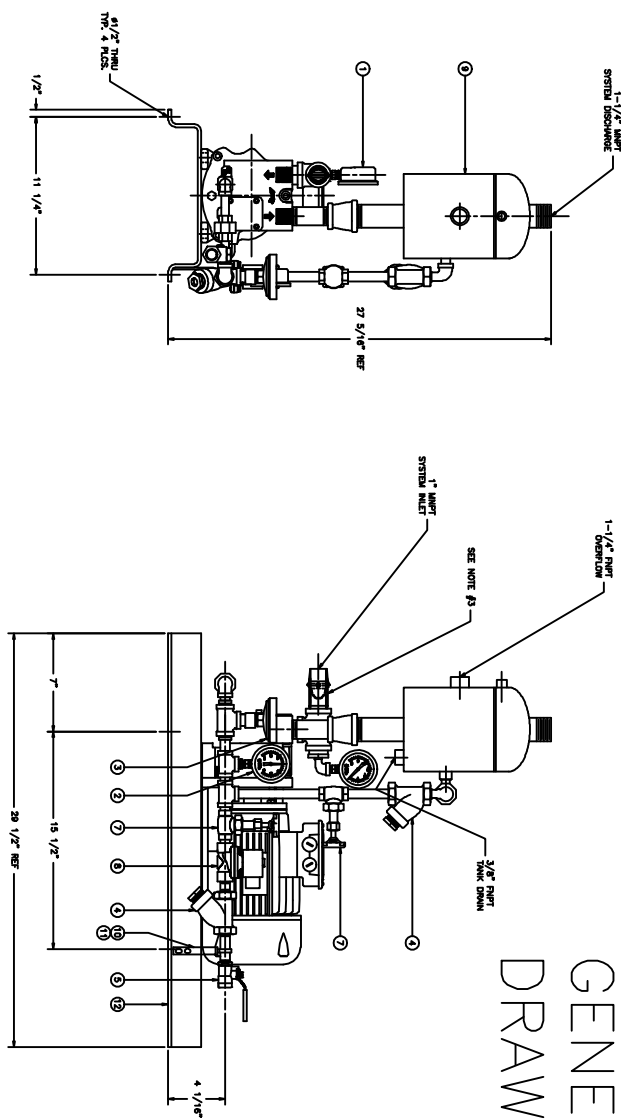
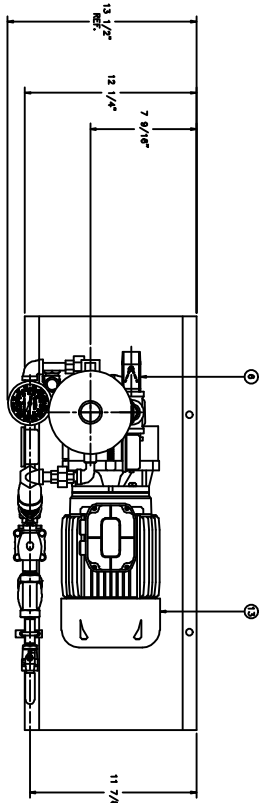
TOLERANCES

DECIMAL ± .0025
 FRACTIONAL ± 1/32"
 ANGLE ± 0° 30' 00"
 UNLESS OTHERWISE SPECIFIED IN DRAWING

PART NO. VARIOUS
 DWS BR: []
 JCU []
 APPROVED BR: []
 SCALE: 1 = 8

DESCRIPTION: TRW04QM-1FR
 GENERAL ARRANGEMENT DRAWING

TRAWANI PUMPS USA
 Liquid Ring & Heavy Vapor Recovery Pumping and Systems



GENERAL ARRANGEMENT DRAWING RR

SYSTEM NOTES:
 1. SYSTEM ON A LEAK SURFACE.
 2. PUMP AND VALVES POINTS WITH SOLAR.
 3. ITEM #8 MUST BE ORIENTED AS SHOWN.

ITEM	QTY	DESCRIPTION
1	1	VACUUM GAUGE - 0-30 HG/V BRSS
2	1	VALVE COMPOUND 20/0/7/6 BRASS
3	1	VALVE TEMP 20/26V--10/110C
4	2	STRAINER V 3/8" THD. CI
5	1	VALVE BALL 3/8" THD. SP BRASS
6	1	VALVE CHECK HINGE 1" THD. SS/BRUN
7	2	VALVE GLOBE 3/8" THD. BRZ
8	1	VALVE SOLENOID 3/8" THD. H4 MC BRASS
9	1	SEPARATOR HR/PR 6" X 9" CS
10	1	BRACKET U BOLT 3/8" PRT
11	1	BRACKET PRT
12	1	BRACKET WATERSEAL
13	1	LIQUID RING VACUUM PUMP - 1 STAGE

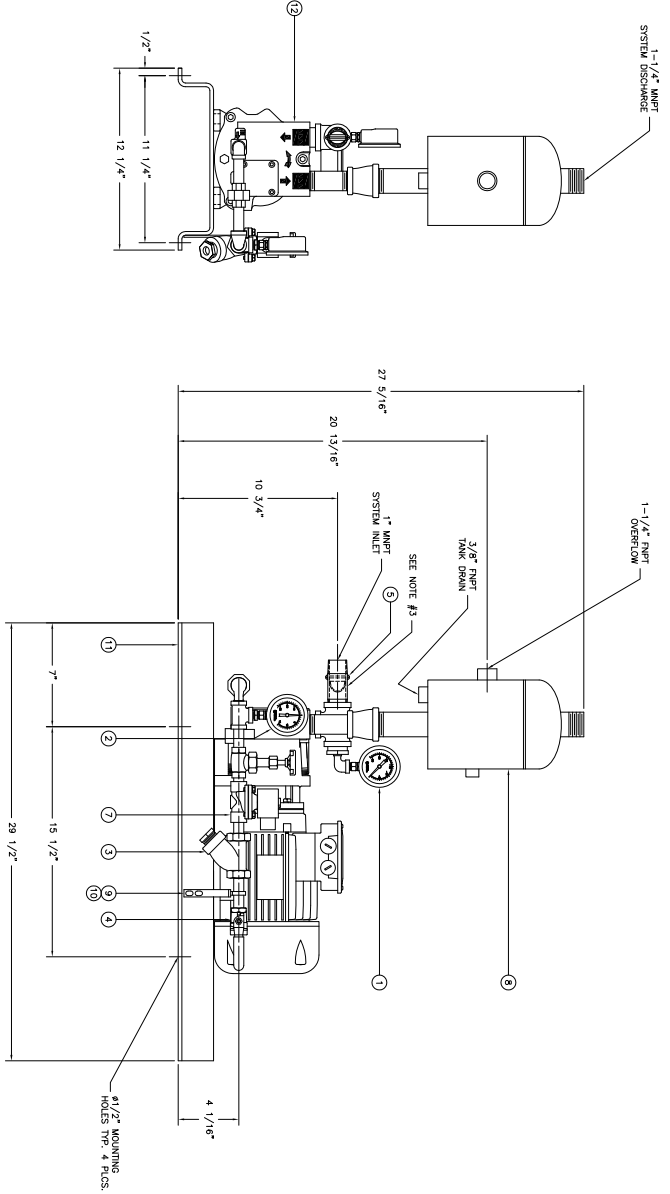
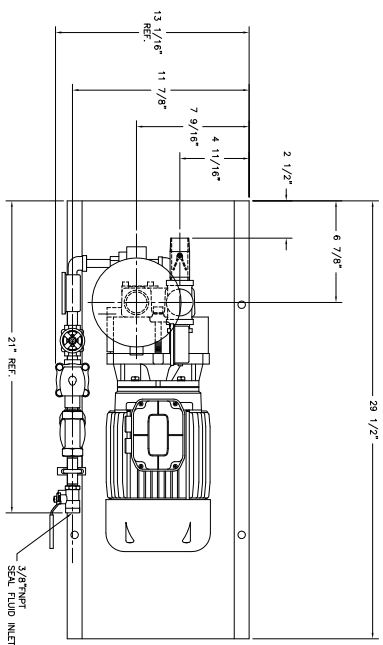
REV	DESCRIPTION	DATE	APPN
REVISIONS			

THIS PRINT IS PROPERTY OF TRAMM PUMPS USA, INC. AND MAY NOT BE LOANED TO ANY OTHER COMPANY WITHOUT THE CONSENT OF TRAMM PUMPS USA, INC.	
TOLERANCES	
DECIMAL	± .0005"
FRACTIONAL	± 1/2"
ANGULAR	± 0.50 DEG
UNLESS OTHERWISE SPECIFIED IN DRAWING	
TRAMM NO.	1974 NO.
DESIGNER	CHECKER
DATE	DATE
APPROVED BY	SCALE 1 = 4

	TRAMM PUMPS USA <small>1441 Hwy 8, Irving, Texas, 75038, Phone 972-251-1111</small>
ISO 9001 WATERSEAL LIQUID RING SIMPLEX - 3HP PARTIAL RECOVERY VACUUM SYSTEM	MODEL NO. TRM04M-1PR DWG NO.

BILL OF MATERIALS		
ITEM	QTY	DESCRIPTION
1	1	VACUUM GAUGE - 0-30 IN-HG BRSS
2	1	GAUGE COMPOUND 30/0/15 BRASS
3	1	Y-STRAINER - 3/8" THD CI
4	1	BALL VALVE - 3/8" NPT THD SP BRSS
5	1	CHECK VALVE - HINGED 1" THD SST/BRUNA
6	1	VALVE, GATE 3/8" GATE
7	1	SOLENOID VALVE - 3/8" THD N4/NC BRSS
8	1	SEPARATOR - 6" DIA. X 9" LG 1-1/4" NPT IN/OUT
9	1	BRACKET "J" BOLT 3/8" PIPE
10	1	BRACKET PIPE
11	1	BASEPLATE - WATERSEALED
12	1	LIQUID RING VACUUM PUMP - 1 STAGE

GENERAL ARRANGEMENT DRAWING ONLY



- SYSTEM NOTES:
1. SYSTEM ON A LEVEL SURFACE.
 2. PLUG ANY UNUSED PORTS WITH SQUAB.
 3. ITEM #3 MUST BE ORIENTED AS SHOWN.
 4. ROTATE ITEM #3 TO ENSURE SEAL LINE CLEARANCE.
 5. SEAL LIQUID SOLIDIFY SHOULD CLOSE 5 SECONDS PRIOR TO MOTOR SHUT DOWN TO AVOID FLOODING THE PUMP.

REV	DESCRIPTION	DATE	APPR
REVISIONS			

THIS PRINT IS PROPERTY OF TRAWANI PUMPS USA, INC. AND MAY NOT BE GIVEN TO ANY OTHER CONCERN WITHOUT THE CONSENT OF TRAWANI PUMPS USA, INC.

TOLERANCES

DECIMAL ± .0025"
 FRACTIONAL ± 1/32"
 ANGULAR ± 0° 30' 00"
 UNLESS OTHERWISE SPECIFIED IN DRAWINGS

PART NO. VARIOUS
 DATE 11/19/15
 SCALE 1 = 4

DESCRIPTION: TRW040M-1NR GENERAL ARRANGEMENT DRAWING
 MODEL NO. TRW040M-1NR
 DWG NO. _____

TRAWANI PUMPS USA
 Liquid Ring & Steam Jet Vacuum Pump and System