

BILL OF MATERIALS			
ITEM	QTY	DESCRIPTION	PART NUMBER
1	1	GAUGE VAC. 0-30"HG BRS	400-0025-F000
2	1	GAUGE TEMP. 20/240-10/110 3" DIA	410-0050-F001
3	1	GAUGE LEVEL .50"NPT 6" AL/BRS/VT	420-0050-A008
4	1	SWITCH LEVEL, 1" BRS/SS	465-0100-A000
5	1	HEAT EXCHANGER 03 X 14 4P BRS/CRV/CI	524-0314-A000
6	1	STRAINER V .75" THD CI	660-0075-A001
7	2	VALVE BALL .50" THD SP BRS	801-0050-B000
8	1	VALVE CHECK HINGE 1.25" THD SS	820-0125-A004
9	1	VALVE GLOBE .75" THD BRZ	835-0075-A000
10	1	BASEPLATE 120 44 X 16" FR	950-0007-2010
11	1	SEPARATOR FR 8" DIA. X 24" LONG CS	903-0011-1710
12	1	VACUUM PUMP LID RING 1 STAGE MECH SEALS	TR932-50/NZ
13	1	GAUGE COMP. 30/0/15 BRS 2.5" DIA	401-0025-F000
14	1	NON-BLOCK ASSY	AMB-TR30-145T
15	1	GAUGE BULB/STVE .50" CS	421-0050-C001
16	1	VALVE BALL .75" THD BRS	802-0075-B000
17	1	VALVE SOLENOID .50" THD.	885-0050-B000
18	1	MOTOR 3 HP TEFC 230/460V	231-0030-C003

- NOTES:
 1) LOCATE SYSTEM ON A DATA LABEL SURFACE
 2) PLUG ALL UNUSED PORTS WITH SUITABLE PIPE PLUGS

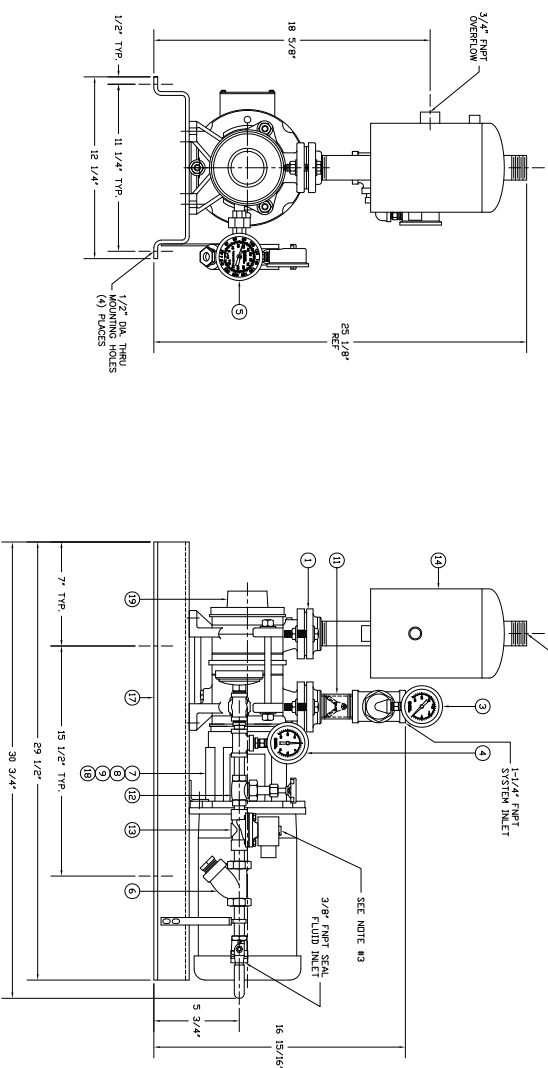
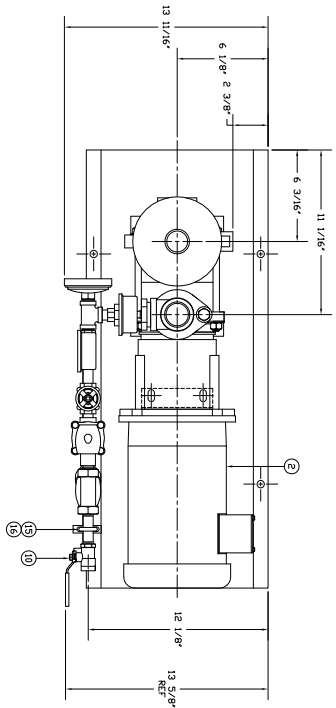
GENERAL ARRANGEMENT DRAWING ONLY

THIS PRINT IS PROPERTY OF TRAWANI PUMPS USA, INC. AND MAY NOT BE GIVEN TO ANY OTHER CONCERN WITHOUT THE CONSENT OF TRAWANI PUMPS USA, INC.
 TOLERANCES
 DECIMAL 3, .0025"
 FRACTIONAL 3/16, 1/8"
 ANGLE 4 0' 30" 00"
 UNLESS OTHERWISE SPECIFIED IN DRAWING

TRAWANI PUMPS USA
 Liquid Ring & Heavy Vapor Vacuum Pumping and Systems

REV	DESCRIPTION	DATE	APPR
REVISIONS			

PART NO.	DATE	SCALE	MODEL NO.	DWG NO.
7094-00	11/20/00	1 = 8	TRW0405-TFR	0011201-D



BILL OF MATERIALS		
ITEM	QTY	PART NUMBER
1	2	GASKET - MAWROUD 1 5/16" ID 176-2813-0000
2	1	MOTOR - 3HP 2P TFC 56C 3/208-230/460V 231-0030-C003
3	1	VACUUM GAUGE - 0-30" Hg BRZ 2.5" DIA 400-0025-F000
4	1	GAUGE COMPOUND 30/0/15 BRASS 401-0025-F000
5	1	GAUGE TEMP 20/240 -10/110 410-0050-F001
6	1	V-STRAINER - 3/8" NPT O 660-0037-A001
7	1	DRIVE COUPLING - 4J 5/8" CI 702-0400-B042
8	1	DRIVE COUPLING - 4J 19MM CI 702-0401-B019
9	1	COUPLING ELEMENT - SIZE 4-JE 752-0400-B011
10	1	BALL VALVE - 3/8" NPT BRZ/BRZ/PTEE 801-0037-B000
11	1	CHECK VALVE - HINGED 1.25" NPT SST/SST/BLVA 820-0125-A006
12	1	VALVE GLOBE 3/8" THD BRZ 835-0037-A000
13	1	SOLENOID VALVE - 3/8" NPT MA NC BRZ 5 PSI 855-0037-B000
14	1	SEPARATOR - IN/RR 6"X3" CS 1.25" NPT 901-9403-1520
15	1	U BOLT 3/8" PIPE 948-9711-1750
16	1	BRACKET PIPE 3/8" 948-9711-1810
17	1	BASEPLATE - WATERSEALED 2" X 12" X 2 3/8" CS 950-9507-2850
18	1	MONSLOCK ASSY - TRS/ASO 145T AM8-TR30-145T
19	1	LIQUID RING VAC PUMP 1-STAGE MESH SEAL TRS32-50/RZ

- NOTES:
- 1) LOCATE VACUUM SYSTEM ON A LEVEL SURFACE WITH SQUARE HEAD
 - 2) NPT PIPE F LUGS SHOULD BE USED
 - 3) DOWN 5 SECONDS PRIOR TO MOTOR SHUT DOWN TO AVOID FLOODING PUMP.

GENERAL ARRANGEMENT DRAWING ONLY

THIS PRINT IS PROPERTY OF TRAWANI PUMPS USA, INC. AND MAY NOT BE GIVEN TO ANY OTHER CONCERN WITHOUT THE CONSENT OF TRAWANI PUMPS USA, INC.

TOLERANCES

DECIMAL ± .0025"
 FRACTIONAL ± 1/32"
 ANGULAR ± 0° 30' 00"
 UNLESS OTHERWISE SPECIFIED IN DRAWING

PART NO. SAKXXS06E13XXY
 DECIMAL 4.0625"
 FRACTIONAL 4 1/32"
 ANGULAR ± 0° 30' 00"
 UNLESS OTHERWISE SPECIFIED IN DRAWING

DESCRIPTION TRAWANS-1NR LIQUID RING VACUUM SYSTEM
 NO RECOVERY 230/460V

MODEL NO. TRW40S-1NR
 DWG NO. 0605221-D

REV. 1

DATE APR

DESCRIPTION REVISIONS

