

BILL OF MATERIALS		
ITEM	QTY	PART NUMBER
1	1	GAUGE, VACUUM 0-30"HG 1/4" MNPT BRASS 400-0025-F000
2	1	GAUGE, COMPOUND 30/0/15 BRASS 1/4" MNPT 401-0025-F000
3	2	GAUGE, TEMP 20/240F-10/110C 1/2" MNPT SS 410-0050-F001
4	1	GAUGE, LEVEL 1/2" MNPT X 6" LONG AL/BRSS/VT 420-0050-A008
5	1	SWITCH, LEVEL 1" MNPT XP 120V BRSS/SS 465-0100-A000
6	1	HEAT EXCHANGER 3" X 14" 4P CS/CPH/CI 524-0314-A000
7	1	STRAINER Y 1" FNPT CI 20 MESH 660-0100-C000
8	2	VALVE, BALL 1/2" FNPT SP BRSS 801-0050-B000
9	1	VALVE, BALL 1" FNPT FP BRSS 802-0100-B000
10	1	VALVE, BALL 1-1/2" FNPT FP BRSS 802-0150-B000
11	1	VALVE CHECK HINCE 1-1/2" MNPT SS/BUVA 820-0150-B002
12	1	VALVE GLOBE 1/2" FNPT BRZ 835-0050-A000
13	1	VALVE, VACUUM RELIEF 3/4" MNPT BRSS ADU 852-0075-B000
14	1	VALVE, SOLENOID 1/2" FNPT N4 NC BRSS 855-0050-B000
15	1	SEPARATOR FR 10" DIA. X 36" LONG 903-0701-0510
16	1	BRACKET CONTROL PANEL CS FOR 15" X 15" ENCL. 948-0502-1710
17	1	BASEPLATE H2O FR CS 46" X 21-3/4" X 20" 960-0711-0710
18	1	VACUUM PUMP LIQUID RING 1 STAGE MECH SEALS 108B832-75/C/CH
19	1	CHIL PNL SHP 480V LOCKOUT M300UT 15 X 15 X 8 ENCL. ZCP-35874-0700

SYSTEM NOTES:

- 1) LOCATE AND SECURE VACUUM SYSTEM ON A FLAT, LEVEL SURFACE.
- 2) PLUG EMPTY PORTS WITH SQUARE HEAD NPT PIPE PLUGS.
- 3) CUSTOMER TO SUPPLY REQUIRED 5 USGPM COOLING WATER.

GENERAL ARRANGEMENT DRAWING ONLY

THIS PRINT IS PROPERTY OF TRAWANI PUMPS USA, INC. AND MAY NOT BE GIVEN TO ANY OTHER CONCERN WITHOUT THE CONSENT OF TRAWANI PUMPS USA, INC.

TOLERANCES
 DECIMAL .0025
 FRACTIONAL 1/32"
 ANGULAR ± 0° 30' 00"
 UNLESS OTHERWISE SPECIFIED IN DRAWING

TRAWANI PUMPS USA
 (Loyal Bagg & Sonny from Vacuum Pumping and Systems)

REV	DESCRIPTION	DATE	APPR
REVISIONS			
1			

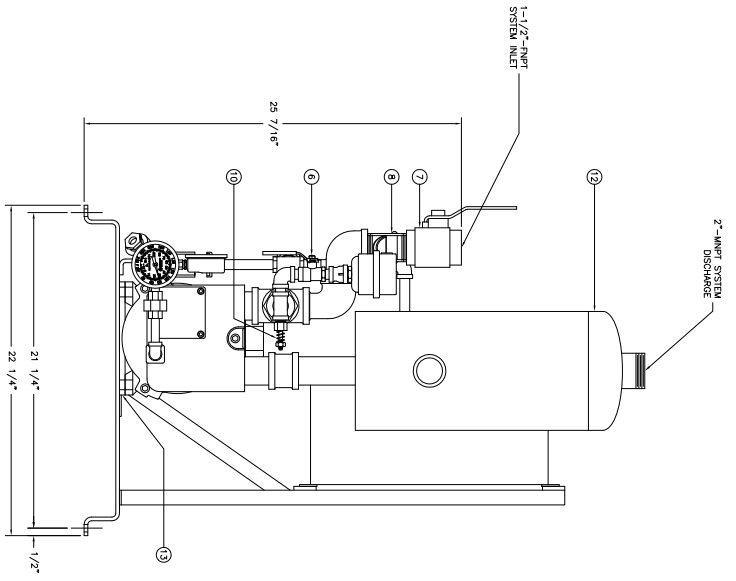
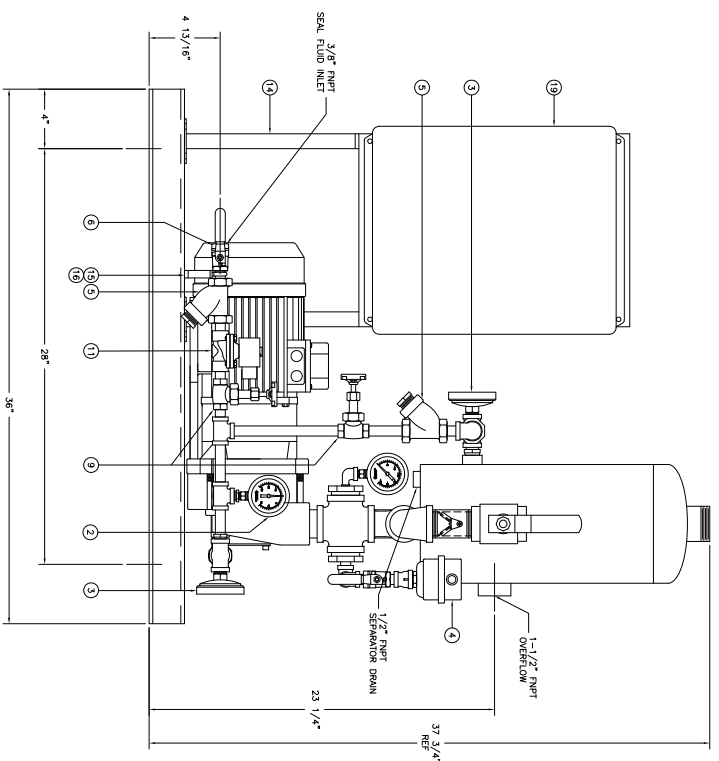
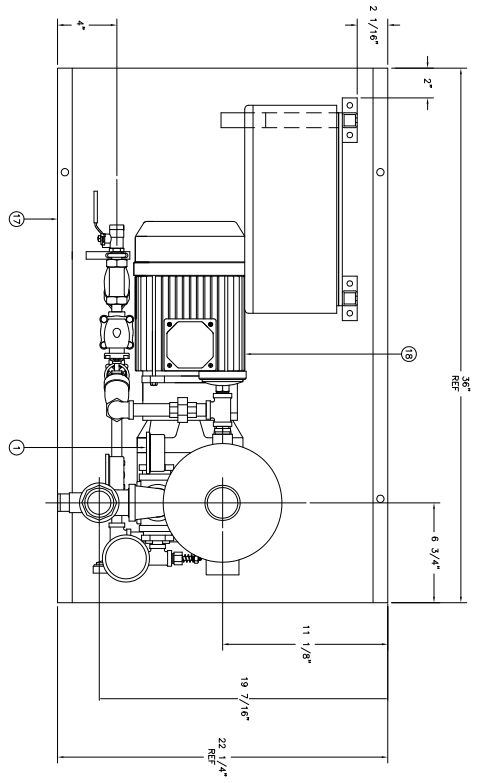
REV	DESCRIPTION	DATE	APPR
1	8	11/07/07	

REV	DESCRIPTION	DATE	APPR
1	8	0711072-D	

PART NO. SC2JXX751F133VA
 DWS BR: CJK BR: DATE
 RV 11/07/07
 APPROVED BR: SCALE: 1 = 8

DESCRIPTION: WATER SEALED FULL RECOVERY 5 HP
 MODEL NO. TRW050M-TFR
 DWS NO. 0711072-D

GENERAL ARRANGEMENT DRAWING ONLY



ITEM	QTY	DESCRIPTION	PART NUMBER
1	1	GAUGE VACUUM 0-30"HG BRASS	400-0025-F000
2	1	GAUGE COMPOUND 1/4" THD	401-0025-F000
3	2	GAUGE TEMP 20/24GT -- 10/110C	410-0050-F001
4	1	FILTER SILENCER 1/2" THD, 10 SCFM POLY ELAMT	602-0050-A001
5	2	STRAINER Y, 3/8" THD, CI	600-0037-C000
6	2	VALVE BALL 3/8" THD, SP BRSS/BRSS/PTFE	801-0037-C000
7	1	VALVE BALL 1-1/2" THD, FP BRSS/SS/PTFE	802-0150-B000
8	1	VALVE CHECK HINGE 1-1/2" THD, SS/VT	800-0150-B004
9	2	VALVE GLOBE 3/8" THD	825-0037-A000
10	1	VALVE VACUUM RELIEF 3/8" NPT BRASS ADJ	852-0037-B000
11	1	VALVE SOLENOID 3/8" N4 MC BRASS	855-0037-B000
12	1	SEPARATOR H2O NR/PR 8" X 18" CS	901-9409-C010
13	1	RISE R BLOCK 3/8" TALL CS	945-9704-C050
14	1	BRACKET CONTROL PANEL	948-0003-C020
15	1	BRACKET U BOLT 3/8" PIPE	948-9711-1750
16	1	BRACKET PIPE	948-9711-1810
17	1	BASEPLATE OIL FR CS	950-9709-1210
18	1	VACUUM PUMP LR 1 STAGE MECH SEAL	TRM032-75/C/SH
19	1	CONTROL PANEL SMPX 16" X 14" X 8" ENCL	ZCP-29178-0600

- SYSTEM NOTES:
- 1) LOCATE AND SECURE SYSTEM ON A FLAT LEVEL SURFACE.
 - 2) PIPE AND UNUSED PORTS WITH SQUARE HEAD NPT
 - 3) ROTIVE Y-STRAINER AS NEEDED TO CLEAR BASEPLATE.

REV	DESCRIPTION	DATE	APPR
A	REMOVED 1/4" PORT FROM TANK PER ECR #491	1/14/07	SS
B	ADDED MANUAL UNLOADER PER ECR#556	02/11/08	MW

THIS PRINT IS PROPERTY OF TRAWANI PUMPS USA, INC. AND MAY NOT BE GIVEN TO ANY OTHER CONCERN WITHOUT THE CONSENT OF TRAWANI PUMPS USA, INC.

TOLERANCES

DECIMAL ± .50"
FRACTIONAL ± 1/2"
ANGULAR ± 0° 30' 00"
UNLESS OTHERWISE SPECIFIED IN DRAWING

SCALE: 1 = 4

REVISIONS

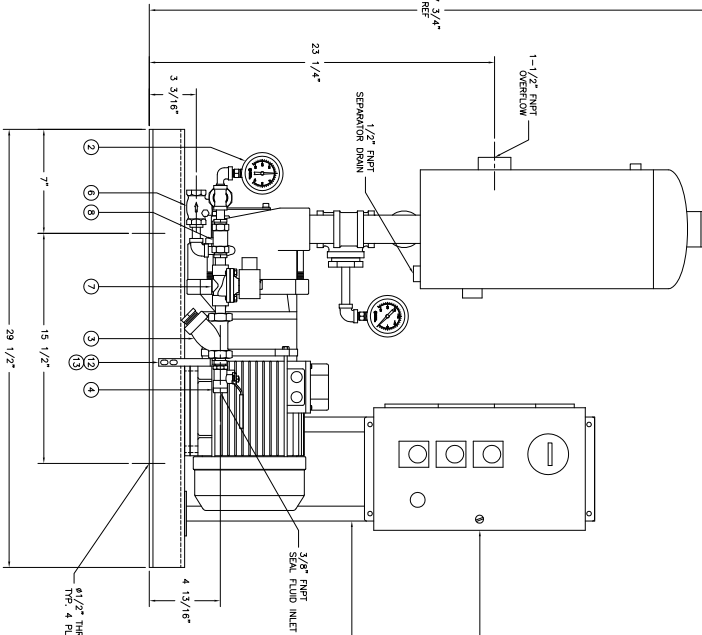
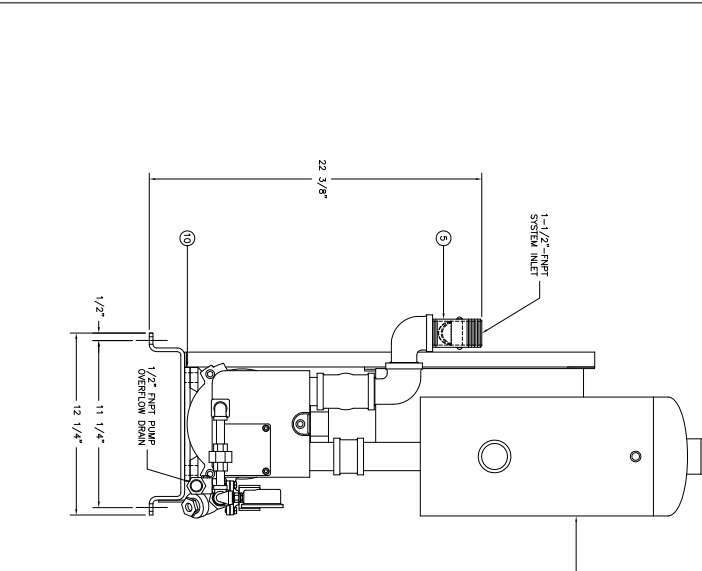
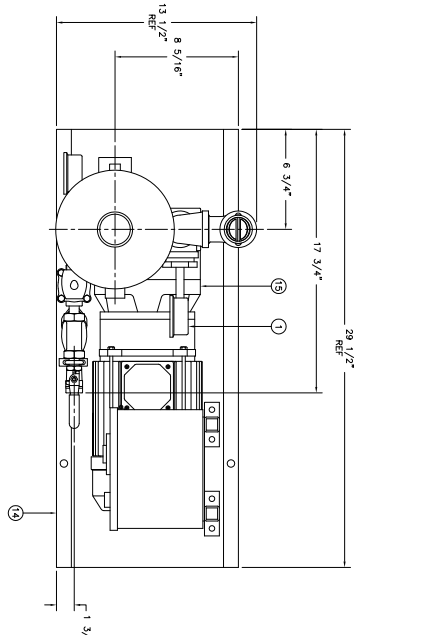
REV	DESCRIPTION	DATE	APPR
B			

Part No. SBXJ00751F13V2
DWS BR: CDM BR: DATE
SS PT 3/10/08
APPROVED BR: SCALE: 1 = 4

Model No. TRW050M-1NR
DWS NO. 0603101-D

TRAWANI PUMPS USA
Liquid Ring & Heavy Vapor Vacuum Pumping and Systems

DESCRIPTION: WATERSEALED SIMPLEX 5 HP 460V PARTIAL RECOVERY VACUUM SYSTEM



ITEM	QTY	DESCRIPTION	PART NUMBER
1	1	GAUGE VACUUM 0-30"HG BRASS	400-0025-F000
2	1	GAUGE COMPOUND 30.0/15 BRASS	401-0025-F000
3	1	STRAINER $\frac{1}{8}$ " THRD CI	660-0037-A001
4	1	VALVE BALL .38 THRD SP BR5/BR5/PTE	801-0037-B000
5	1	VALVE CHECK HINGE 1.50" THRD SS/AIT	820-0130-B004
6	1	VALVE CHECK SWING .5" THD BRASS	821-0050-F000
7	1	VALVE SOLENOID .38" N4 NC BRASS	855-0037-B000
8	1	VALVE FLOW CONTROL 3 GPM 40" THRD	880-0050-A030
9	1	SEPARATOR HD0 NR/RR 8" X 18" CS	901-9409-0810
10	1	RISE BLOCK .38" TALL CS	945-9704-0850
11	2	BRACKET CONTROL PANEL	948-9704-3010
12	1	BRACKET U BOLT .375" PIRE	948-9711-1750
13	1	BRACKET PIPE	948-9711-1810
14	1	BASEPLATE WATERSEALED 29.5" X 12.25" X 2.38"	950-9711-0440
15	1	VACUUM PUMP LR 1 STAGE MECH SEAL	TRM632-79/C/0H
16	1	CONTROL PANEL SUPPLY 14"x8"x6" ENCL	ZLW-0100-0000

- STANDARD NOTES:
- 1) LOCATE SYSTEM ON A LEVEL SURFACE.
 - 2) PUMP AND RELATED PARTS WITH SQUARE.
 - 3) REMOVE ITEM #3 AS NEEDED TO CLEAR BASEPLATE.

GENERAL ARRANGEMENT DRAWING ONLY

REV	DESCRIPTION	DATE	APPR
REVISIONS			

THIS PRINT IS PROPERTY OF TRAWANI PUMPS USA, INC. AND MAY NOT BE GIVEN TO ANY OTHER CONCERN WITHOUT THE CONSENT OF TRAWANI PUMPS USA, INC.

TOLERANCES

DECIMAL ± .005
FRACTIONAL ± 1/32"
ANGULAR ± 0° 30' 00"
UNLESS OTHERWISE SPECIFIED IN DRAWING

PART NO. SAKJ00751F133XX
S/N NO. VARIOUS

DESCRIPTION WATERSEALED SIMPLEX 5 H.P. NO RECOVERY VACUUM SYSTEM

MODEL NO. TRW050M-1NR
DWG NO. 0502281-D

DATE 2/28/05
SCALE 1 = 4

TRAWANI PUMPS USA
Leland Bing & Steve Neve Vacuum Pumping and Systems