

BILL OF MATERIALS		
ITEM	QTY	PART NUMBER
1	2	GASKET, FLAT 3-1/2" OD X 1-5/8" ID
2	1	GASKET, FLAT 12-1/2" OD X 10 1/4" ID X 1/8" THK
3	1	GAUGE, VAC 0-30" HgV
4	1	GAUGE, COMPOUND 30/0/15 316 SST
5	1	GAUGE, TEMP 20/240-10/110 SST
6	1	GAUGE, LEVEL 1/2"NPT 10" SST
7	1	SWITCH, LEVEL 1" 316 SST
8	1	HEAT EXCHANGER 03X14 4P 316SST
9	1	STRAINER Y 1" THD 316 SST
10	2	VALVE, BALL 1/2" THD SP 316 SST
11	1	VALVE, BALL 1" THD SP 316 SST
12	1	VALVE, CHECK HINGE 1 1/2" THD SS/BLMA
13	1	VALVE, GLOBE 1/2" THD 316 SST
14	1	VALVE, SOLENOID 1/2" THD N4 NC/SS/PERMA
15	1	SEPARATOR FR 10" DIA. X 36" LONG 316 SST
16	1	BERSEPLATE H20 FR
17	1	VACUUM PUMP LID RING 1 STAGE, MECH SEALS

NOTES:
 1) LOCATE SYSTEM ON A FLAT, LEVEL SURFACE
 2) PLUG ALL OPEN PORTS WITH SQUARE HEAD PIPE PLUGS.

GENERAL ARRANGEMENT DRAWING ONLY

THIS PRINT IS PROPERTY OF TRAWANI PUMPS USA, INC. AND MAY NOT BE GIVEN TO ANY OTHER CONCERN WITHOUT THE CONSENT OF TRAWANI PUMPS USA, INC.

TOLERANCES
 DECIMAL ± .0025"
 FRACTIONAL ± 1/32"
 ANGLE ± 0° 30' 00"
 UNLESS OTHERWISE SPECIFIED IN DRAWING

PART NO. SC2JX1107F13XXY
 DIMS BR: ICMK BR: IATK
 SS
 APPROVED BR: SCALE: 1 = 6

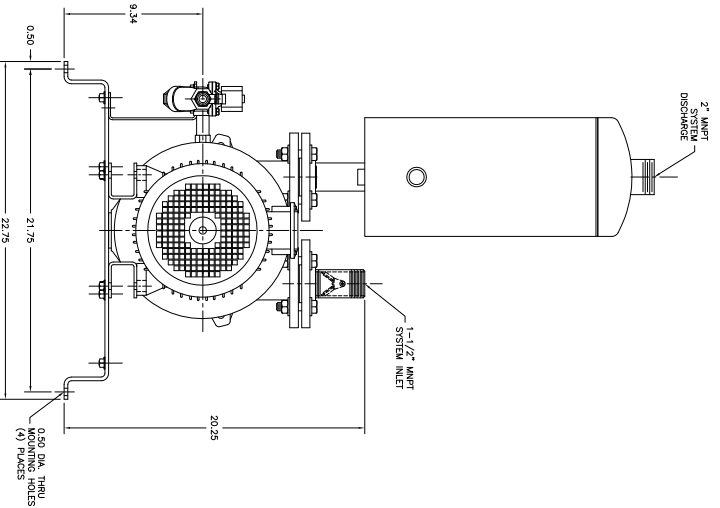
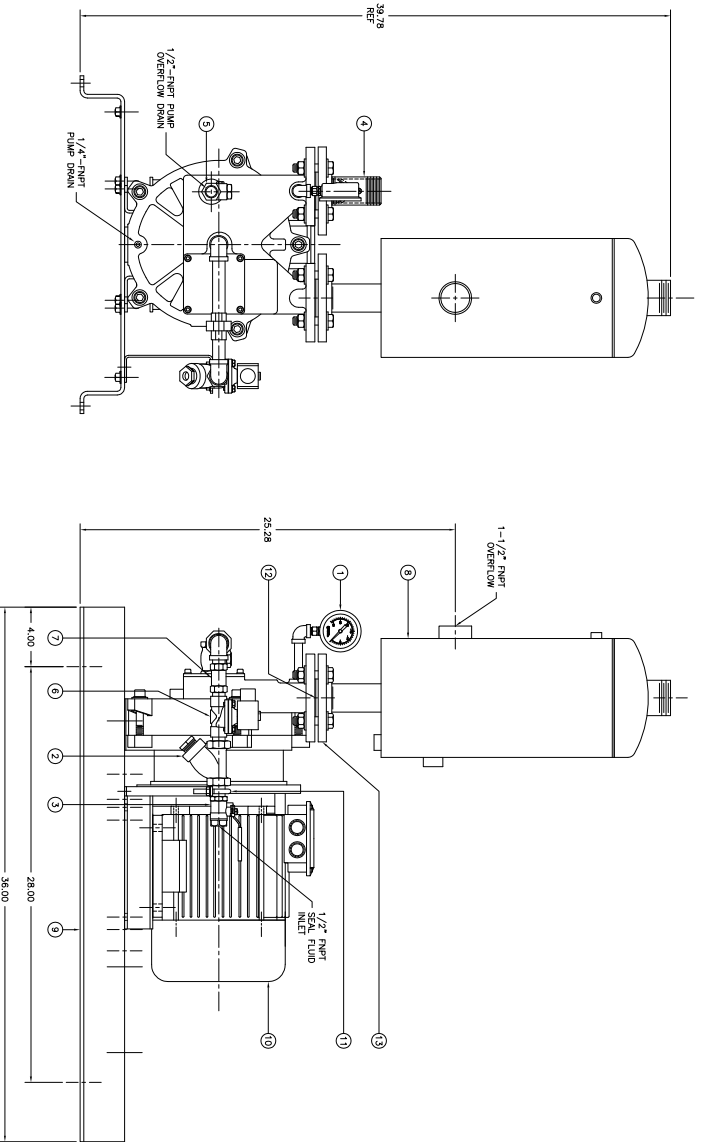
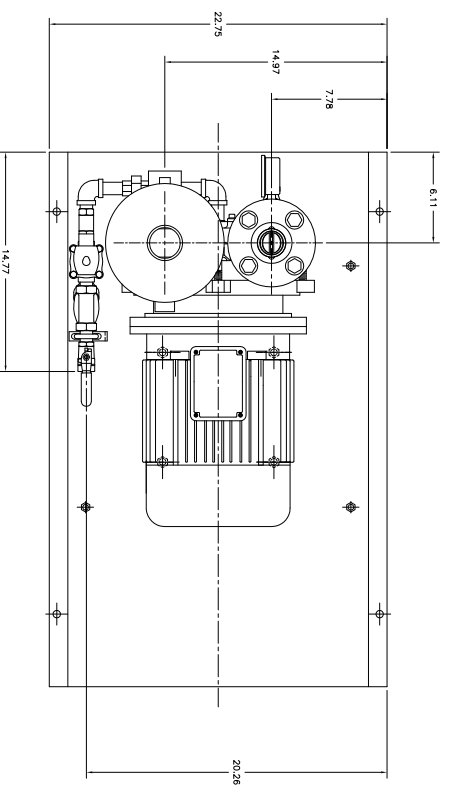
DESCRIPTION: WATER SEALED FULL RECOVERY 5 HP STAINLESS STEEL SIMPLEX VACUUM SYSTEM
 MODEL NO. TRAWOJW-1FR-SS
 DIMS NO. 0606052-D

REVISIONS

REV	DESCRIPTION	DATE	APPR



GENERAL ARRANGEMENT DRAWING ONLY



BILL OF MATERIALS		
ITEM	QTY	PART NUMBER
1	1	400-0025-1000
2	1	660-0050-A001
3	1	801-0050-B000
4	1	820-0150-B002
5	1	821-0050-1000
6	1	855-0050-B000
7	1	880-0050-A040
8	1	901-9409-0810
9	1	950-9709-1210
10	1	TR080-110/0/SH
11	1	948-9709-1920
12	2	94504092651
13	2	FLAB00002031

SYSTEM NOTES:
 1) USE THE SYSTEM OR A LISTED SURFACE.
 2) PUMP ANY PRESSURE SQUARE HEAD PIPE FLUES.
 3) USE ENGLISH ELECTRICAL CONNECTORS FOR MOTOR JUNCTION BOX.

REV	DESCRIPTION	DATE	APPR
A	PER ECR# 306, CHCO SYS. MODEL # FROM TR0701M-1NR	02/10/05	TL

REVISIONS	
DECIMAL	3/32"
FRACTIONAL	1/2"
ANGULAR	1/32"
UNLESS OTHERWISE SPECIFIED IN DRAWING	
DWG BR:	CMK BR:
DWG DATE:	8/23/00
SCALE:	1 = 4
MODEL NO.:	TR0701M-1NR
DWG NO.:	0008232-D

THIS PRINT IS PROPERTY OF TRAWANI PUMPS USA, INC. AND MAY NOT BE GIVEN TO ANY OTHER CONCERN WITHOUT THE CONSENT OF TRAWANI PUMPS USA, INC.

TOLERANCES

DECIMAL 3/32"
 FRACTIONAL 1/2"
 ANGULAR 1/32"

UNLESS OTHERWISE SPECIFIED IN DRAWING

PART NO. N/A
 DESCRIPTION LIQUID RING VACUUM SYSTEM
 WATERSEALED 5.5 H.P. NO RECOVERY

TRAWANI PUMPS USA
 Liquid Ring & Heavy Vapor Vacuum Pumping and Systems