

# GENERAL ARRANGEMENT DRAWING ONLY

SYSTEM NOTES:  
 1.) LOCATE AND SECURE SYSTEM ON A FLAT LEVEL SURFACE.  
 2.) FLOW ALL UNUSED PORTS WITH SQUARE HEAD PIPE PLUGS.

BILL OF MATERIALS		
ITEM	QTY	PART NUMBER
1	2	GASKET MANGOLD 1-3/8" Ø X 1/16" THK. 176-0402-0001
2	1	GASKET FLAT GARELOCK 12.5 X 10.25 X .125 176-1210-0001
3	1	MOTOR 7-1/2HP 4P IEC 231TC 231-0075-0000
4	1	GAUGE VACUUM 0-30 HG/V BRASS 400-0025-F000
5	1	GAUGE COMP 30/0/15 BRASS 401-0025-F000
6	2	GAUGE TEMP 20/240T--10/110C 410-0050-F001
7	1	GAUGE LEVEL 6" 1/2" NPT 420-0050-A006
8	1	SWITCH LEVEL 1" XP BRASS/SST 465-0100-A000
9	1	HEAT EXCH DAX48 2P CS/2PR/CI REMOVABLE TUBES 522-0448-A001
10	1	STRAINER Y 1" THD CI 660-0100-C000
11	1	COUPLING DRIVE 7S 1-3/8" CI 702-0700-B137
12	1	COUPLING DRIVE 7S 28MM CI 702-0702-B028
13	1	ELEMENT COUPLING SIZE 7-JE 752-0100-B001
14	2	VALVE BALL 1/2" THD BRASS 801-0050-B000
15	1	VALVE BALL 1-1/2" THD BRASS 802-0100-B000
16	1	VALVE BALL 1-1/2" THD BRASS 802-0150-B004
17	1	VALVE CHECK HINGE 1-1/2" THD SST/VT 835-0100-B004
18	1	VALVE GLOBE 1" THD BRZ 835-0100-A000
19	1	VALVE VACUUM REL 3/4" THD BRASS ALU 852-0075-B000
20	1	VALVE SOLENOID 1/2" THD N4 NC BRASS 855-0050-B000
21	1	SEPARATOR FR 304SS 10" Ø X 36" LONG 903-0312-1530
22	1	BRACKET CONTROL PANEL CS 948-0502-2310
23	1	BRACKET TBM075H-1TR CS FOR SPECIAL HT EXCH 950-1005-1210
24	1	M-BLOCK ASSY TR5/HHQ 215T AM9-TR40-215T
25	1	TRHE40 01119
26	1	CONTROL PANEL 7-1/2HP 460V 15X15"X8" ENCL ZCP-26540-0000

REV	DESCRIPTION	DATE	APPR
A	CHANGED PUMP TO TRHE40-110	5/5/14	

REV	DESCRIPTION	DATE	APPR
REVISIONS			

DECIMAL	1/32"	1/16"	3/32"	1/8"	3/16"	1/4"	3/8"	1/2"	5/8"	3/4"	1"
FRACTIONAL	1/32"	1/16"	3/32"	1/8"	3/16"	1/4"	3/8"	1/2"	5/8"	3/4"	1"
ANGULAR	1/2°	1/4°	3/8°	1/2°	3/4°	1°	1 1/4°	1 1/2°	1 3/4°	2°	3°
UNLESS OTHERWISE SPECIFIED IN DRAWINGS											

THIS PRINT IS PROPERTY OF TRAWANI PUMPS USA, INC. AND MAY NOT BE GIVEN TO ANY OTHER CONCERN WITHOUT THE CONSENT OF TRAWANI PUMPS USA, INC.

**TOLERANCES**

VARIOUS

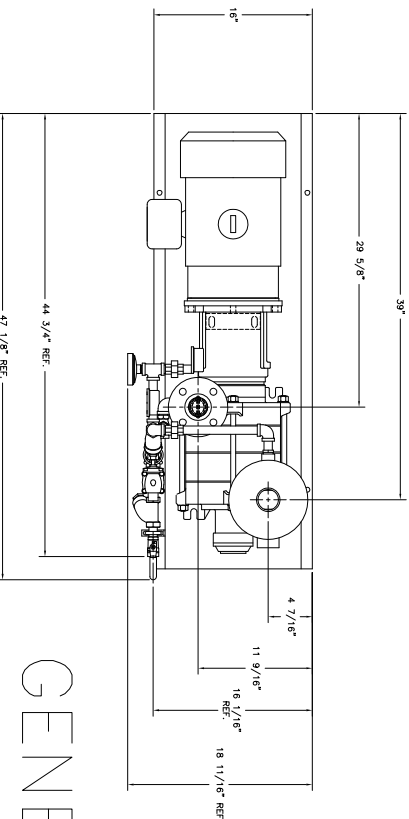
DECIMAL ± .125"  
 FRACTIONAL ± 1/32"  
 ANGULAR ± 0° 30' 00"

UNLESS OTHERWISE SPECIFIED IN DRAWINGS

PART NO. SC2HX1107G139XA  
 DIMS BR: ICM BR: DATE 5/5/14  
 JHI  
 APPROVED BR: SCALE: 1 = 8

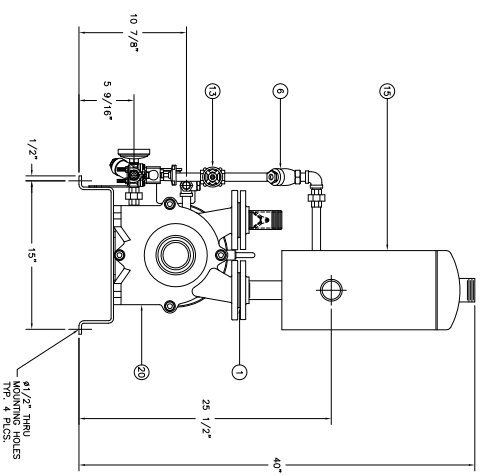
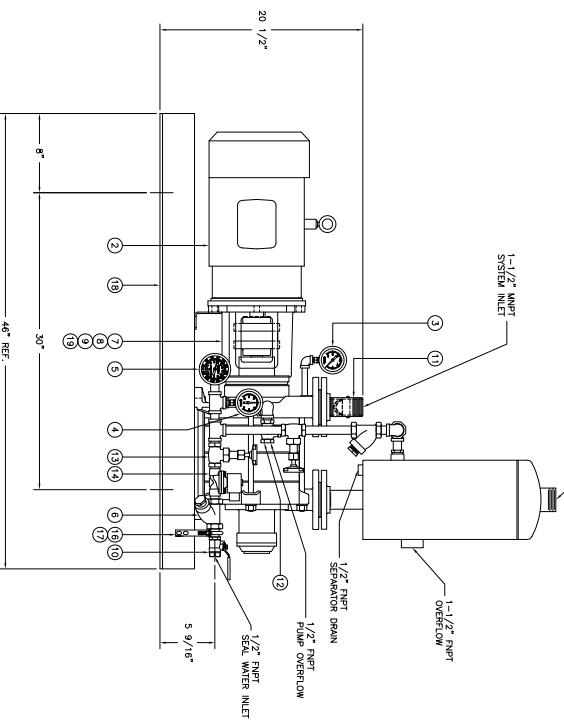
DESCRIPTION: WATERSEALED FULL RECOVERY SIMPLEX 7.5 HP SYSTEM WITH REMOVABLE TUBE BUNDLE  
 MODEL NO. TRM075H-1FR  
 DIMS NO. 1004301-D

**TRAWANI PUMPS USA**  
 Liquid Ring & Heavy Vapor Recovery Pumping and Systems



- SYSTEM NOTES:  
 1) LOCATE VACUUM SYSTEM ON A LEVEL SURFACE.  
 2) PUMP EMPTY PORTS WITH SQUARE HEAD NPT PIPE PLUGS.  
 3) ROUTE 1" STRAINER (ITEM #9) AS NEEDED.

# GENERAL ARRANGEMENT DRAWING ONLY



BILL OF MATERIALS			
ITEM	QTY	DESCRIPTION	PART NUMBER
1	2	GASKET MANGOLD 1-5/8" O. X 1/16" THK.	178-0402-0001
2	1	MOTOR 7-1/2 HP 4P TEFC 213TC	231-0075-C001
3	1	GAUGE VACUUM 0-30" HG V BRASS	400-0025-F000
4	1	GAUGE COMPOUND 30.0/15 BRASS	401-0025-F000
5	1	GAUGE TEMP 20/240T--10/110C	410-0050-F001
6	2	STRAINER 1/2" THD O	660-0050-C000
7	1	COUPLING DRIVE 75 1-5/8" CI	702-0700-B137
8	1	ELEMENT COUPLING SIZE 7-E	752-0700-B001
9	1	VALVE BALL 1/2" THD BRASS	801-0050-B000
10	1	VALVE CHECK HINGE 1-1/2" THD SST/BUVA	820-0150-B002
11	1	VALVE CHECK SWING 1/2" THD BRASS	821-0050-F000
12	2	VALVE GLOBE 1/2" THD BRZ.	835-0050-A000
13	2	VALVE SOLENOID 1/2" THD. N4 NC BRASS	855-0050-B010
14	1	SEPARATOR M/N/P/R 8" X 18" OS	901-9409-0810
15	1	BRACKET U BOLT 1/2" PIPE	948-9703-1820
16	1	BRACKET PIPE	948-9711-2440
17	1	BASEPLATE 46" X 16" X 3-1/2" CS	950-9403-3110
18	1	M-BLOCK ASSY TRS/H40 215T	AMB-TR40-215T
19	1	VACUUM PUMP LR 2 STAGE	TRIC-6-110/F
20	1		

REV	DESCRIPTION	DATE	APP
B	REMOVED 1/4" PORT FROM TANK PER ECR #481	1/14/07	SS
A	ITEM # 1 WAS 176-3617-0000 PER ECR # 398	2/17/06	SS

THIS PRINT IS PROPERTY OF TRAWANI PUMPS USA, INC. AND MAY NOT BE GIVEN TO ANY OTHER CONCERN WITHOUT THE CONSENT OF TRAWANI PUMPS USA, INC.

**TOLERANCES**

DECIMAL ± .0025"  
 FRACTIONAL ± 1/32"  
 ANGLE ± 0° 30' 00"  
 UNLESS OTHERWISE SPECIFIED IN DRAWING

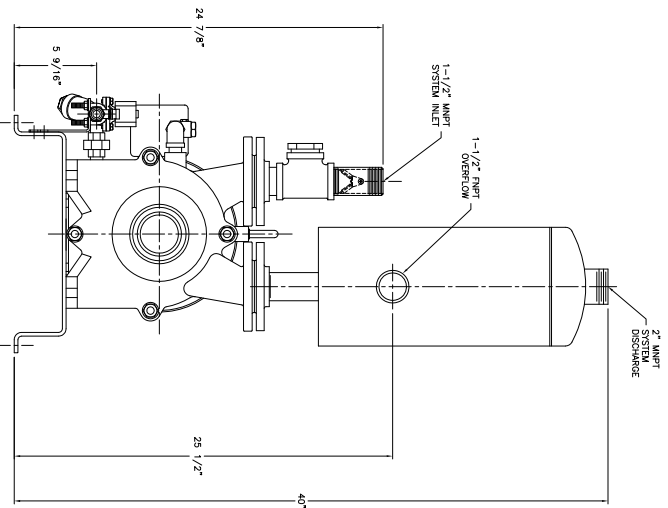
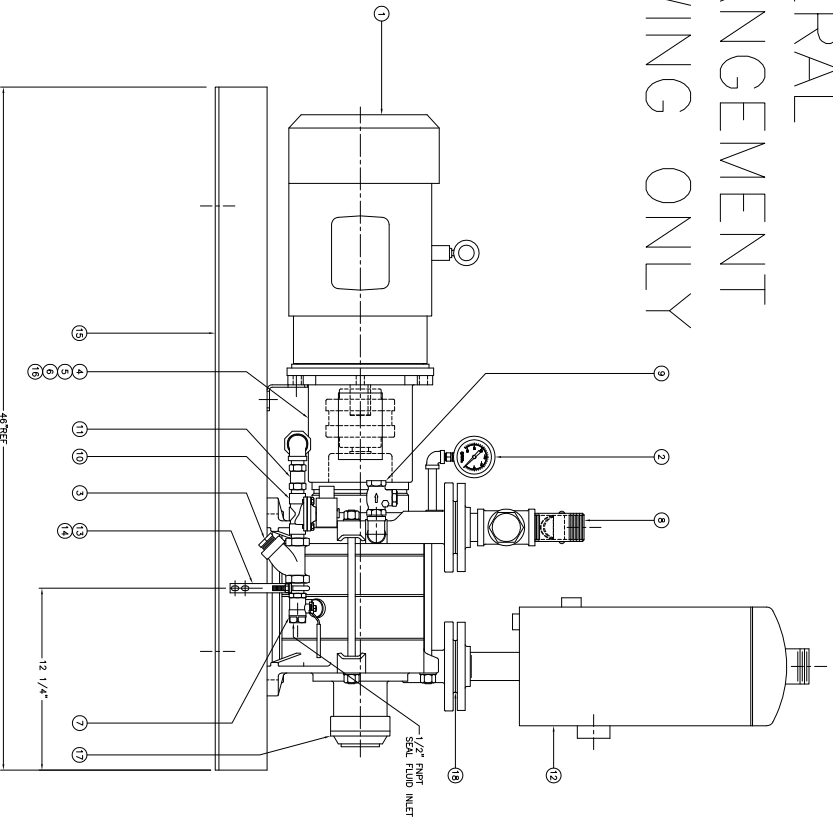
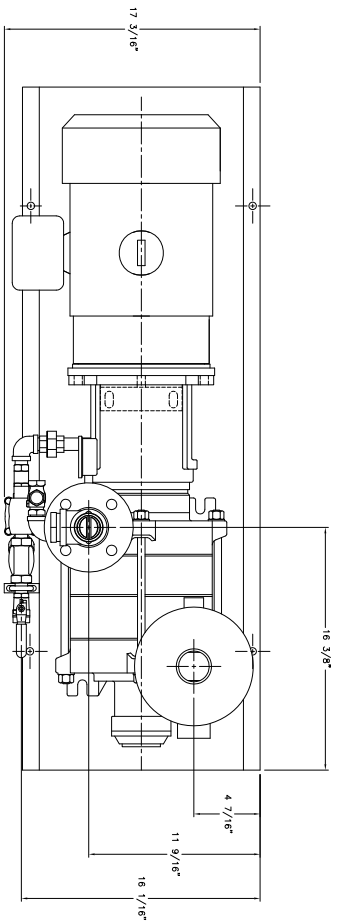
PART NO. SBHX1102G13XX  
 DIMS BR: DIM BR: DATE 4/5/05  
 REV: TL SCALE: 1 = 6

DESCRIPTION: LIQUID RING VACUUM PUMP SYSTEM WATERSEALD PARTIAL RECOVERY 7.5 HP

MODEL NO. TRW075H-1PR DIMS NO. 0504051-0

**TRAWANI PUMPS USA**  
 Liquid Ring & Heavy Vapor Recovery Pumping and Systems

# GENERAL ARRANGEMENT DRAWING ONLY



SYSTEM NOTES:  
 1) LOCATE VACUUM SYSTEM ON A LEVEL SURFACE.  
 2) FUEL EMPTY PORTS WITH SQUARE HEAD NPT PIPE PLUGS.

## BILL OF MATERIALS

ITEM	QTY	DESCRIPTION	PART NUMBER
1	1	MOTOR, 7-1/2HP 4P TECO 213TC	231-0075-C001
2	1	VACUUM GAUGE 0-30"Hg BRS 2-1/2" DIA	400-0025-F000
3	1	Y-STRAINER 1/2" NPT CI	660-0050-C000
4	1	COUPLING, DRIVE 7S 1-3/8"	702-0700-B137
5	1	COUPLING, DRIVE 7S 28MM CI	702-0702-B028
6	1	ELEMENT, COUPLING SIZE 7-JE	801-0050-B001
7	1	BALL VALVE 1/2" NPT BRS/BRS/PFTE	801-0050-B002
8	1	CHECK VALVE HINGED 1-1/2" NPT SST/BUVA	801-0150-B002
9	1	CHECK VALVE SWING 1/2" NPT BRS	821-0050-F000
10	1	SOLENOID VALVE 1/2" NPT M4 NC BRS/BUVA	855-0050-B000
11	1	FLOW CONTROL VALVE 1/2" NPT 4.0 GPM	860-0050-A040
12	1	SEPARATOR M2/P2 1-1/2" NPT	901-9409-C010
13	1	BRACKET U BOLT 1/2" PIPE	948-9709-1920
14	1	BRACKET PIPE	948-9711-2440
15	1	BASEPLATE WATERSHEALED	950-9403-3110
16	1	MONO-BLOCK ASSY TRS/H40 215T	A48-TR40-215T
17	1	LIQUID RING VACUUM PUMP	TRHC40-110/CH
18	2	GASKET MANIFOLD 1 5/8" DIA 1/16" THK	176-0402-0001

REV	DESCRIPTION	DATE	APPR
A	ADD ITEM #18 PER ECR 398	2/17/06	SS

REV	DESCRIPTION	DATE	APPR
1	TRM075H-1NR	11/15/04	TL

THIS PRINT IS PROPERTY OF TRAWANI PUMPS USA, INC. AND MAY NOT BE GIVEN TO ANY OTHER CONCERN WITHOUT THE CONSENT OF TRAWANI PUMPS USA, INC.  
**TOLERANCES**  
 DECIMAL ±.000"  
 FRACTIONAL ± 1/32"  
 ANGULAR ± 0° 30' 00"  
 UNLESS OTHERWISE SPECIFIED IN DRAWING



LIQUID RING VACUUM SYSTEM  
 WATERSEALED NO RECOVERY 7.5 HP  
 DWG NO. 0411154-D