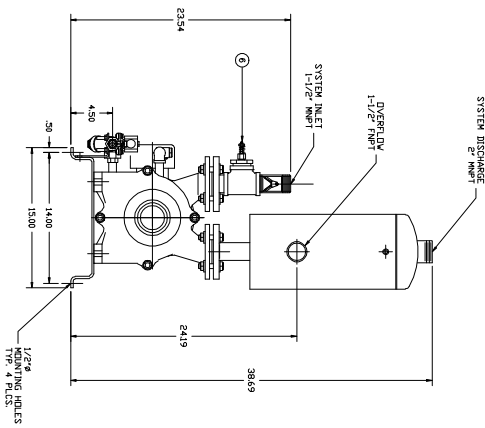


# GENERAL ARRANGEMENT

NOTES:  
 1) LOCATE SYSTEM ON A FLAT, LEVEL SURFACE  
 2) PLUG ALL UNUSED PORTS WITH SQUAREHEAD PPE PLUGS

BILL OF MATERIALS		
ITEM	QTY	PART NUMBER
1	1	400-0025-F000
2	1	660-0050-A001
3	1	601-0050-B000
4	1	820-0150-A004
5	1	821-0050-F000
6	1	852-0052-B000
7	1	855-0050-B001
8	1	880-0050-A040
9	1	901-9403-Q810
10	1	950-9403-Q210
11	1	TR52701000004
12	1	TR527011-2480



REV	DESCRIPTION	DATE	APPR
	REVISIONS		

THIS PRINT IS PROPERTY OF TRAVANI PUMPS USA, INC. AND MAY NOT BE LOANED TO ANY OTHER COMPANY WITHOUT THE CONSENT OF TRAVANI PUMPS USA, INC.

**TOLERANCES**

DECIMAL	± .0005"
FRACTIONAL	± 1/16"
ANGULAR	± 0.50 00°
WELD DIMENSIONS	AS SHOWN IN DRAWING

TRAVANI PUMPS USA  
 Liquid Ring & Slurry Vane Vacuum Pumps and Systems

DESCRIPTION	LIQUID RING WATERSEALD SHP SWIRLEX VACUUM SYSTEM
MODEL NO.	TRW025S-1NR
DWG NO.	9904071-D