

- SYSTEM NOTES**
- 1) LOCATE VACUUM SYSTEM ON A FLAT LEVEL SURFACE.
 - 2) WELD TO BE BRACKET SUPPORTED.
 - 3) DRAW PIPING TO BE BRACKET SUPPORTED.
 - 4) WELD TO SUIT ALL DISCHARGE PIPING.
 - 5) 6" CLEARANCE REQUIRED FOR ELEMENT REMOVAL.

GENERAL ARRANGEMENT DRAWING RR 02/11/2010

| ITEM | QTY | DESCRIPTION | BILL OF MATERIALS |
|------|-----|---|-------------------|
| 1 | 2 | ELBOW 5" NPS LONG RADIUS 90° BUTT WELD CS | |
| 2 | 3 | FLANGE 5" NPS 150# NR SLIP ON CS | |
| 3 | 2 | FLANGE 5" NPS WELDNECK CS | |
| 4 | 3 | FLAT GASKET 7 3/4" OD X 5 9/16" ID | |
| 5 | 1 | FLAT GASKET 7" OD X 2 7/8" ID | |
| 6 | 1 | FLX COUPLING 5" NPS CS/304A | |
| 7 | 1 | MOTOR 75 HP 4P TEC 365T 3/230/480V | |
| 8 | 1 | PUMP CENTRIFUGAL 1.5 HP 2P 230/480V SS/VIT | |
| 9 | 1 | VALVE VACUUM 1/4"NPS 0-30"HG BRG 4" DIAL | |
| 10 | 1 | VALVE COMPOUND 1/4"NPS 30.0"/15 BRG 2.5" DIAL | |
| 11 | 1 | VALVE PRESSURE 1/4"NPS 0/15PSIG BRG 2.5" DIAL | |
| 12 | 1 | VALVE TEMP 1/2" NPS 20/240T-10/110C 3" DIAL | |
| 13 | 1 | VALVE LEVEL 1/2" LG X 1/2" NPS AL/BRG/VIT | |
| 14 | 1 | VALVE LEVEL 1" XP BRG/SS/T | |
| 15 | 1 | SWITCH HI-TEMP 1/2" NPS NK NC AUI | |
| 16 | 1 | HEAT EXCHANGER 1-PASS LIO/LIO PLATE/FRAME | |
| 17 | 1 | FILTER SILENCER 1 1/4" NPS | |
| 18 | 2 | V-STRAINER 1 1/2" NPS DI | |
| 19 | 1 | DRIVE BELT 4/SW950 BAND W/A GROOVE | |
| 20 | 1 | SLIDE BASE 36X1 FRAME W/2 BOLTS | |
| 21 | 1 | OD SHEAVE 4-GROOVE 9" OD | |
| 22 | 1 | OD SHEAVE 4-GROOVE 1" OD | |
| 23 | 1 | OD BUSHING TYPE E 6mm BORE | |
| 24 | 1 | OD BUSHING TYPE E 2 3/8" BORE | |
| 25 | 1 | VALVE BALL 1 1/2" NPS BRG/SS/P/ITE | |
| 26 | 1 | VALVE BALL 1" NPS FP BRG | |
| 27 | 1 | VALVE BALL 1 1/2" NPS FP BRG | |
| 28 | 1 | VALVE CHECK HINGE 5" NPS CS/AL/304A | |
| 29 | 2 | VALVE BALL 1 1/2" NPS FP BRG | |
| 30 | 1 | VALVE CHECK HINGE 1" NPS BRG | |
| 31 | 1 | VALVE GLOBE 1 1/2" NPS BRONZE/TETTON | |
| 32 | 2 | VALVE VACUUM RELIEF 1 1/4" THD SST | |
| 33 | 4 | VALVE SOLENOID 1 1/4" THD BRG | |
| 34 | 1 | ARP/WATER SEPARATOR 5" INLET/DISCHARGE CS | |
| 35 | 1 | V-BELT GARD 1800-1000S 14" OD SH X 3 1/4" OD SH | |
| 36 | 1 | BRACKET CMT. PNL. 1800/1000 23W 24"X18"X4" ENCL | |
| 37 | 1 | BRACKET U BOLT 1" | |
| 38 | 2 | BRACKET U BOLT 1 1/2" | |
| 39 | 1 | BASEPLATE OIL SEALED THT000S-THT000S | |
| 40 | 1 | VACUUM PUMP LIQUID RING 1 STAGE MECH SEAL | |
| 41 | 1 | CONTROL PANEL 24" X 16" X 8" 480V | |
| 42 | 1 | | |

THIS PRINT IS PROPERTY OF TRAWAM PUMPS USA, INC. AND MAY NOT BE GIVEN TO ANY OTHER COMPANY WITHOUT THE CONSENT OF TRAWAM PUMPS USA, INC.

TOLERANCES

DECIMAL ± .0005"
 FRACTIONAL ± 1/32"
 ANGULAR ± 0.30°

UNLESS OTHERWISE SPECIFIED IN DRAWING

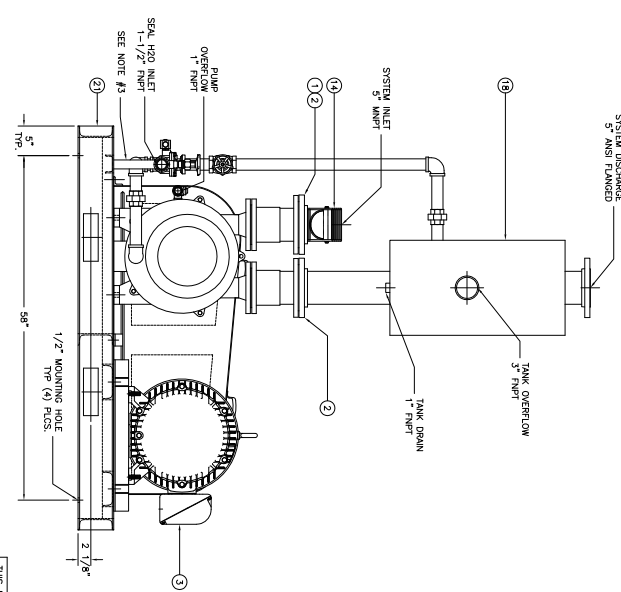
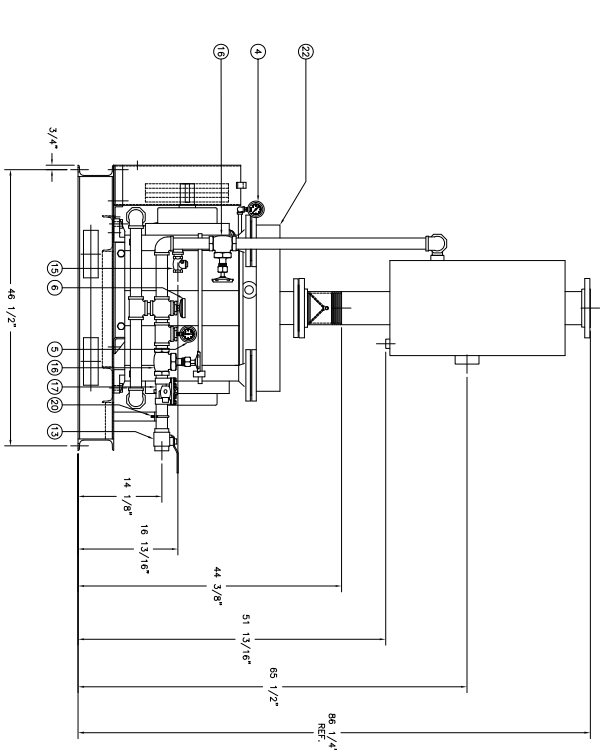
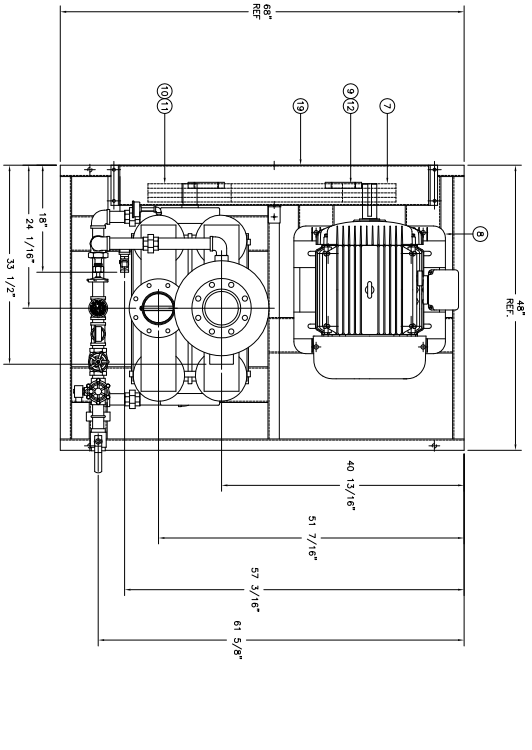
DATE: 5/1/06
 SCALE: 1 = 10

TRAWAM PUMPS USA
 14441 Ring & Shovel Area, Houston, Texas 77040

DESCRIPTION: H2O SEAL 75 H.P. WATER COOLED VACUUM SYSTEM 480V

MODEL NO. TRM1000S-1FR
 DWG NO. _____

| REV | DESCRIPTION | DATE | APPR |
|-----|-------------|------|------|
| | | | |



SYSTEM NOTES:
 1) H2O SEAL, 75 HP, WATER COOLED
 2) PUMP ENTRY PORTS WITH SOLAR HEAD NET PORE FLUOR.
 3) SEAL WATER INLET TO BE BRACKET SUPPORTED.

GENERAL ARRANGEMENT DRAWING ONLY

| BILL OF MATERIALS | | | |
|-------------------|-----|---|-----------------|
| ITEM | QTY | DESCRIPTION | PART NUMBER |
| 1 | 1 | FLANGE 5" THD. 150# REF CS | 161-0500-7011 |
| 2 | 2 | FLAT GASKET 7 3/4" OD X 5 9/16" ID | 176-0704-0001 |
| 3 | 1 | MOTOR 75 HP 4P IEC 365T 3/230/460V | 230-0750-C006 |
| 4 | 4 | GAUGE VACUUM 1/4"NPS 0-30"HgV BR3 4" DIA. | 400-0025-F000 |
| 5 | 1 | GAUGE COMPOUND 1/4"NPS 30.0/15 BR3 2.5" DIA. | 401-0025-F000 |
| 6 | 1 | GAUGE TEMP 1/2" NPS 20/24VF-10/110°C 3" DIA. | 410-0050-F001 |
| 7 | 1 | DRIVE BELT 4.5/5V950 BAND W/4 GROOVE | 764-0850-CSXK |
| 8 | 1 | SLIDE BASE 365T FRAME W/2 BOLTS | 770-365T-A000 |
| 9 | 2 | OD SHEAVE 4-GROOVE 6" OD | 774-0900-B05V |
| 10 | 1 | OD SHEAVE 4-GROOVE 14" OD | 774-1400-B05V |
| 11 | 1 | OD BUSHING TYPE E 60mm BORE | 790-2375-B00E |
| 12 | 1 | OD BUSHING TYPE E 2 3/8" BORE | 790-2375-B00E |
| 13 | 1 | VALVE BALL 1 1/2" NPS FP BR3 | 802-0150-B000 |
| 14 | 1 | VALVE CHECK HINGE 5" NPS CS/L/BRUKA | 820-0500-B000 |
| 15 | 1 | VALVE CHECK SWING 1" NPS CS | 821-0100-F001 |
| 16 | 2 | VALVE GLOBE 1 1/2" NPS BRONZE/TITENUM | 835-0150-A000 |
| 17 | 1 | VALVE SOLENOID 1 1/4" THD BR3 | 885-0150-B000 |
| 18 | 1 | ARG/WATER SEPARATOR 5" INLET/OVERCHARGE CS | 903-1110-0310 |
| 19 | 1 | V-BELT GUARD PROTOI-100S 14 OD SH X 9 1/4 OD SH | 935-9705-0230 |
| 20 | 1 | BRACKET U BOLT 1 1/2" | 948-9704-0330 |
| 21 | 1 | BASEPLATE 68" X 48" X 6" CS | 960-1110-0320 |
| 22 | 1 | VACUUM PUMP LIQUID RING 1 SLICE MECH SEAL | TR5E1251550XC/7 |

| REV | DESCRIPTION | DATE | APPR |
|-----|--|-----------|------|
| A | ADDED FLANGED DISCHARGE AND REMOVED THREADS. | 10/7/9/11 | BC |

| REVISIONS | | | |
|-----------|-------------|------|------|
| REV | DESCRIPTION | DATE | APPR |
| 1 | | | |

THIS PRINT IS PROPERTY OF TRAWANI PUMPS USA, INC. AND MAY NOT BE GIVEN TO ANY OTHER CONCERN WITHOUT THE CONSENT OF TRAWANI PUMPS USA, INC.

TOLERANCES

DECIMAL ± .25"
 FRACTIONAL ± 1/4"
 ANGLE ± 0° 30' 00"
 UNLESS OTHERWISE SPECIFIED IN DRAWING

PART NO. SBXD15502P13XXY
 DIMS BR: DATE
 BC 10/4/11
 RR
 APPROVED BR: SCALE: 1 = 10

DESCRIPTION: H2O SEAL, 75 HP, WATER COOLED PARTIAL RECOVERY VACUUM SYSTEM 460V

MODEL NO. TRW1000S-1PR DIMS NO. 1109091-D REV A

