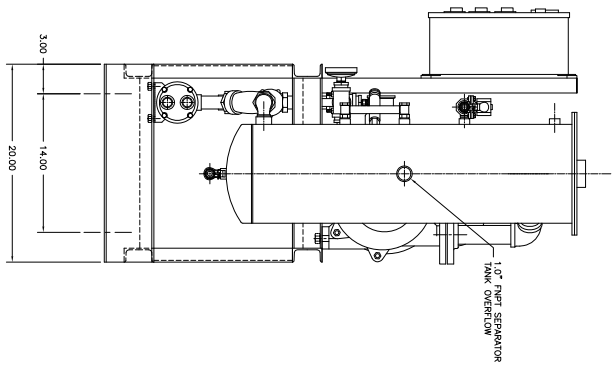
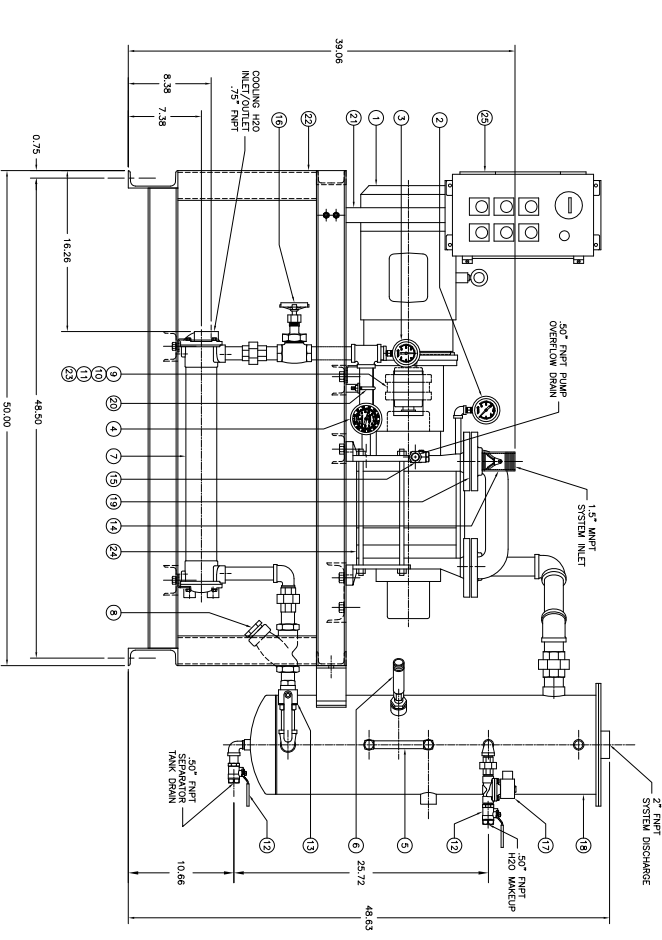
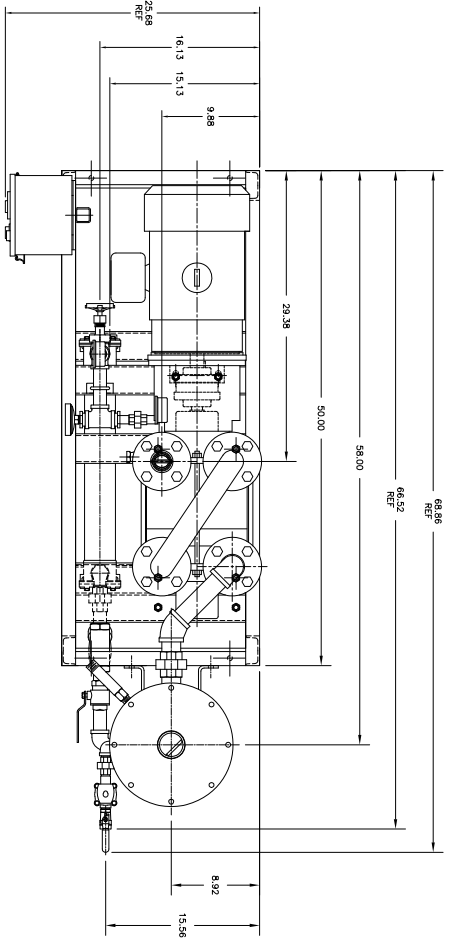


GENERAL ARRANGEMENT DRAWING ONLY



ITEM	QTY	DESCRIPTION	PART NUMBER
1	1	MOTOR 7.5HP 4P TECO 231TC 3/60/230-480V	231-0075-4004
2	1	GAUGE VAC 0-30"HgV BRASS 2.5" DIA	400-0025-F000
3	1	GAUGE COMP 30/0/15 BRASS 2.5" DIA	401-0025-F000
4	1	GAUGE TEMPERATURE 20/240/F - 10/110/C 3" DIA	410-0050-F001
5	1	GAUGE LEVEL 6TG X 5"NPT AL/BRSS/VT	420-0050-4008
6	1	SWITCH LEVEL 1" 4P BRSS/SS	465-0100-4000
7	1	HEAT EXCHANGER 03" X 14" 4P CS/316SS/CI	524-0324-4007
8	1	STRAINER Y 1" THD CI	660-0100-4001
9	1	BRVE GRLG 7S 1.375" CI	702-0700-8137
10	1	DRVE GRLG 7S 28MM CI	702-0702-8028
11	1	GRG ELEMENT SIZE 7-JE EPDM	752-0700-B001
12	2	VALVE BALL .50" THD SP BRSS/BRSS/PTEE	801-0050-B000
13	1	VALVE BALL 1" THD SP BRSS/BRSS/PTEE	802-0100-B000
14	1	VALVE CHECK HINGE 1.50" THD SS/BAUNA	820-0150-8002
15	1	VALVE CHECK SWING .50" THD BRASS	821-0050-F000
16	1	VALVE GLOBE 1" THD BRZ/TFE	835-0100-4000
17	1	VALVE SOLENOID .50" IN NC BRSS/BAUNA	855-0050-B000
18	2	SEPARATOR FR 10" DIA X 36" LG H2O SEALED	903-9606-2220
19	2	SOCKET MANIFOLD 1.75" ID X .06" THK	94504892851
20	1	BRACKET U BOLT 1" PIPE CS	948-9701-2750
21	1	BRACKET CONTROL PANEL SIMPLEX TRW	948-9706-1310
22	1	BASEPLATE H2O FR 50" X 20" X 20" CS	950-9712-1710
23	1	M-BLOCK ASSY TRS/ HAQ 21ST	AAB-TR40-21ST
24	1	TRHC40-140/GH 2 STG LR VAC PMP W/TF SEALS	TRHC40-140/GH-1
25	1	ORNL PNL SMP/L H2O SEAL SYSTEM IN 12 14"x8"x6"	ZLW-0204-0000

SYSTEM NOTES:
 1) LOCATE VACUUM SYSTEM ON A FLAT LEVEL SURFACE.
 2) NPT PIPE FLUES WITH SQUARE HEAD

THIS PRINT IS PROPERTY OF TRAWANI PUMPS USA, INC. AND MAY NOT BE GIVEN TO ANY OTHER CONCERN WITHOUT THE CONSENT OF TRAWANI PUMPS USA, INC.

TOLERANCES

DECIMAL ± .0025"
 FRACTIONAL ± 1/32"
 ANGLE ± 0° 30' 00"
 UNLESS OTHERWISE SPECIFIED IN DRAWING

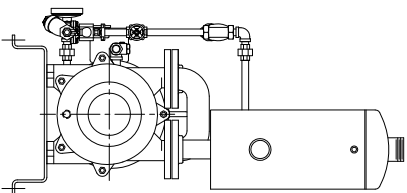
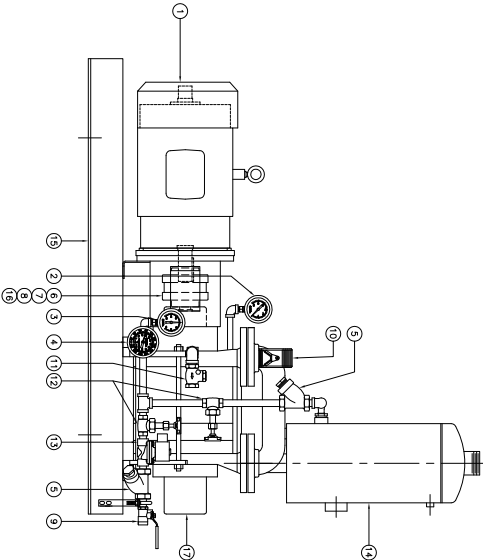
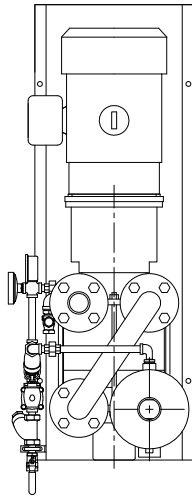
PART NO. 9940-01

DATE 6/8/01

SCALE 1 = 6

TRAWANI PUMPS USA
 Liquid Ring & Heavy Vapor Recovery Pumping and Systems

REV	DESCRIPTION	DATE	APPR



GENERAL ARRANGEMENT DRAWING ONLY

BILL OF MATERIALS			
ITEM	QTY	DESCRIPTION	PART NUMBER
1	1	MOTOR, 7.5 HP, 230/460V, 3 PH.	231-0075-C000
2	1	GAUGE, VACUUM 0-30"HgV	400-0025-F000
3	1	GAUGE, COMPOUND 30.0/0/15	401-0025-F000
4	1	GAUGE, TEMP 20-240F 10-110C	410-0050-F000
5	2	V-STRAINER 3/8" THD	660-0037-C000
6	1	DRIVE CHLG 75 1 3/8" CI	702-0700-B137
7	1	DRIVE CHLG 75 28 MM CI	702-0702-B028
8	1	COUPLING ELEMENT SIZE 7A	752-0700-B001
9	1	VALVE, BALL 3/8" THD	801-0038-B000
10	1	VALVE, CHECK HINGE 1 1/2" THD	820-0150-B000
11	1	VALVE, CHECK HINGE 1 1/2" THD	821-0050-F000
12	2	VALVE, SWNH 1/2" THD BRS	835-0037-A000
13	1	VALVE, SOLENOID 3/8" THD	855-0037-B000
14	1	SEP TANK	901-9409-C010
15	1	BASE PLATE	XXXXXX
16	1	M-BLOCK TRS/H40 215T	A4B-TR40-2150
17	1	VACUUM PUMP, LIQUID RING	TRHC40-140/C/CH

THIS PRINT IS PROPERTY OF TRAWANI PUMPS USA, INC. AND MAY NOT BE GIVEN TO ANY OTHER CONCERN WITHOUT THE CONSENT OF TRAWANI PUMPS USA, INC.

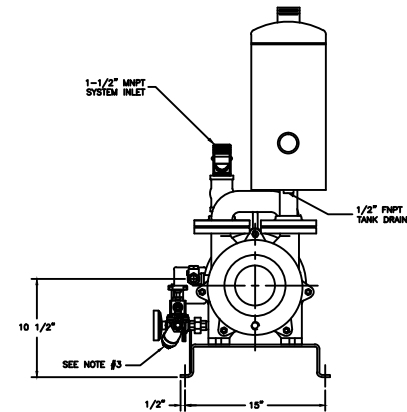
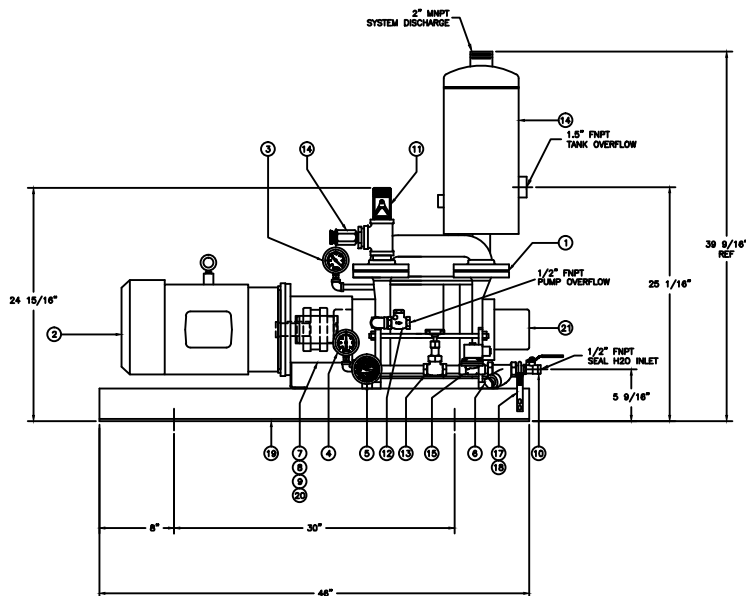
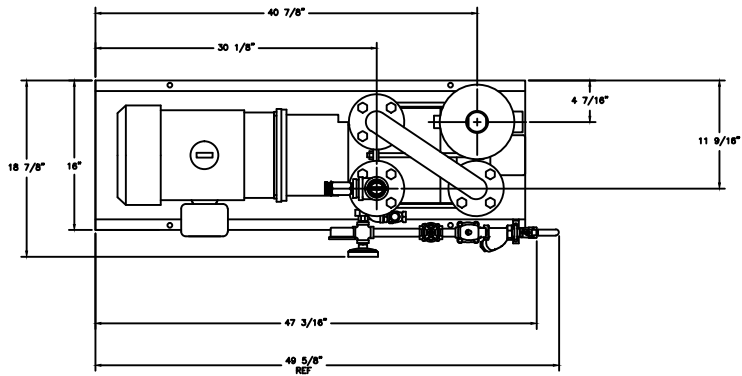
TOLEANCES
DECIMAL ± .005
FRACTIONAL ± 1/32"
ANGULAR ± 0° 30' 00"
UNLESS OTHERWISE SPECIFIED IN DRAWING

PART NO. SBHXH1401G13XXX
DWS BR: COK BR: DATE 4/5/06
SCALE: 1 = 6

DESCRIPTION: PARTIAL RECOVERY WATERSEALED 7.5HP SMP/L LIQUID RING VACUUM SYSTEM
MODEL NO. TRW100H-1PR
DWS NO. XXXXXXX

TRAWANI PUMPS USA
Liquid Ring & Heavy Vapor Vacuum Pumping and Systems

REV	DESCRIPTION	DATE	APPR
REVISIONS			



BILL OF MATERIALS			
ITEM	QTY	DESCRIPTION	PART NUMBER
1	2	GASKET MANIFOLD 3-1/2" OD X 1-5/8" ID	176-0402-0001
2	1	MOTOR, 7.5 HP 230/460V 3 PH	231-0075-C001
3	1	GAUGE, VACUUM 0-30"HgV	400-0025-F000
4	1	GAUGE, COMPOUND 30/0/15	401-0025-F000
5	1	GAUGE, TEMP 20-240F 10-110C	410-0050-F001
6	1	Y-STRAINER 1/2" THD	660-0050-C000
7	1	DRIVE CPLG 7S 1 3/8" CI	702-0700-B137
8	1	DRIVE CPLG 7S 28 MM CI	702-0702-8028
9	1	COUPLING ELEMENT SIZE 7J	752-0700-8001
10	1	VALVE, BALL 1/2" THD	801-0050-8000
11	1	VALVE, CHECK HINGE 1 1/2" THD SS/BUNA	820-0150-8002
12	1	VALVE, CHECK SWING 1/2" THD BRS	821-0050-F000
13	1	VALVE, GLOBE 1/2" THD BRZ	835-0050-A000
14	1	VALVE, VACUUM RELIEF 3/4" THD	852-0075-8000
15	1	VALVE, SOLENOID 1/2" THD, N4 NC BRASS	855-0050-8000
16	1	SEPARATOR TANK NR/PR CS	901-9409-0810
17	1	BRACKET, U BOLT 1/2" PIPE	948-9709-1920
18	1	BRACKET, PIPE	948-9711-2440
19	1	BASE PLATE 46" X 14" X 3-1/2"	950-9403-3110
20	1	M-BLOCK TRS/H40 215T	AMB-TR40-215T
21	1	VACUUM PUMP, LIQUID RING	TRHC40-140/C/RX

- SYSTEM NOTES:**
- 1) LOCATE VACUUM SYSTEM ON A LEVEL SURFACE.
 - 2) PLUG EMPTY PORTS WITH SQUARE HEAD NPT PIPE PLUGS.
 - 3) ROTATE APPROX. 30° FOR PROPER FIT.

THIS PRINT IS PROPERTY OF TRAWANI PUMPS USA, INC. AND MAY NOT BE GIVEN TO ANY OTHER CONCERN WITHOUT THE CONSENT OF TRAWANI PUMPS USA, INC.

TOLERANCES

DECIMAL ± .0025"
 FRACTIONAL ± 1/16"
 ANGULAR ± 0° 30' 00"

UNLESS OTHERWISE SPECIFIED IN DRAWING



REV	DESCRIPTION	DATE	APPR
A	REMOVED 1/4" PORT FROM TANK PER ECR #481	1/4/07	SS
REVISIONS			

1574 NO.	VARIOUS
PART NO.	SAXHX1007G13XX2
DWG BY:	SS
CHK BY:	SS
DATE:	12/27/06
APPROVED BY:	VG
SCALE:	1 = 6

DESCRIPTION			
NO RECOVERY WATERSEALED 7.5 H.P. SMPL LIQUID RING VACUUM SYSTEM			
MODEL NO.	TRW100H-1NR	DWG NO.	0612221-D
REV	A		