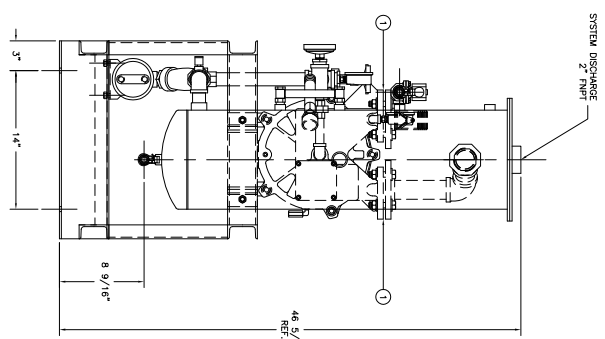


GENERAL ARRANGEMENT DRAWING ONLY

NOTES:
1) LOCATE SYSTEM ON A FLAT LEVEL SURFACE.
2) PLUG ALL UNUSED PORTS WITH SQUARE HEAD NPT PIPE PLUGS.

BILL OF MATERIALS			
ITEM	QTY	DESCRIPTION	PART NUMBER
1	2	GASKET MANIFOLD 1-5/8" O.D. X 1/16" THK.	176-0406-0001
2	1	MOTOR 7-1/2 HP 4P TEFC 213TC	231-0075-C001
3	1	GAUGE VACUUM 0-30" HG BRASS	400-0025-F000
4	1	GAUGE COMPOUND 30.0/0/15 BRASS	401-0025-F000
5	1	GAUGE TEMP 20/240T--10/110C	410-0050-F001
6	1	GAUGE LEVEL 6" 1/2" NPT	420-0050-A008
7	1	SWITCH LEVEL 1" XP BR/SS	465-0100-A000
8	1	HEAT EXCHANGER 03X14 4P BR/CH/CI	524-0314-A000
9	1	STRAINER Y 1" THD CI	660-0100-C000
10	1	COUPLING DRIVE 7S 1-3/8 CI	702-0700-B137
11	1	COUPLING DRIVE 7S 28MM CI	702-0702-B028
12	1	COUPLING ELEMENT SIZE 7-JE	752-0700-B001
13	2	VALVE BALL 1/2" THD BRS	801-0050-B000
14	1	VALVE BALL 1" THD BRS	802-0100-B000
15	1	VALVE CHECK HINGE 1-1/2" THD SS/VIT	820-0150-B004
16	1	VALVE GLOBE 1" THD BRZ	835-0100-A000
17	1	VALVE SOL 1/2" THD N4 NC BRASS	865-0050-B000
18	1	SEPARATOR FR 10" X 36" H2O SEALED	903-9606-2202
19	1	BEREPLATE H2O FR	960-9709-2820
20	1	M-BLOCK ASSY TR94D 213T	AMB-TV94-213T
21	1	LIQUID RING VACUUM PUMP 1 STAGE MECH SEAL	TR94D-150/GH



REV	DESCRIPTION	DATE	APPR
A	ITEM # 1 WAS 176-3617-0000 PER ECR# 398	2/17/06	SS

THIS PRINT IS PROPERTY OF TRAWANI PUMPS USA, INC. AND MAY NOT BE GIVEN TO ANY OTHER CONCERN WITHOUT THE CONSENT OF TRAWANI PUMPS USA, INC.

TOLERANCES
DECIMAL .0025"
FRACTIONAL 1/32"
ANGULAR ± 0° 30' 00"
UNLESS OTHERWISE SPECIFIED IN DRAWING

PART NO. SC21X1501G133XX
S/N NO. VARIOUS

DATE 11/18/04
REV TL

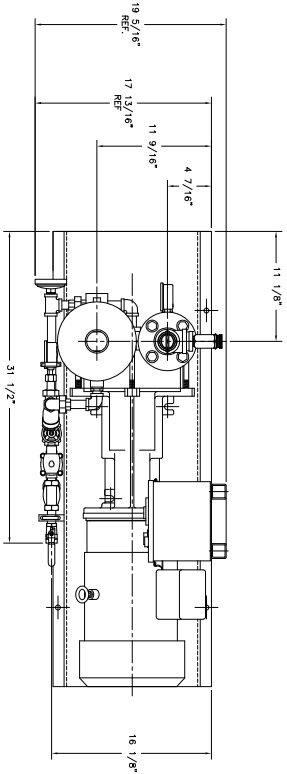
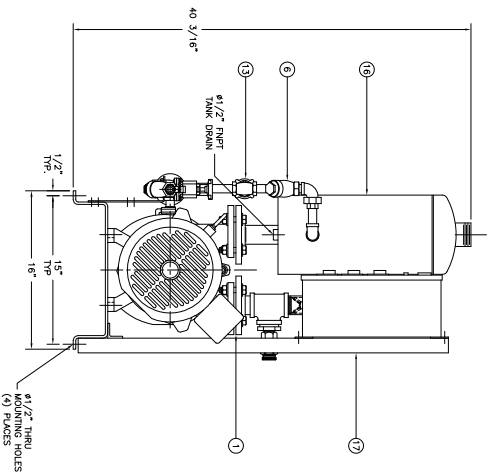
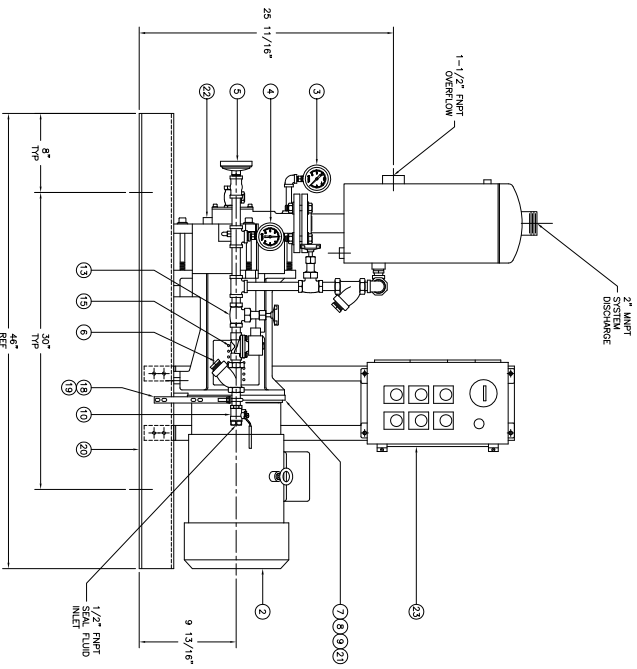
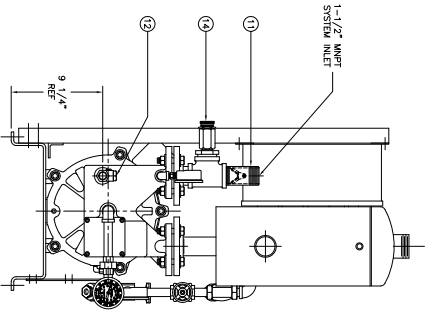
SCALE: 1 = 6

MODEL NO. TRW100V-TFR
DWG NO. 0411181-D

TRAWANI PUMPS USA
Liquid Ring & Steam Vapor Recovery and Systems

DESCRIPTION: WATERSEALED FULL RECOVERY 7.5HP SIMPLEX VACUUM SYSTEM

GENERAL ARRANGEMENT DRAWING ONLY



SYSTEM NOTES:
 1) LOCATE VACUUM SYSTEM ON A LEVEL SURFACE.
 2) FLOW EMPTY PORTS WITH SQUARE HEAD NPT PIPE PLUGS.

BILL OF MATERIALS

ITEM	QTY	DESCRIPTION	PART NUMBER
1	2	GASKET 1-3/4" I.D. X 1/16" THK.	176-3617-0000
2	1	MOTOR 7.5 HP 4P TEFC 213TC	231-0075-C001
3	1	GAUGE VACUUM 0-30" HG/ BRASS	400-0025-F000
4	1	GAUGE COMPOUND 30/0/15 BRASS	401-0025-F000
5	1	GAUGE TEMP 20/240T--10/110C	410-0050-F001
6	2	STRAINER Y 1/2" THD CI	660-0050-C000
7	1	DRIVE COUPLING 75 1-3/8" CI	702-0700-B137
8	1	DRIVE COUPLING 75 28MM CI	702-0702-B028
9	1	COUPLING ELEMENT SIZE 7-JE	752-0700-B011
10	1	VALVE BALL 1/2" THD SP BRASS	801-0050-B000
11	1	VALVE CHECK HINGE 1-1/2" THD SS/BLINA	820-0150-B002
12	1	VALVE CHECK SWING 1/2" THD BRASS	821-0050-F000
13	2	VALVE GLOBE 1/2" THD BRZ	835-0050-A000
14	1	VALVE VACUUM RELIEF 3/4" THD 304 BRASS	852-0075-B000
15	1	VALVE SOLENOID 1/2" THD 1/4 NC BRASS	855-0050-B000
16	1	SEPARATOR NR/PFR 8" X 18"	901-9409-0810
17	1	BRACKET CONTROL PANEL	948-0207-1541
18	1	BRACKET U BOLT 1/2" PIPE	948-9709-1820
19	1	BRACKET PIPE	948-9711-2840
20	1	BASEPLATE 46" X 16" X 3-1/2" CS	950-9403-3110
21	1	MONO BLOCK ASSY TRN840 213T	AMB-TR84-213T
22	1	VACUUM PUMP LR 1 STAGE MECH SEAL	TRN840-150/GR
23	1	CONTROL PANEL N12 14" X 8" X 6" ENCL	ZLW-0200-0000

THIS PRINT IS PROPERTY OF TRAWANI PUMPS USA, INC. AND MAY NOT BE GIVEN TO ANY OTHER CONCERN WITHOUT THE CONSENT OF TRAWANI PUMPS USA, INC.

TOLERANCES
 DECIMAL ± .00"
 FRACTIONAL ± 1/2"
 ANGLE ± 0° 30' 00"
 UNLESS OTHERWISE SPECIFIED IN DRAWING

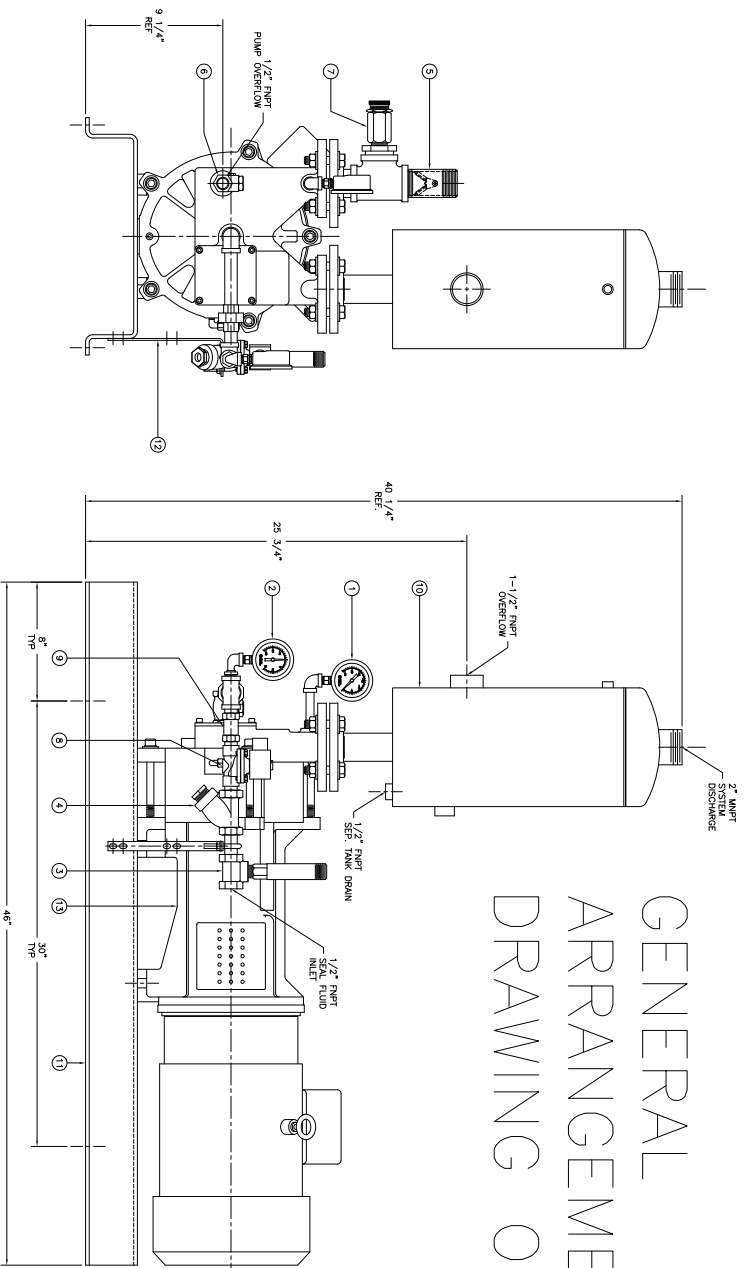
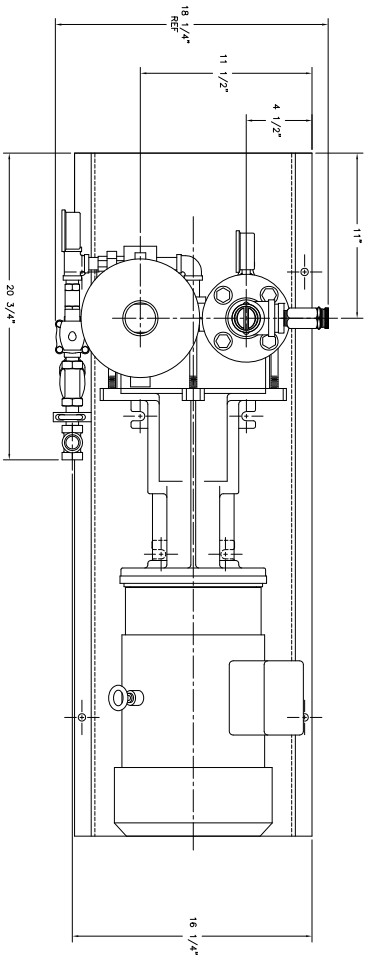
PART NO. N/A
 DWS BR: N/A
 DATE: 8/12/04
 APPROVED BY: [Signature]
 SCALE: 1 = 6

TRAWANI PUMPS USA
 Liquid Ring & Slurry Pump Manufacturers and Suppliers

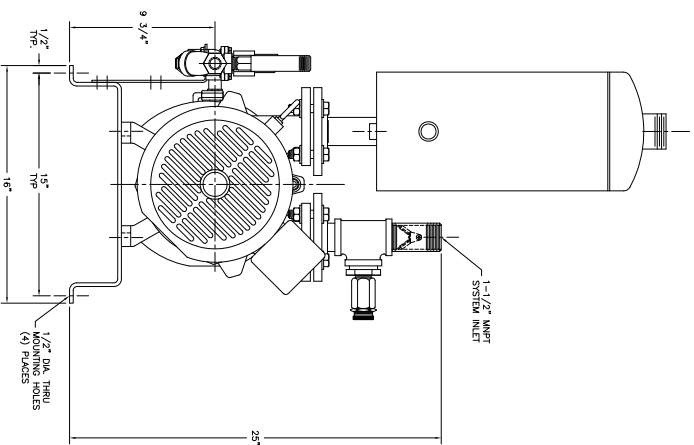
DESCRIPTION: LIQUID RING VACUUM SYSTEM WATERSEALED
 7.5 HP PARTIAL RECOVERY

MODEL NO. TRM100V-TPR
 DWS NO. 0408121-D

REV	DESCRIPTION	DATE	APP
1	REVISIONS		



GENERAL ARRANGEMENT DRAWING ONLY



BILL OF MATERIALS			
ITEM	QTY	DESCRIPTION	PART NUMBER
1	1	VACUUM GAUGE 0-30"HgV BRS 2-1/2" DIAL	400-0025-F000
2	1	GAUGE COMPOUND 30/0/15 BRS 2-1/2" DIAL	401-0025-F000
3	1	SWITCH FLOW 1/2" NPT BRASS	460-0050-A000
4	1	Y-STRAINER 1/2" NPT CI 20 MESH	680-0050-C000
5	1	VALVE CHECK RINGE 1-1/2" IND SS/BU	820-0150-B002
6	1	VALVE CHECK SWING 1/2" NPT BRS W/VELTON SEAT	821-0050-F000
7	1	VALVE VAC RELIEF 3/4" BRASS ADJ	852-0075-B000
8	1	VALVE SOLENOID 1/2" NPT 1/4 NC BRS/BU/VA	855-0050-B000
9	1	VALVE FLOW CONTROL 1/2" NPT 4.0 GPM IND/EL/BRS/BU/VA	880-0050-A040
10	1	SEPARATOR NPT/PS 8" X 16"	901-9409-0810
11	1	BASEPLATE WATERSEALED 46" X 16" X 3-1/2"	950-9403-3110
12	1	BRACKET PIPE 1/2" SUB-ASSEMBLY	1053-9711-2480
13	1	LIQUID RING VACUUM PUMP ASSY W/MOTOR-48	TRW4015001CHG

SYSTEM NOTES:
 1) LOCATE VACUUM SYSTEM ON A LEVEL SURFACE.
 2) PLUG EMPTY PORTS WITH SQUARE HEAD NPT PIPE PLUGS.

REV	DESCRIPTION	DATE	APPR
REVISIONS			

THIS PRINT IS PROPERTY OF TRAWANI PUMPS USA, INC. AND MAY NOT BE GIVEN TO ANY OTHER CONCERN WITHOUT THE CONSENT OF TRAWANI PUMPS USA, INC.

TOLERANCES
 DECIMAL 3. 0025"
 FRACTIONAL 3/16"
 ANGULAR 3 0' 30 00"
 UNLESS OTHERWISE SPECIFIED IN DRAWING

PART NO. N/A
 DECIMAL 3. 0025"
 FRACTIONAL 3/16"
 ANGULAR 3 0' 30 00"
 UNLESS OTHERWISE SPECIFIED IN DRAWING

DATE: 01/03/03
 SCALE: 1 = 4

DESCRIPTION: LIQUID RING VACUUM SYSTEM WATERSEALED 7.5 HP NO RECOVERY

MODEL NO. TRW100V-1NR
 DWG NO. 0301033-D

TRAWANI PUMPS USA
 Liquid Ring & Steam Vapor Recovery Pumping and Systems