

BILL OF MATERIALS			
ITEM	QTY	DESCRIPTION	PART NUMBER
1	2	GASKET MANIFOLD 4-1/8"OD X 2-1/4"TD	176-4122-0000
2	1	MOTOR 15HP 4P TEC 254FC 3/230/460V	231-0150-C000
3	1	GAUGE VACUUM 0-30"HgV 1/4" MNPT BRS	400-0025-F000
4	1	GAUGE COMPOUND 30/0/15 PSIG BRS 1/4" MNPT	401-0025-F000
5	2	GAUGE TEMP 20/240°F - 10/110°C 1/2" MNPT SS	410-0050-F001
6	1	GAUGE LEVEL 6" LONG X 1/2" MNPT AL/BRS/VT	420-0050-A008
7	1	SWITCH LEVEL, 1" MNPT XP BRS/SS	465-0100-A000
8	1	HEAT EXCHANGER - 3" X 24" 4P BRS/CHR/CI	524-0324-A000
9	1	FILTER SILENCER 60 SCFM POLY ELMENT 1-1/4"TNPT	602-0125-A001
10	1	1-STRIPPER 1" FNPT CI 20 MESH	660-0100-C000
11	1	DRIVE COUPLING BS 1.625" CI	702-0800-B162
12	1	DRIVE COUPLING BS 32MM CI	702-0802-B032
13	1	COUPLING ELEMENT SIZE 8-JE EPDM	752-0800-B001
14	2	VALVE BALL 1/2" FNPT SP BRS	801-0050-B000
15	1	VALVE BALL 1" FNPT FP BRS	802-0100-B000
16	1	VALVE BALL 2" FNPT FP BRS	802-0200-B000
17	1	VALVE CHECK HINGE 2" FNPT SST/BIUMA	820-0200-B002
18	1	VALVE GLOBE 1" FNPT BRZ	835-0100-A000
19	1	VALVE VACUUM RELIEF 1-1/4" MNPT SS	852-0125-C000
20	1	VALVE SOLENOID 1/2" FNPT N4 NC BRASS 120V	855-0050-B000
21	1	SEPARATOR FR 2-1/2" FNPT INLET CS	903-9409-0720
22	1	BRACKET CONTR. PNL FOR 15"X15"X8" RITIAL ENCL	948-0502-2310
23	1	BERGSHTE WATERSEALED RS 5/4" X 20" X 22" CS	950-0201-1130
24	1	MONO-BLOCK ASSEMBLY TRS/H50 256T	AM8-TR50-256T
25	1	VACUUM PUMP LIQUID RING 2 STAGE MECH SEAL	TRH550-250/JF
26	1	CONTROL PNLG 460V 15 HP 3PH W/LOWVOLT/MOUNT NEMA 4	ZCP-31068-0000

NOTES:  
 1) LOCATE AND SECURE VACUUM SYSTEM ON A FLAT LEVEL SURFACE.  
 2) PUMP SAFETY POINTS WITH SQUARE HEAD W/PT PIPE PLUGS.

# GENERAL ARRANGEMENT DRAWING ONLY

THIS PRINT IS PROPERTY OF TRAWANI PUMPS USA, INC. AND MAY NOT BE GIVEN TO ANY OTHER CONCERN WITHOUT THE CONSENT OF TRAWANI PUMPS USA, INC.

**TOLERANCES**

DECIMAL 3. 0.025"  
 FRACTIONAL 3/16" 1/2"  
 ANGLE 4 0° 30' 00"  
 UNLESS OTHERWISE SPECIFIED IN DRAWING

Part No. SC29X2802133VA  
 Description VACUUM SYSTEM LIQUID RING 15HP 460V WATERSEALED FULL RECOVERY

Model No. TRW200H-TFR  
 Dwg No. 0608211-D

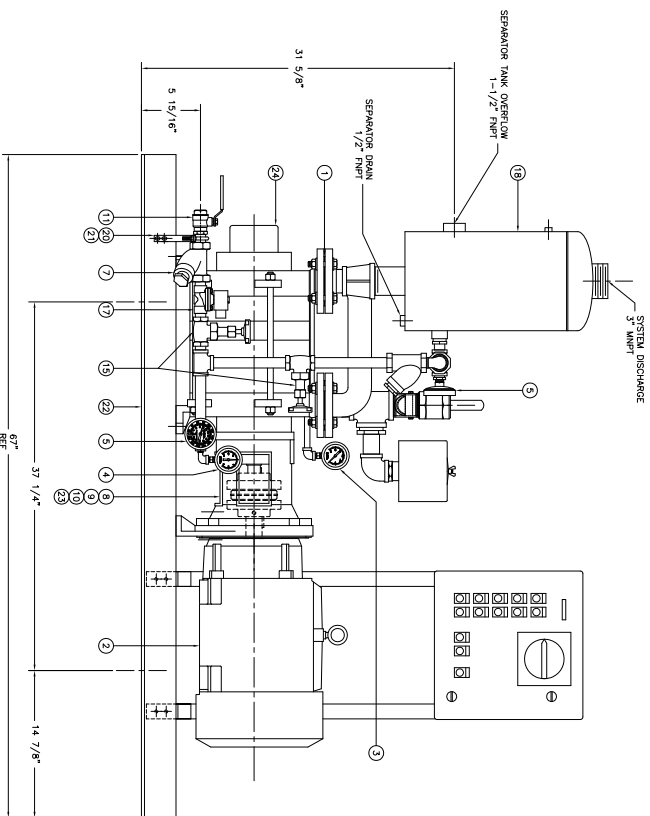
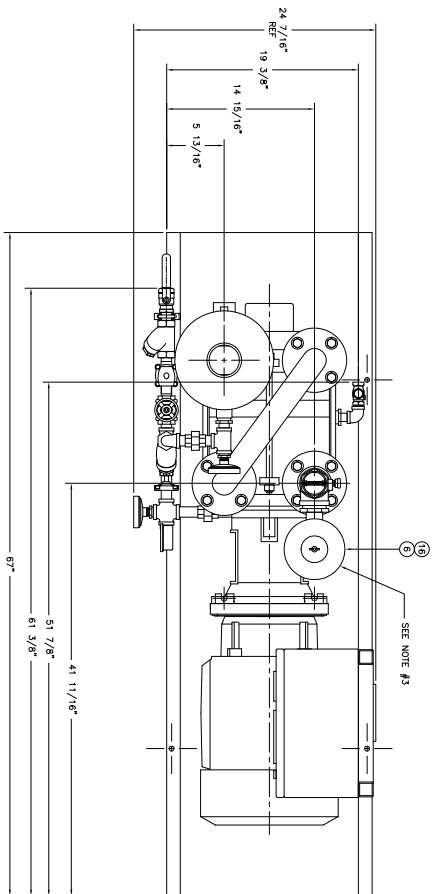
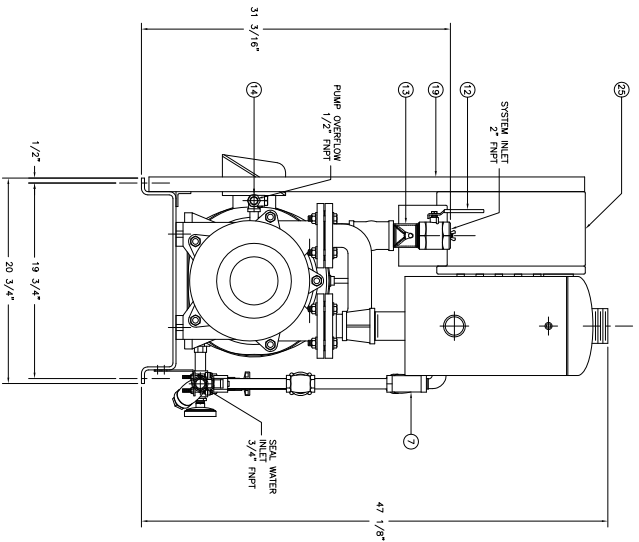
Scale: 1 = 8

REV A

REV	DESCRIPTION	DATE	APPR
A	TANK DID NOT REFLECT TRUE DESIGN PER ECR #454	11/7/06	RV

REVISIONS

# GENERAL ARRANGEMENT DRAWING ONLY



BILL OF MATERIALS		
ITEM	QTY	PART NUMBER
1	2	GASKET FLAT 4-1/8" OD X 2-1/4" ID CAR. 176-4122-0000
2	1	MOTOR 15HP 4P TEC 254TC 3/230-460V 231-0150-C000
3	1	GALVE VACUUM 0-30"HgV BRASS 2-1/2" DIA. 400-0025-F000
4	1	GALVE COMPOUND 30/0/15 BRASS 2-1/2" DIA. 401-0025-F000
5	2	GALVE TEMPERATURE 20/240T--10/110C 3" DIA. 410-0050-F001
6	1	FILTER SILENCER 1-1/4" 60 SCFM POLYESTER 602-0125-A001
7	2	STRAINER Y 3/4" THD CI 660-0075-C000
8	1	PIRE COUPLING BS 1-9/8" CI 702-0800-B162
9	1	PIRE COUPLING BS 32MM CI 752-0802-B032
10	1	COUPLING ELEMENT SIZE 8-1/2 752-0800-B001
11	1	VALVE BALL 3/4" THD SP BR/BS/PITE 802-0000-B000
12	1	VALVE BUTTERFLY 2" THD BR/SS 803-0200-A000
13	1	VALVE CHECK HINGE 2" THD SS/SS/BR/VA 800-0200-B002
14	1	VALVE CHECK SPRING 1/2" THD BRASS/TEFLON 821-0050-F000
15	2	VALVE GLOBE .75" THD BRONZE/TEFLON 835-0075-A000
16	1	VALVE VAC RELIEF 1-1/4" THD 852-0125-C000
17	1	VALVE SOLENOID 3/4" NA NC BRASS/BR/VA 855-0075-B000
18	1	SEPARATOR - 18"/PR 10" OD W/2-1/2" INLET 901-9405-1310
19	1	BRACKET CONTROL PANEL 15" X 15" X 8" 948-0809-2530
20	1	BRACKET U BOLT 3/4" PIPE 948-9704-0310
21	1	BRACKET PIPE 7-3/4" X 2-1/2" X 5/8" THK 948-9711-2440
22	1	BASEPLATE HDZ 18" X 6" X 7" CS 950-9509-0110
23	1	M-BLOCK ASSEMBLY TRS/H50 258T A48-TR50-258T
24	1	LIQUID RING VACUUM PUMP 2 STAGE MECH SEALS TRHB50-280/0/RX
25	1	CONTROL PANEL 15 HP 460V LOOKOUT/7A60UT ZCP-31383-0600

- SYSTEM NOTES:
- 1) LOCATE VACUUM SYSTEM ON A FLAT, LEVEL SURFACE.
  - 2) PLUG EMPTY PORTS WITH SQUARE HEAD NPT PIPE PLUGS.
  - 3) REQUIRED CLEARANCE TO SERVICE ELEMENT 6"

REV	DESCRIPTION	DATE	APPR
REVISIONS			

THIS PRINT IS PROPERTY OF TRAWANI PUMPS USA, INC. AND MAY NOT BE GIVEN TO ANY OTHER CONCERN WITHOUT THE CONSENT OF TRAWANI PUMPS USA, INC.

**TOLERANCES**

DECIMAL ± .005  
 FRACTIONAL ± 1/32"  
 ANGLE ± 0° 30' 00"  
 UNLESS OTHERWISE SPECIFIED IN DRAWING

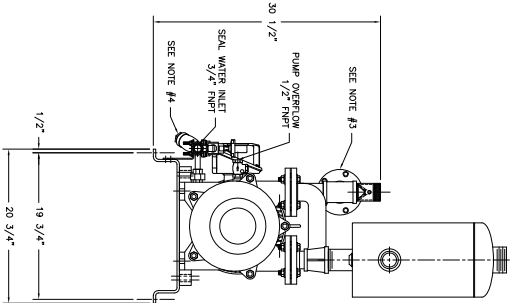
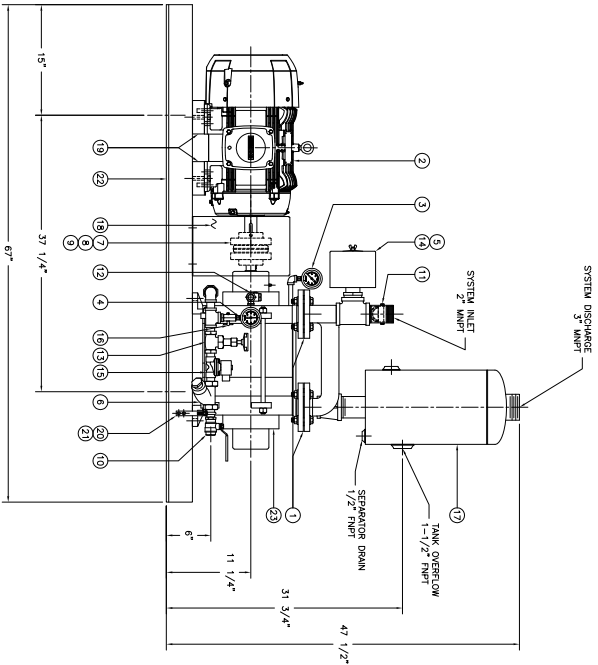
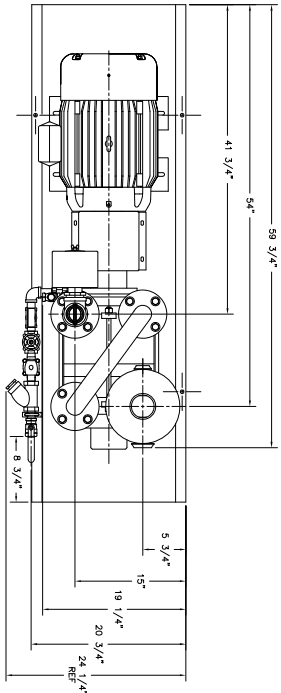
Part No. SBXGX280T133VA  
 DWS BR: DATE  
 SS MW 9/25/08  
 APPROVED BR: SCALE: 1 = 6

DESCRIPTION: WATERSEALD 15 HP, SIMPLEX PARTIAL RECOVERY VACUUM SYSTEM

MODEL NO. TRV200H-1PR DWS NO. 0610232-D REV

Liquid Ring & Heavy Vapor Non-Vacuum Pumping and Systems

# GENERAL ARRANGEMENT DRAWING ONLY



### BILL OF MATERIALS

ITEM	QTY	DESCRIPTION	PART NUMBER
1	2	GASKET, MANIFOLD 2-1/4" ID X 1/16" THK BR33001	176-4122-0000
2	1	MOTOR 15HP 4P TEC 256T 3PH/230-460V/60HZ	230-0150-0000
3	1	GAUGE VACUUM 0-30"HgV 1/4" MNPT BR3	400-0025-F000
4	1	GAUGE COMPOUND 30/0/15 1/4" MNPT BR3	401-0025-F000
5	1	FILTER SILENCER 1-1/4" MNPT BR3/CS/FLN	602-0125-A001
6	1	STRAINER Y 3/4" FNPT CI 20 MESH SCREEN	660-0075-C000
7	1	DRIVE COUPLING BS 1-5/8" CI	702-0800-B162
8	1	DRIVE COUPLING BS 32MM CI	702-0802-B032
9	1	COUPLING ELEMENT SIZE 8-IE	752-0800-B011
10	1	VALVE BALL 3/4" FNPT SP CS/SS/TEFLON	801-0075-A002
11	1	VALVE CHECK HINGE 2" MNPT SS/BRUNA	820-0200-B002
12	1	VALVE CHECK SWING 1/2" FNPT BR3/SS/TEFLON	821-0050-F000
13	1	VALVE GLOBE 3/4" FNPT BRONZE/TEFLON	835-0075-A000
14	1	VALVE VACUUM RELIEF 1-1/4" MNPT SS/TEFLON	852-0125-C000
15	1	VALVE SOLENOID 3/4" FNPT N4 NC BR3/SS/BRUNA	855-0075-B000
16	1	VALVE PETCOCK 1/4" FNPT X NPT BR3 CI/ST-CHF	890-0025-B000
17	1	SEPARATOR - NR/PR 10" OD W/ 2-1/2" INLET CS	901-9405-1310
18	1	COUPLING GUARD FOR 15-25HP SYSTEMS CS	930-9811-0502
19	2	RISER BLOCK 16 LUGS X 4-1/2" HOLE X 1.6" THK CS	945-0809-2810
20	1	BRACKET U-BOLT FOR 3/4" NPS PIPE CS	948-9704-C010
21	1	BRACKET PIPE 7-1/2" X 2-1/2" X 5/8" CS	948-9711-2440
22	1	BASEPLATE H20 20-3/4" X 67" X 3-1/2" CS	950-9509-0110
23	1	LIQUID RING VACUUM PUMP 2 STAGE MECH SEALS	TR850-280/J

### SYSTEM NOTES:

- 1) LOCATE AND SECURE VACUUM SYSTEM ON A FLAT LEVEL SURFACE.
- 2) PLUG EMPTY PORTS WITH SQUARE HEAD NPT PIPE PLUGS.
- 3) CLEARANCE REQUIRED TO SERVICE ELEMENT IS 6".
- 4) ROTATE Y-STRAINER 15 DEGREES FROM CENTER TO ALLOW ACCESS FOR SERVICE.

THIS PRINT IS PROPERTY OF TRAWANI PUMPS USA, INC. AND MAY NOT BE GIVEN TO ANY OTHER CONCERN WITHOUT THE CONSENT OF TRAWANI PUMPS USA, INC.



**TOLERANCES**  
 DECIMAL ± .0025"  
 FRACTIONAL ± 1/32"  
 ANGLE ± 0° 30' 00"  
 UNLESS OTHERWISE SPECIFIED IN DRAWING

PART NO. SAKXZB0213XXS  
 DWS BR: CKK BR: DATE  
 BC: 9/25/08  
 APPROVED BR: SCALE: 1 = 8  
 MODEL NO. TRV200H-1NR  
 DWS NO. 0809251-D

REV	DESCRIPTION	DATE	APPR

REVISIONS