

BILL OF MATERIALS		
ITEM	QTY	PART NUMBER
1	2	GASKET FLAT 5" OD X 3" ID GARLOCK 178-0503-0001
2	1	MOTOR 15HP 4P TEC 254TC 3/230/460V 231-0150-C000
3	1	GAUGE VACUUM 0-30"HgV 1/4" MNPT BRS 400-0025-F000
4	1	GAUGE COMPOUND 30/0/15 BRS 1/4" MNPT 401-0025-F000
5	1	GAUGE TEMP 20/240T-10/110C 1/2" MNPT SS 410-0050-F001
6	2	Y-SPLITTER 1/2" FNPT CI 20 MESH 660-0050-C000
7	1	COUPLING DRIVE BS 1-5/8" CI 702-0800-B162
8	1	COUPLING DRIVE BS 32MM CI 702-0802-B032
9	1	COUPLING ELEMENT SIZE 8-JE 752-0800-B001
10	1	VALVE BALL 1/2" FNPT BRS/BNS/PITE 801-0050-B000
11	1	VALVE CHECK HINGE 2-1/2" MNPT SS/BIUVA 820-0250-B005
12	1	VALVE CHECK SWING 1/2" FNPT BNS W/TETLON SEAT 821-0050-F000
13	2	VALVE GLOBE 1/2" FNPT BRONZE/TETLON 835-0050-A000
14	1	VALVE SOLENOID 1/2" FNPT NA NC BRS/BIUVA 855-0050-B000
15	1	TANK SEPARATOR NR/PR 10"OD 2-1/2"MNPT IN CS 901-9405-1310
16	1	BRACKET CNTRL PNL FOR 16" X 10" X 6" ENCL CS 948-0209-2620
17	1	BRACKET U BOLT 1/2" PIPE 948-9709-1920
18	1	BASEPLATE WATERSEAL 54" X 16" X 3-1/2" CS 950-9708-1210
19	1	MONOROCK ASSEMBLY TRW65-2581 AM8-TR66-2581
20	1	VACUUM PUMP LIQUID RING 1 STAGE MECH SEAL TRW655-300/F
21	1	CONTROL PANEL NA 15HP 460V 16"X10"X6" ENCL ZLW-0500-0000

SYSTEM NOTES:

- 1) LOCATE AND SECURE VACUUM SYSTEM ON A FLAT LEVEL SURFACE.
- 2) PLUG EMPTY PORTS WITH SQUARE HEAD NPT PIPE PLUGS.

GENERAL ARRANGEMENT DRAWING ONLY

THIS PRINT IS PROPERTY OF TRAWANI PUMPS USA, INC. AND MAY NOT BE GIVEN TO ANY OTHER CONCERN WITHOUT THE CONSENT OF TRAWANI PUMPS USA, INC.

TOLERANCES

DECIMAL ± .005
FRACTIONAL ± 1/32"
ANGULAR ± 0° 30' 00"
UNLESS OTHERWISE SPECIFIED IN DRAWINGS

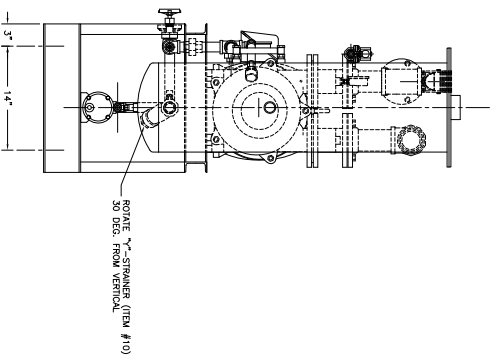
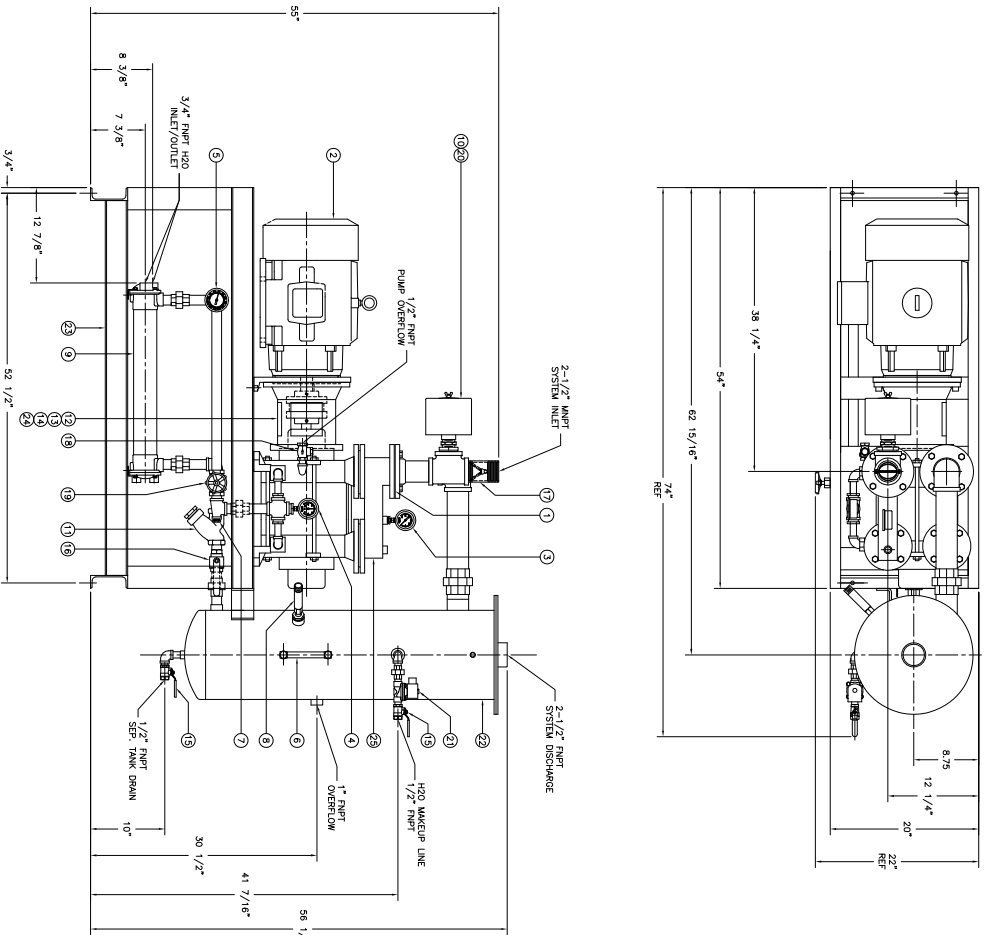


TRAWANI PUMPS USA
Liquid Ring & Steam Vapor Recovery and Systems

REV	DESCRIPTION	DATE	APPR
REVISIONS			

PART NO.	SBKX330021133XY	DESCRIPTION	LIQUID RING VACUUM SYSTEM 15HP 460V WATERSEALD PARTIAL RECOVERY
DWG BR:	CMK BR:	DATE	08/28/06
SS	MW	SCALE:	1 = 6
APPROVED BR:	TRW200V-1PR	DWG NO.:	0608231-D
VC		REV	

GENERAL ARRANGEMENT DRAWING ONLY



BILL OF MATERIALS			
ITEM	QTY	DESCRIPTION	PART NUMBER
1	2	GASKET FLAT 5" OD X 3" ID	178-0503-0001
2	1	MOTOR 15HP 4P TEC 254TC 3/230/460V	232-0150-4000
3	1	GAUGE VACUUM 0-30"HgV BRS 2-1/2" DIAL	400-0025-F000
4	1	GAUGE COMPOUND 30.0/0.15 PSIG BRS 2-1/2" DIAL	401-0025-F000
5	1	GAUGE TEMPERATURE 20/240°F - 10/110°C 3"DIAL	410-0050-F001
6	1	GAUGE LEVEL 6" LG X 1/2" NPT AL/BRS/MT	420-0050-4008
7	1	GAUGE BULB/STVE 1/2" NPT CS	421-0050-C001
8	1	SWITCH LEVEL 1" NPT X2 BRS/SS	465-0100-4000
9	1	HEAT EXCHANGER - 3" X 24" 4P BRS/CHR/CI	524-0324-4000
10	1	FILTER SILENCER 1-1/4" THD	602-0125-4001
11	1	Y-STRAINER 1" THD CI	660-0100-C000
12	1	DRIVE COUPLING BS 1-5/8" CI	702-0800-B162
13	1	DRIVE COUPLING BS 32MM CI	702-0802-B032
14	1	COUPLING ELEMENT SIZE 8-AJE EPDM	752-0800-8001
15	2	VALVE BALL 1/2" THD SP BRS	801-0050-B000
16	1	VALVE CHECK SWING 1/2" THD BRS	820-0250-B005
17	1	VALVE CHECK SWING 1/2" THD SS/BLINA	821-0050-F000
18	1	VALVE GLOBE 1" THD BRS	835-0100-4000
19	1	VALVE GLOBE 1" THD BRZ	852-0125-C000
20	1	VALVE VACUUM REL 1-1/4" THD 316 SST	855-0050-B000
21	1	VALVE SOLENOID 1/2" NA NC BRASS 120V	903-9409-0220
22	1	SEPARATOR FR 2-1/2" INLET CS	950-9712-0830
23	1	BASEPLATE WATERSEALED TR 54" X 20" X 22" CS	AM8-TR66-256T
24	1	MONO-BLOCK ASSEMBLY TRW65 256T	TRW65-300/CH
25	1	VACUUM PUMP LIQUID RING 1 STAGE MECH SEAL	

SYSTEM NOTES:

- 1) LOCATE VACUUM SYSTEM ON A FLAT
- 2) LEVEL SURFACE
- 3) ALL DIMENSIONS WITH SQUARE HEAD UNLESS OTHERWISE SPECIFIED IN DRAWING

THIS PRINT IS PROPERTY OF TRAWANI PUMPS USA, INC. AND MAY NOT BE GIVEN TO ANY OTHER CONCERN WITHOUT THE CONSENT OF TRAWANI PUMPS USA, INC.

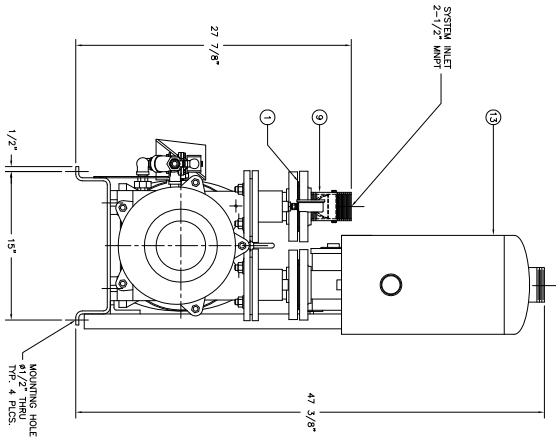
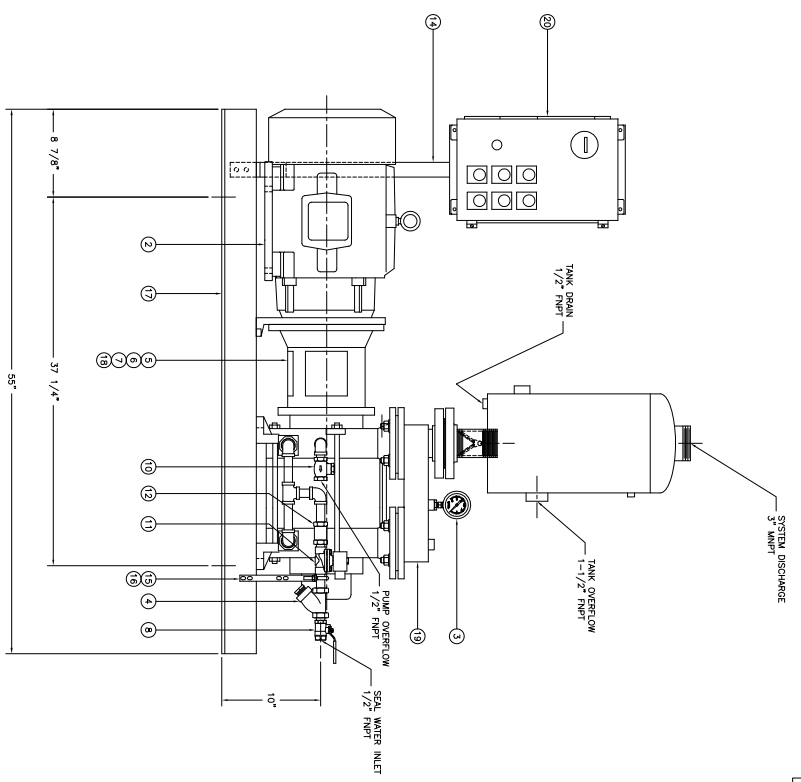
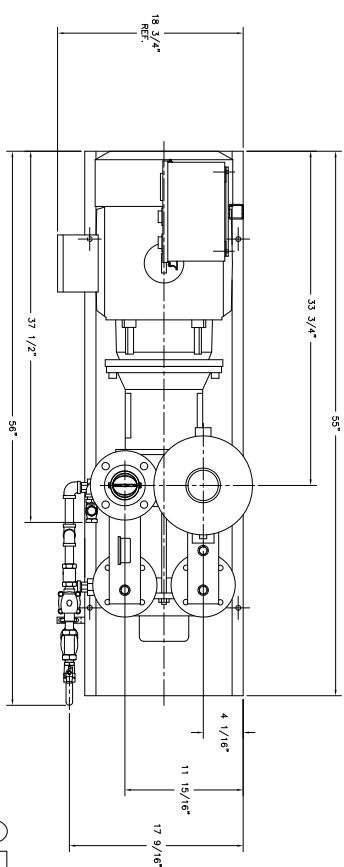
TOLERANCES
 DECIMAL 3.0625"
 FRACTIONAL 3/16"
 ANGLE 3.0° 30' 00"
 UNLESS OTHERWISE SPECIFIED IN DRAWING

DATE: APRR
 REVISIONS: 1 = 8

DESCRIPTION: WATERSEALED FULL RECOVERY 15 H.P. WATER COOLED VACUUM SYSTEM

MODEL NO. TRW200V-TFR
 DWG NO. 0310276-D

TRAWANI PUMPS USA
 Liquid Ring & Heavy Water Vacuum Pumping and Systems



GENERAL ARRANGEMENT DRAWING ONLY

BILL OF MATERIALS		
ITEM	QTY	PART NUMBER
1	2	GASKET FLAT 5" OD X 3" ID
2	1	MOTOR 15HP 4P TECO 254FC 3/230/460V
3	1	GALVE VACUUM 0-30"HgV
4	1	Y-STRAINER 1/2" THD CI
5	1	DRIVE COUPLING RS 1-5/8" CI
6	1	DRIVE COUPLING RS 52MM CI
7	1	COUPLING ELEMENT SIZE 8-JE
8	1	VALVE BALL 1/2" THD SP BRSS
9	2	VALVE CHECK HINGED 2-1/2" THD SS/316L
10	1	VALVE CHECK SWING 1/2" THD BRASS
11	1	VALVE SOLENOID 1/2" NA MC BRASS
12	1	VALVE FLOW CONTROL 3/4" NPT 8 GPM
13	1	SEPARATOR NR/PPE 10" OD 2-1/2" NPT NI
14	1	BRACKET CONTROL PANEL 16" X 10" X 6" ENCL
15	1	BRACKET U BOLT 1/2" PIPE
16	1	BRACKET PIPE 7-3/4" X 2-1/2" X 5/8"THK CS
17	1	BASEPLATE WATERSEALED PR THW200V CS
18	1	MONORLOCK ASSEMBLY TR065-25RT
19	1	LIQUID RING VACUUM PUMP 1 STAGE MECH SEAL
20	1	CONTROL PANEL SMPVX N12 16" X 10" X 6" ENCL

- SYSTEM NOTES:**
- 1) LOCATE VACUUM SYSTEM ON A FLAT
 - 2) LEVEL SURFACE
 - 3) USE SHOCK MOUNTS WITH SQUARE HEAD
 - 4) USE 100 PSI RATED FLEXIBLE HOSE
 - 5) USE 1/2" PIPE FLANS

REV	DESCRIPTION	DATE	APPR
REVISIONS			

THIS PRINT IS PROPERTY OF TRAWANI PUMPS USA, INC. AND MAY NOT BE GIVEN TO ANY OTHER CONCERN WITHOUT THE CONSENT OF TRAWANI PUMPS USA, INC.

TOLERANCES

DECIMAL 3. 0.025"

FRACTIONAL 3/16" 1/32"

ANGULAR 3 0' 30" 00"

UNLESS OTHERWISE SPECIFIED IN DRAWING

PART NO. SAKXX3001113XXX

DWG BR: CMK BR: JATE

RV 10/4/04

APPROVED BR: SCALE: 1 = 6

TRAWANI PUMPS USA
Liquid Ring & Heavy Vane Vacuum Pumping and Systems

DESCRIPTION LIQUID RING VACUUM SYSTEM NO RECOVERY WATERSEALED	MODEL NO. TRW-200V-1NR DWG NO. 0410041-D
REV	REV