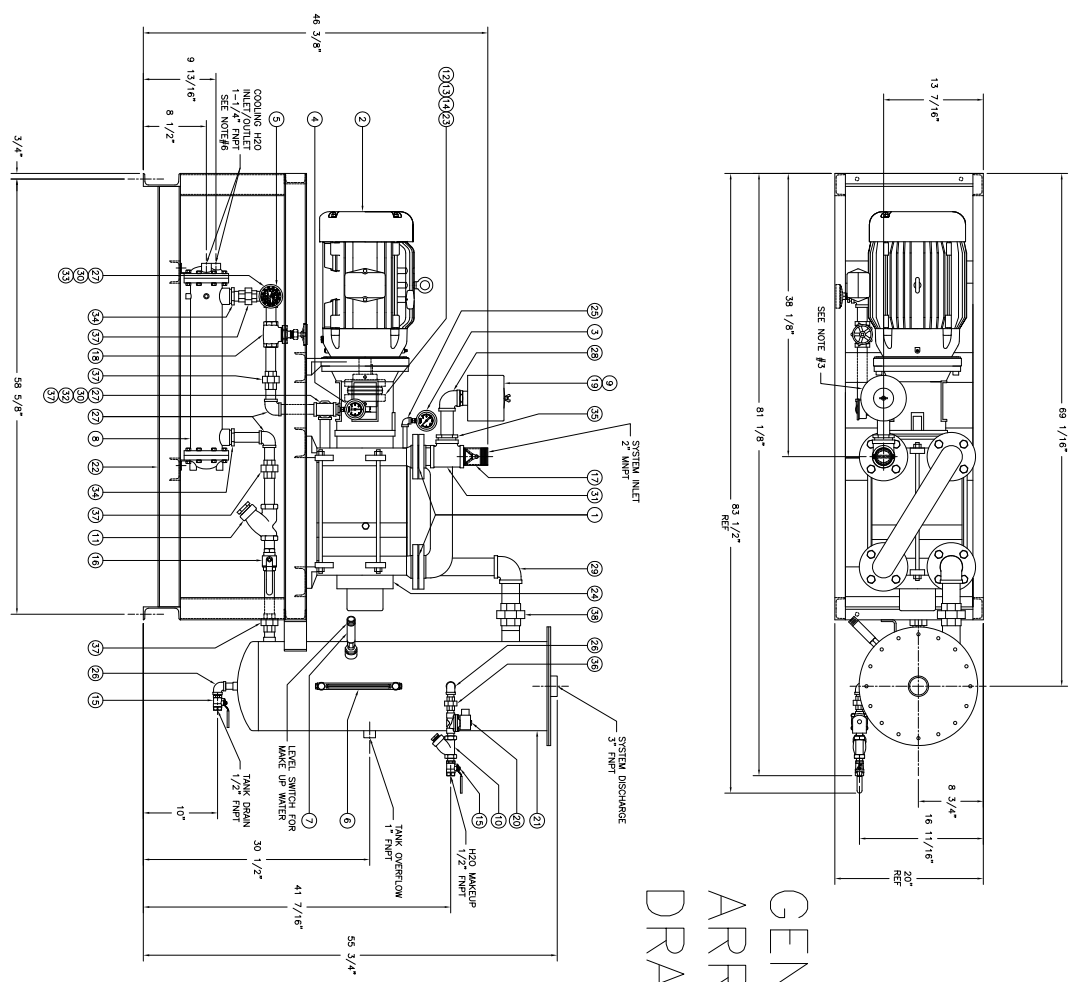
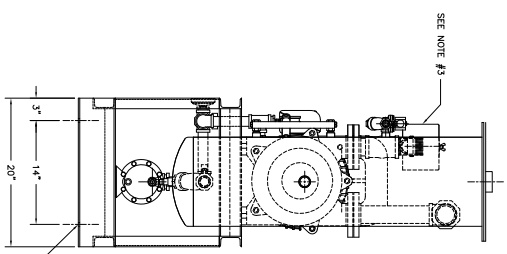


GENERAL ARRANGEMENT DRAWING ONLY



- SYSTEM NOTES:**
- 1) LOCAL SURFACE
 - 2) PUMP AND SECURE VACUUM SYSTEM ON A FLAT
 - 3) PUMP FLANGE REQUIRED TO BE SQUARE ELONG
 - 4) ALL WELDED COMPONENTS AND PIPING (PROCESS SIDE) TO BE STAINLESS STEEL
 - 5) GASKETS, SEALS AND SEALS WILL BE TEFLOON, BUNA OR
 - 6) CUSTOMER TO SUPPLY FOR F OR BELOW WATER FOR COOLING.



BILL OF MATERIALS

ITEM	QTY	DESCRIPTION	PART NUMBER
1	2	GASKET FLAT 4-1/8" OD X 2-1/4" ID X 3/32" THK.	176-4122-0000
2	1	MOTOR 20HP 4P TEC 256TC 3/230/460V FLTS	231-0200-C000
3	1	GALVE VACUUM 1/4" NPT 0-307HV 316 SST	400-0025-B002
4	1	GALVE COMPOUND 1/4" NPT 30/0/15 PSIG 316 SST	401-0025-B002
5	1	GALVE TEMP 1/2"NPT 20/240T-10/110C SST	410-0050-F001
6	1	GALVE LEVEL 1/2"NPT X 10" LONG 316 SS/BIWA	420-0050-A014
7	1	SWITCH, LEVEL, 1" NPT XP 303 SST	465-0100-A001
8	1	HEAT EXCHANGER 04X24 4P SST/CI DOMINANTS	524-0424-A004
9	1	FILTER SILENCER 1-1/4" THD.	660-0125-A001
10	1	STRAINER 1/2" NPT 316 SST	660-0050-C001
11	1	STRAINER 1" NPT 316 SST	660-0100-C001
12	1	COUPLING DRIVE BS 1-5/8" CI	702-0800-B162
13	1	COUPLING DRIVE BS 32MM CI	702-0802-B032
14	1	ELEMENT COUPLING SIZE 8-1/2"	752-0800-B001
15	2	VALVE BALL 1/2" NPT SP 316 SST	801-0050-A004
16	1	VALVE BALL 1" NPT FP 316 SST	802-0100-C000
17	1	VALVE CHECK HINGE 2" NPT SS/BUNA	820-0200-B002
18	1	VALVE GLOBE 1" NPT 316 SST	830-0100-B000
19	1	VALVE VACUUM RELIEF 1-1/4" THD. 316 SST	852-0125-C000
20	1	VALVE SOLENOID 1/2" NPT M4 NC 304 SS/EPDM	855-0050-B009
21	1	SEPARATOR FR 2" NPT INLET 3" NPT OUTLET 304 SST	903-0806-1910
22	1	SEPARATE W/TERSEALD FR CS	950-0702-0620
23	1	MONO-BLOCK ASSEMBLY TRS/HSO 258T	AMB-TR50-258T
24	1	VACUUM PUMP UR 2 STAGE TEFLOON SEALS	TRHBS0-340/43-T
25	1	ELBOW 90° 1/4" NPT 316 SS	111-0025-0223
26	2	ELBOW 90° 1/2" NPT 316 SS	111-0050-0223
27	4	ELBOW 90° 1" NPT 316 SS	111-0100-0223
28	1	ELBOW 90° 1-1/4" NPT 316 SS	111-0125-0223
29	1	ELBOW 90° 2" NPT 316 SS	111-0200-0223
30	2	TEE STRAIGHT 1" NPT 316 SS	121-0100-0223
31	1	TEE STRAIGHT 2" NPT 316 SS	121-0200-0223
32	1	BUSHING REDUCING 1" NPT X 1/4" NPT 316 SS	137-0602-0223
33	1	BUSHING REDUCING 1" NPT X 1/2" NPT 316 SS	137-0604-0223
34	2	BUSHING REDUCING 1-1/2" NPT X 1" NPT 316 SS	137-0806-0223
35	1	BUSHING REDUCING 2" NPT X 1-1/4" NPT 316 SS	137-0907-0223
36	1	UNION STRAIGHT 1/2" NPT 316 SS	155-0050-0223
37	5	UNION STRAIGHT 1" NPT 316 SS	155-0100-0223
38	1	UNION STRAIGHT 2" NPT 316 SS	155-0200-0223

THIS PRINT IS PROPERTY OF TRAWANI PUMPS USA, INC. AND MAY NOT BE GIVEN TO ANY OTHER CONCERN WITHOUT THE CONSENT OF TRAWANI PUMPS USA, INC.

TOLERANCES

DECIMAL ± .0025"

FRACTIONAL ± 1/32"

ANGULAR ± 0° 30' 00"

UNLESS OTHERWISE SPECIFIED IN DRAWING

REV	DESCRIPTION	DATE	APPR
1	REVISIONS		

PART NO. SC20X340B133XA

DWG BR: DATE

REV: 6/16/08

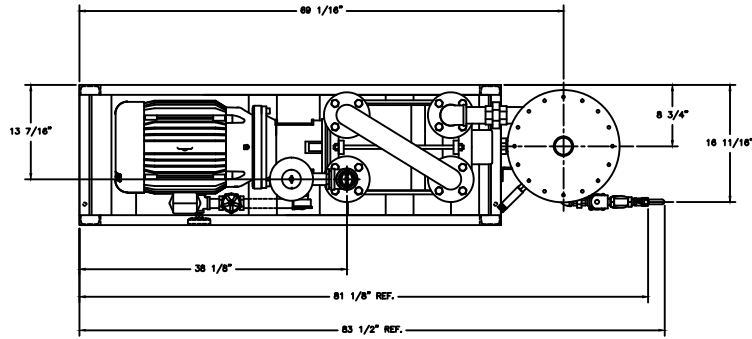
APPROVED BY: SCALE: 1 = 8

MODEL NO. TRW250H-1FR-SS

DWG NO. 0806161-D

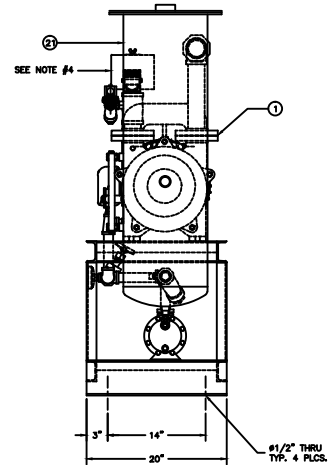
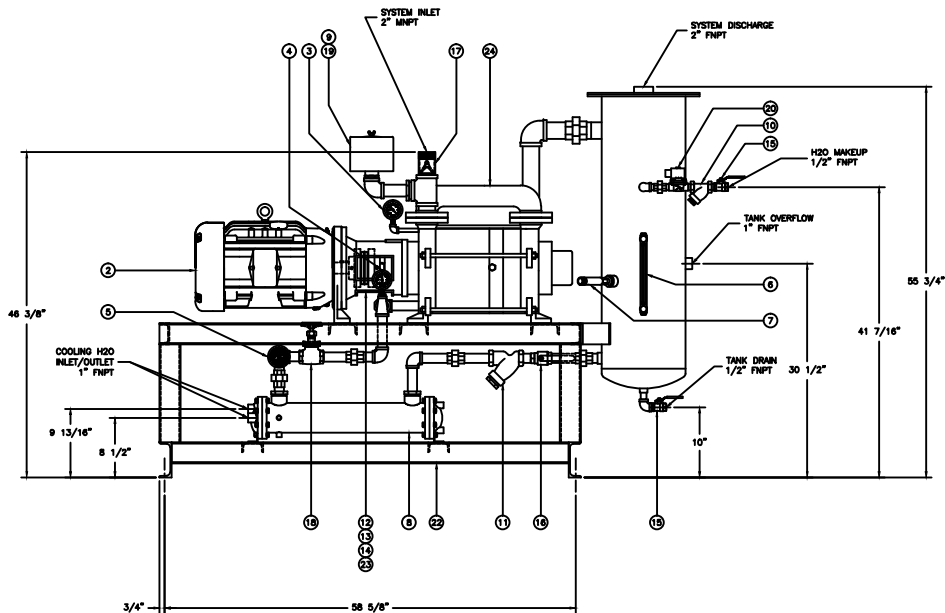
DESCRIPTION: WATERSEALED FULL RECOVERY 20 H.P. SIMPLEX VACUUM SYSTEM STAINLESS STEEL

TRAWANI PUMPS USA
Loyal Bred & Steady Means Vacuum Pumping and Systems



- SYSTEM NOTES:**
- 1) LOCATE VACUUM SYSTEM ON A FLAT LEVEL SURFACE.
 - 2) PLUG EMPTY PORTS WITH SQUARE HEAD NPT PIPE PLUGS.
 - 3) ROTATE "Y"-STRAINER 30° FROM VERTICAL.
 - 4) 8" CLEARANCE REQUIRED TO SERVICE ELEMENT.
 - 5) ALL WETTED COMPONENTS AND PIPING (PROCESS SIDE) TO BE STAINLESS STEEL.
 - 6) GASKETS, SEALS AND SEATS WILL BE TEFLON, BUNA OR EQUIVALENT SUBSTITUTE.

**GENERAL
ARRANGEMENT
DRAWING
ONLY**



BILL OF MATERIALS			
ITEM	QTY	DESCRIPTION	PART NUMBER
1	2	GASKET FLAT 4-1/8" OD X 2-1/4" ID X 3/32" THK.	176-4122-0000
2	1	MOTOR 20HP 4P TEFC 256TC 3/230/460V FTLS	231-0200-C000
3	1	GAUGE VACUUM 1/4" NPT 0-30"HgV 316 SST	400-0025-8002
4	1	GAUGE COMPOUND 1/4" NPT 30/0/15 PSIG 316 SST	401-0025-8002
5	1	GAUGE TEMP 1/2"NPT 20/240F-10/110C SST	410-0050-F001
6	1	GAUGE LEVEL 1/2" NPT X 10" LONG 316 SST/BUNA	420-0050-A014
7	1	SWITCH, LEVEL, 1" NPT XP 303 SST	485-0100-A001
8	1	HEAT EXCHANGER 04X24 4P SST/CI BONNETS	524-0424-A004
9	1	FILTER SILENCER 1-1/4" THD.	602-0125-A001
10	1	STRAINER, Y 1/2" NPT 316 SST	660-0050-C001
11	1	STRAINER, Y 1" NPT 316 SST	660-0100-C001
12	1	COUPLING, DRIVE BS 1-5/8" CI	702-0800-B162
13	1	COUPLING, DRIVE BS 32MM CI	702-0802-8032
14	1	ELEMENT, COUPLING SIZE 8-JE	752-0800-8001
15	2	VALVE BALL 1/2" NPT SP 316 SST	801-0050-A004
16	1	VALVE BALL 1" NPT FP 316 SST	802-0100-C000
17	1	VALVE CHECK HINGE 2" NPT SS/BUNA	820-0200-8002
18	1	VALVE GLOBE 1" NPT 316 SST	835-0100-C000
19	1	VALVE VACUUM RELIEF 1-1/4" THD. 316 SST	852-0125-C000
20	1	VALVE SOLENOID 1/2" NPT N4 NC 304 SST/EPDM	855-0050-8009
21	1	SEPARATOR FR 2" NPT INLET/OUTLET 304 SST	903-0702-0810
22	1	BASEPLATE WATERSEALED FR CS	950-0702-0820
23	1	MONO-BLOCK ASSEMBLY TRS/H50 256T	AMB-TR50-256T
24	1	VACUUM PUMP LR 2 STAGE TEFLON SEALS	TRH650-340/A3-T

THIS PRINT IS PROPERTY OF TRAVAIN PUMPS USA, INC. AND MAY NOT BE GIVEN TO ANY OTHER CONCERN WITHOUT THE CONSENT OF TRAVAIN PUMPS USA, INC.

TOLERANCES

DECIMAL ± .0025"
 FRACTIONAL ± 1/32"
 ANGULAR ± 0' 30" 00"

UNLESS OTHERWISE SPECIFIED IN DRAWING

1574 NO. VARIOUS

PART NO. SC2GX3404J13XXA

DESCRIPTION: WATERSEALED FULL RECOVERY 20 H.P. SIMPLEX VACUUM SYSTEM STAINLESS STEEL

MODEL NO. TRW250H-1FR-SS

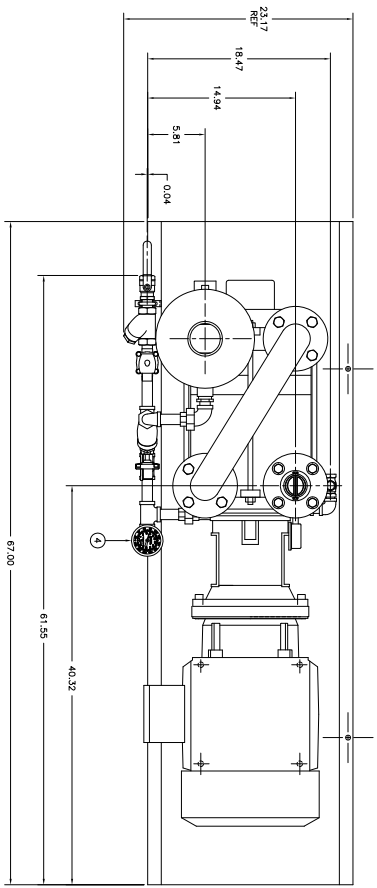
DWG NO. 0702063-D

DATE: 2/6/07

SCALE: 1 = 8



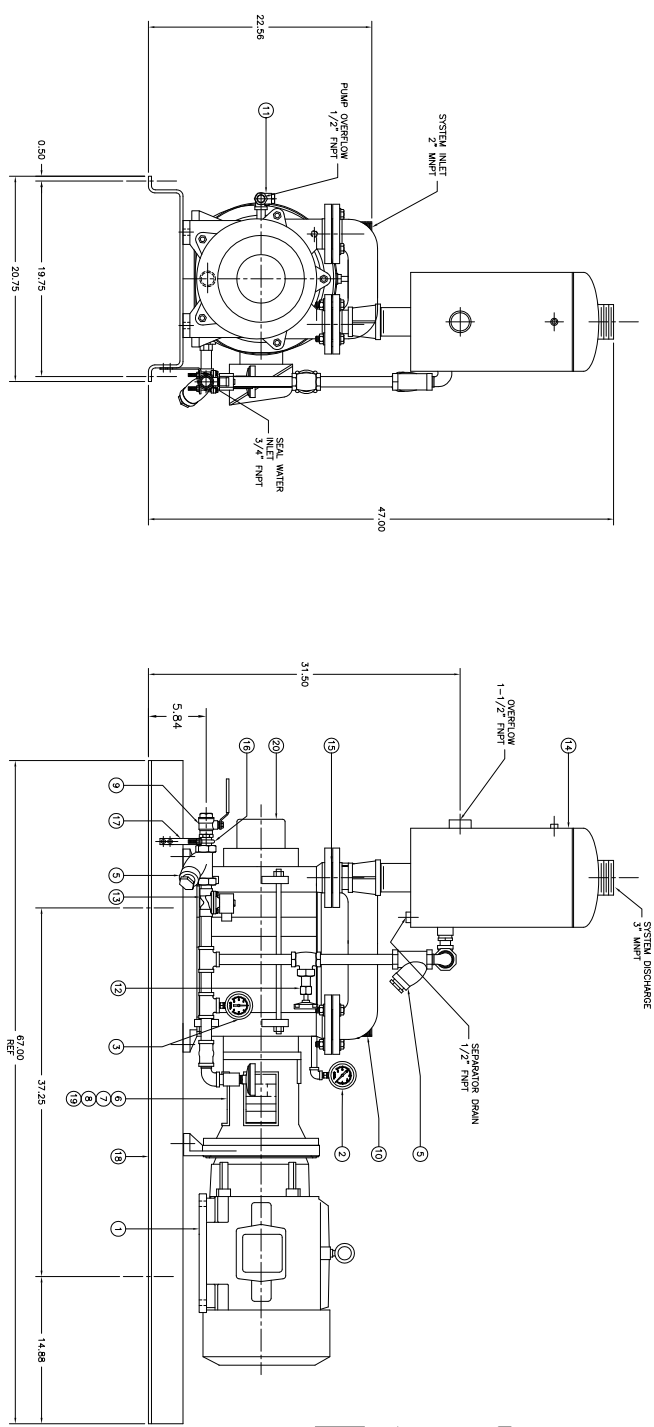
REV	DESCRIPTION	DATE	APPR
REVISIONS			



BILL OF MATERIALS		
ITEM	QTY	PART NUMBER
1	1	MOTOR 20HP 4P TEC 268TC
2	1	GAUGE VACUUM 0-30"HgV BRASS 2.5" DIA
3	1	GAUGE COMPOUND 401-0025-FR00
4	1	TEMPERATURE 202/240F--110/110C 3" DIA
5	2	STRAINER Y .75" THD CI 660-0075-A001
6	1	DRIVE COUPLING BS 1.625" CI 702-0800-B162
7	1	DRIVE COUPLING BS 32MM CI 702-0802-B032
8	1	COUPLING ELEMENT SIZE 8--JE 702-0800-B001
9	1	VALVE BALL .75" THD SP BR/BR/PTFE 801-0075-B000
10	1	VALVE CHECK HINGE 2" THD SS/SS/BUVA 820-0200-B002
11	1	VALVE CHECK SWING 50" THD BRASS/TEFLON 821-0050-FR00
12	1	VALVE GLOBE .75" THD BRONZE/TEFLON 825-0075-A000
13	1	VALVE SOLENOID .75" IN NC BRASS/BUVA 855-0075-B000
14	1	SEPARATOR - IN/PR 10" OD W/2-1/2" INLET 901-9405-1310
15	2	GASKET MANIFOLD 2.25" ID X .094" THK 945000105651
16	1	BRACKET U BOLT 3/4" PIPE 948-9704-0310
17	1	BRACKET PIPE 7/8" X 2.5" X .62" THK 948-9711-2440
18	1	BASEPLATE 1020 18" X 67" CS 950-9509-0110
19	1	M-BLOCK ASSEMBLY TRS/H50 248T AM8-TR50-248T
20	1	LIQUID RING VACUUM PUMP 2 STAGE MECH SEALS TRH850-340/CH

SYSTEM NOTES:
 1) LOCATE VACUUM SYSTEM ON A FLAT LEVEL SURFACE.
 2) PLUG EMPTY PORTS WITH SQUARE HEAD NPT PIPE PLUGS.

GENERAL ARRANGEMENT DRAWING ONLY



THIS PRINT IS PROPERTY OF TRAWANI PUMPS USA, INC. AND MAY NOT BE GIVEN TO ANY OTHER CONCERN WITHOUT THE CONSENT OF TRAWANI PUMPS USA, INC.

TOLERANCES
 DECIMAL ± .005
 FRACTIONAL ± 1/32"
 ANGLE ± 0° 30' 00"
 UNLESS OTHERWISE SPECIFIED IN DRAWING

PART NO. 11030-01
 DATE 8/22/01
 SCALE 1 = 6

DESCRIPTION: WATERSEATED 20 HP. SIMPLEX PARTIAL RECOVERY VACUUM SYSTEM

TRAWANI PUMPS USA
 Liquid Ring & Slurry Vapor Recovery Pumping and Systems

REV	DESCRIPTION	DATE	APP
REVISIONS			