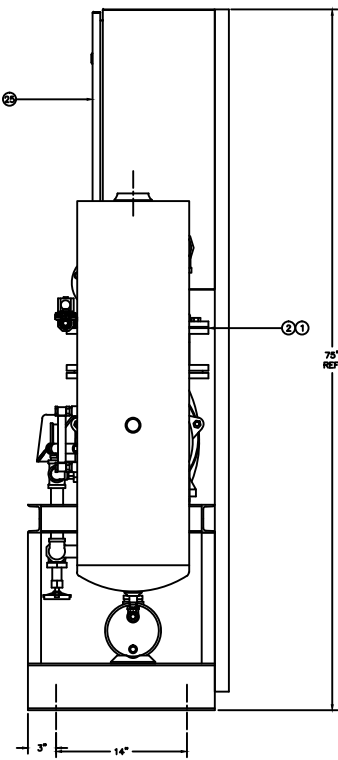
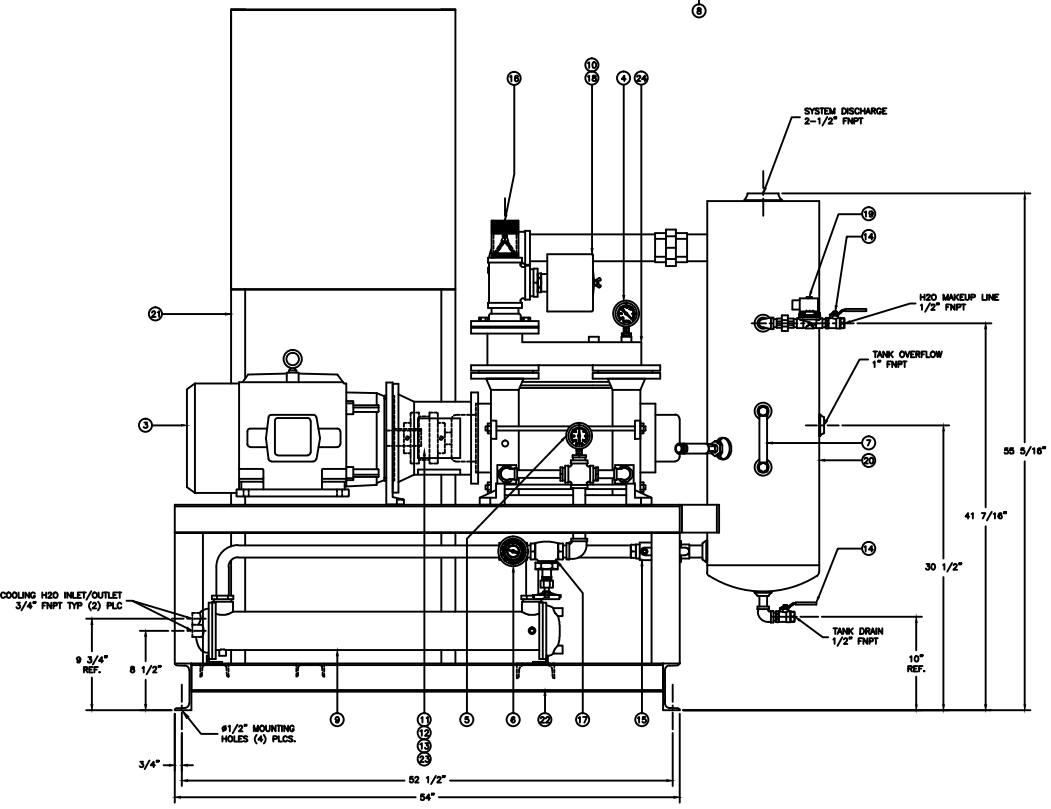


- NOTES:
- 1) LOCATE AND SECURE VACUUM SYSTEM ON A FLAT, LEVEL SURFACE.
 - 2) PLUG EMPTY PORTS WITH SQUARE HEAD NPT PIPE PLUGS.
 - 3) REQUIRED CLEARANCE TO SERVICE ELEMENT IS 6\".



BILL OF MATERIALS			
ITEM	QTY	DESCRIPTION	PART NUMBER
1	2	FLANGE 2-1/2" 150# RF CS	161-0250-7011
2	2	GASKET FLAT 4-1/4" OD X 2-1/2" ID	176-0503-0001
3	1	MOTOR 20 HP 4P TEFC 256TC FTLS	231-0200-C000
4	1	GAUGE VACUUM 0-30" HGV BRASS	400-0025-F000
5	1	GAUGE COMPOUND 30/0/15 BRASS	401-0025-F000
6	1	GAUGE TEMP 20/240°F--10/110°C	410-0050-F001
7	1	GAUGE LEVEL 6" NPT 1/2" NPT	420-0050-A008
8	1	SWITCH LEVEL 1" XP BRASS	465-0100-A000
9	1	HEAT EXCHANGER 04X36 4P CS/Cu/CI	524-0436-A005
10	1	FILTER,SILENCER 1-1/4" THD.	602-0125-A001
11	1	COUPLING DRIVE BS 1-5/8"	702-0800-S162
12	1	COUPLING DRIVE BS 32MM CI	702-0802-B032
13	1	ELEMENT COUPLING SIZE B-JE	752-0800-B001
14	2	VALVE BALL 1/2" THD BRASS	801-0050-8000
15	1	VALVE BALL 1" THD BRASS	802-0100-8000
16	1	VALVE CHECK HINGE 2-1/2" THD SS/BUNA	820-0250-8005
17	1	VALVE GLOBE 1" THD BRZ	835-0100-A000
18	1	VALVE VACUUM REL. 1-1/4" THD. SST	852-0125-C000
19	1	VALVE SOLENOID 1/2" N4 NC BRASS	855-0050-8000
20	1	SEPARATOR FR 2-1/2" INLET	903-9409-0720
21	2	BRACKET CONTROL PANEL	948-1209-0410
22	1	BASEPLATE H2O FR	950-9712-0930
23	1	M-BLOCK ASSY TRV65 256T	AMB-TRV65-256T
24	1	VACUUM PUMP LR 1 STAGE MECH SEAL	TRV65-450/RX
25	1	CONTROL PANEL N12 30" X 24" X 12" ENCL	ZCP-51652-1200

**GENERAL
ARRANGEMENT
DRAWING
ONLY**

THIS PRINT IS PROPERTY OF TRAWN PUMPS USA, INC. AND MAY NOT BE GIVEN TO ANY OTHER CONCERN WITHOUT THE CONSENT OF TRAWN PUMPS USA, INC.

TOLERANCES

DECIMAL ± .125"
 FRACTIONAL ± 1/16"
 ANGULAR ± 0' 30" 00"

UNLESS OTHERWISE SPECIFIED IN DRAWING

1574 NO. VARIOUS

PART NO. SC2HX4507J13VX2

DWG BY: GJK/RY DATE 9/04/12
 BPT RR/BC

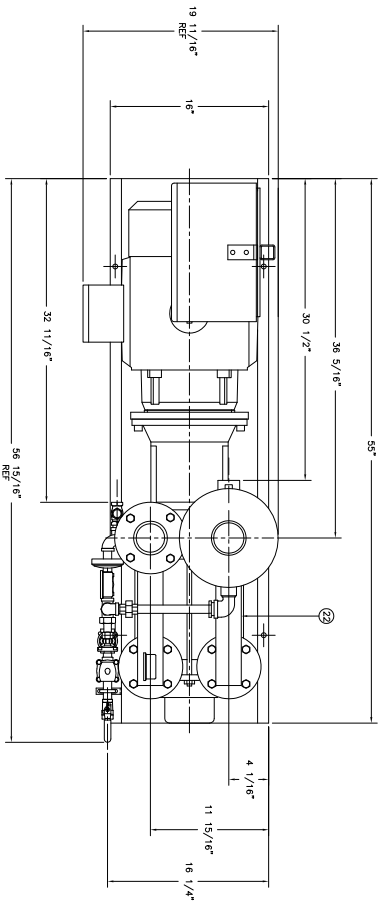
APPROVED BY: SCALE: 1 = 6

TRAWN PUMPS USA
 Liquid Ring & Rotary Vane Vacuum Pump and System

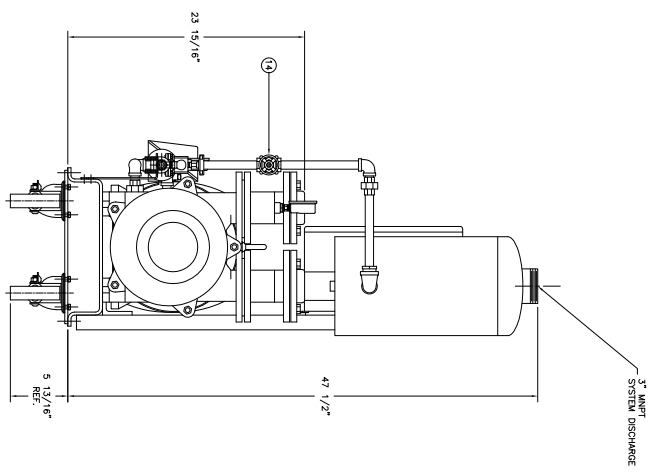
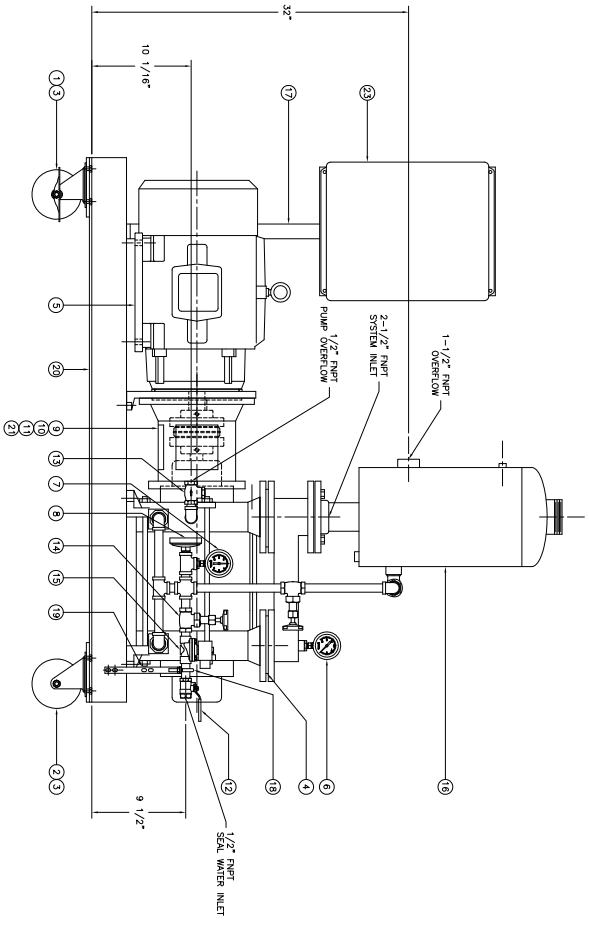
DESCRIPTION: WATERSEALED FULL RECOVERY 20 HP WATER COOLED SIMPLEX VACUUM SYSTEM

MODEL NO. TRW300V-1FR
 DWG NO. 1208271-D

REV	DESCRIPTION	DATE	APPR
REVISIONS			



SYSTEM NOTES
 1) SYSTEM LOCKED SYSTEM ON A FLAT LEVEL SURFACE.
 2) PLUG ALL UNUSED PORTS WITH SQUARE HEAD NPT PIPE PLUGS.



GENERAL ARRANGEMENT DRAWING ONLY

BILL OF MATERIALS		
ITEM	QTY	PART NUMBER
1	2	5" DIA. X 2" SWIREL. CASTER
2	2	5" DIA. X 2" RIGID CASTER
3	2	ROLL LOCK BRAKE KIT
4	2	GASKET FLAT 5" OD X 3" ID
5	1	MOTOR 20HP 4P TEC 2587C
6	1	GAUGE VAC 0-30"HSV BRASS 2-1/2" DIA
7	1	GAUGE COMP 30/0/15 BRASS 2-1/2" DIA
8	1	GAUGE TEMP 20/24DT-10/110C 3" DIA
9	2	COUPLING BS 1-5/8" CI
10	1	COUPLING BS 32MM CI
11	1	COUPLING ELEMENT SIZE 8-JE
12	1	VALVE BALL 1/2" THD SP BRN
13	1	VALVE CHECK SWING 1/2" THD BRASS
14	2	VALVE GLOBE 1/2" THD BRZ
15	1	VALVE SOLENOID 1/2" THD 1/4" NC BRASS
16	1	SEPARATOR NR/PFR CS
17	1	BRACKET CONTROL PANEL 16"X14"X8" ENCL.
18	1	BRACKET U BOLT 1/2" PIPE
19	1	BRACKET PIPE 2-3/4" X 2-1/2" CS
20	1	BASEPLATE 55" X 16" X 4" CS
21	1	M-BLOCK ASSY TR665 2587
22	1	VACUUM PUMP LR 1 STAGE MECH SEAL
23	1	CONTROL PANEL 480V 16"X14"X8" ENCL

THIS PRINT IS PROPERTY OF TRAWANI PUMPS USA, INC. AND MAY NOT BE GIVEN TO ANY OTHER CONCERN WITHOUT THE CONSENT OF TRAWANI PUMPS USA, INC.

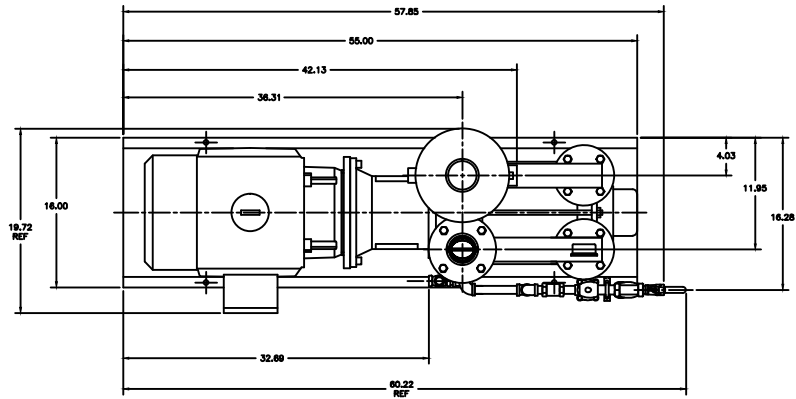
TOLERANCES
 DECIMAL ± .0025"
 FRACTIONAL ± 1/16"
 ANGLE ± 0° 30' 00"
 UNLESS OTHERWISE SPECIFIED IN DRAWING

PART NO. SBXXK4507J133XS
 DIMS BR: CDM BR: DATE
 BC RRR 8/17/12
 APPROVED BR: SCALE: 1 = 6

DESCRIPTION: WATERSEALD 20HP SIMPLEX PARTIAL RECOVERY VACUUM SYSTEM

MODEL NO. TRW300V-1PR
 DWG NO. 1208071-D

TRAWANI PUMPS USA
 Label Bag & Heavy Non-Vacuum Pumping and Systems

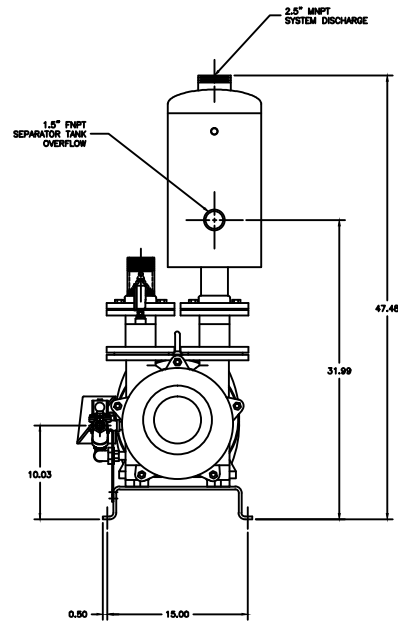
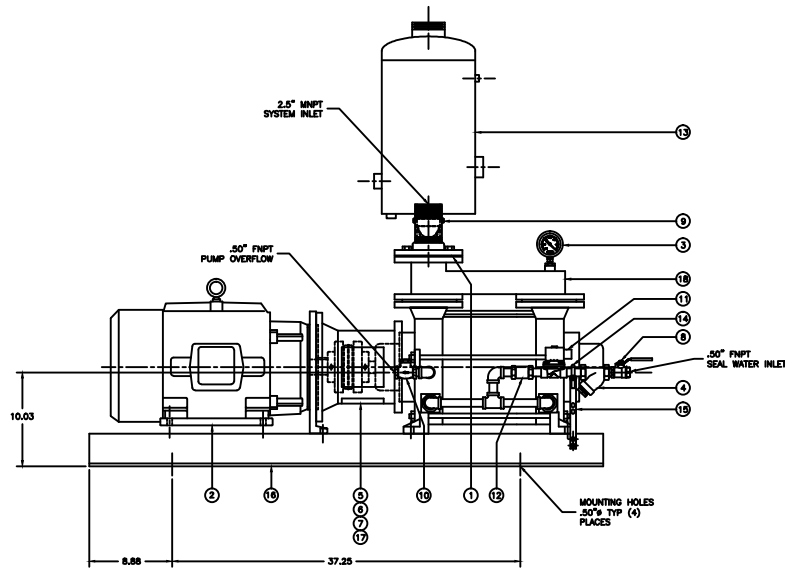


**GENERAL
ARRANGEMENT
DRAWING
ONLY**

BILL OF MATERIALS			
ITEM	QTY	DESCRIPTION	PART NUMBER
1	2	GASKET FLAT 5.0" OD X 3.0" ID GARLOCK	176-0503-0001
2	1	MOTOR 20HP 4P TEFC 256TC	231-0200-C000
3	1	GAUGE VACUUM 0-30"hgV BRASS 2.5" DIAL	400-0025-F000
4	1	STRAINER Y .50" THD CI	660-0050-A001
5	1	DRIVE COUPLING BS 1.625" CI	702-0800-B162
6	1	DRIVE COUPLING BS 32MM CI	702-0802-B032
7	1	COUPLING ELEMENT SIZE 8-JE EPDM	752-0800-B001
8	1	VALVE BALL .50" THD SP BRS/BRS/PTFE	801-0050-B000
9	1	VALVE CHECK HINGE 2.5" THD SS/BUHA	820-0250-B005
10	1	VALVE CHECK SWING .50" THD BRS/TEFL	821-0050-F000
11	1	VALVE SOLENOID .50" N4 NC BRASS, 120V	855-0050-B000
12	1	VALVE FLOW CONTROL 6.0 GPM	880-0050-A060
13	1	SEPARATOR NR/PR 10.0"Ø W/2.5" INLET CS	901-9405-1310
14	1	BRACKET U BOLT .50" PIPE CS	948-9709-1920
15	1	BRACKET PIPE 7.75" X 2.5" X .62" CS .25" THK	948-9711-2440
16	1	BASEPLATE H20 CS 55.0"X16.0"X3.5" TRW300V	950-9712-1520
17	1	MONO-BLOCK ASSEMBLY TRV6S 256T	AMB-TRV6-256T
18	1	VACUUM PUMP LIQUID RING 1 STAGE MECH SEAL	TRV6S-460/1CRA

SYSTEM NOTES

- 1) LOCATE VACUUM SYSTEM ON A FLAT, LEVEL SURFACE.
- 2) PLUG EMPTY PORTS WITH SQUARE HEAD NPT PIPE PLUGS.



THIS PRINT IS PROPERTY OF TRAVAH PUMPS USA, INC. AND MAY NOT BE GIVEN TO ANY OTHER CONCERN WITHOUT THE CONSENT OF TRAVAH PUMPS USA, INC.

TOLERANCES		13818-02
DECIMAL	± .00"	
FRACTIONAL	± 1/2"	
ANGULAR	± 0' 30" 00"	
UNLESS OTHERWISE SPECIFIED IN DRAWING		



DESCRIPTION		WATERSEALED 20 HP SIMPLEX NO RECOVERY VACUUM SYSTEM
MODEL NO.	TRW300V-1HR	
DWG NO.	0204231-D	

REV	DESCRIPTION	DATE	APPR
REVISIONS			

DWG BY:	DMO	DATE:	4/23/02
APPROVED BY:	DMO	SCALE:	1 = 6