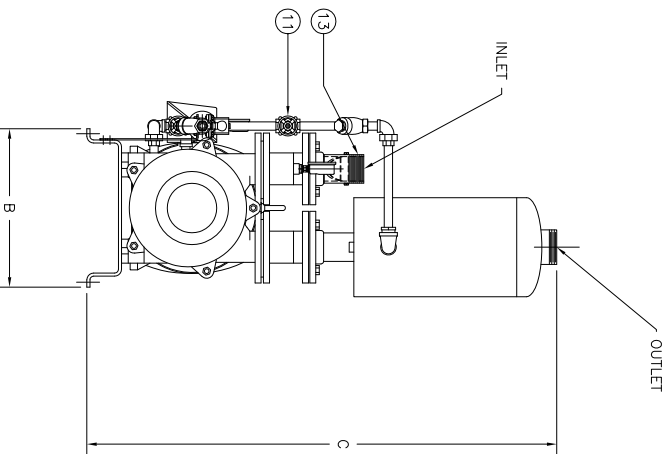
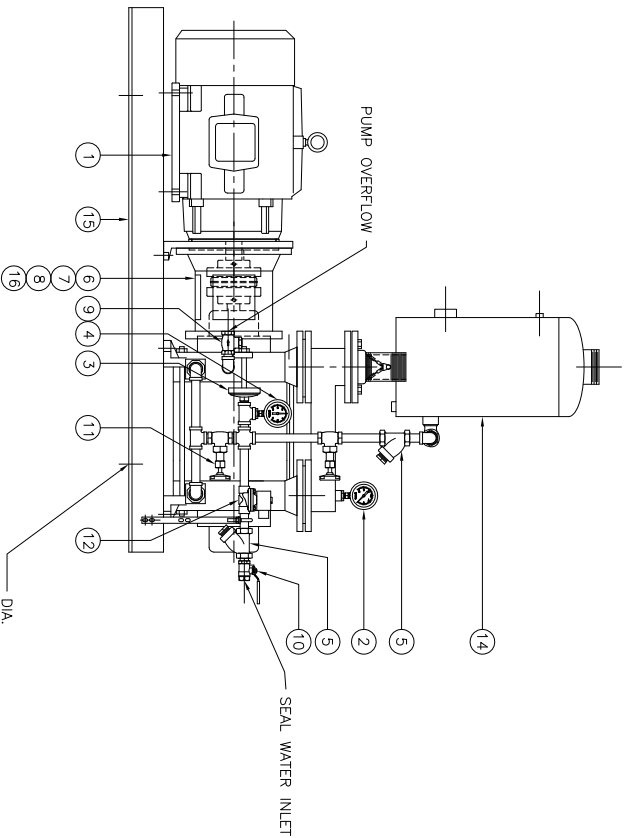
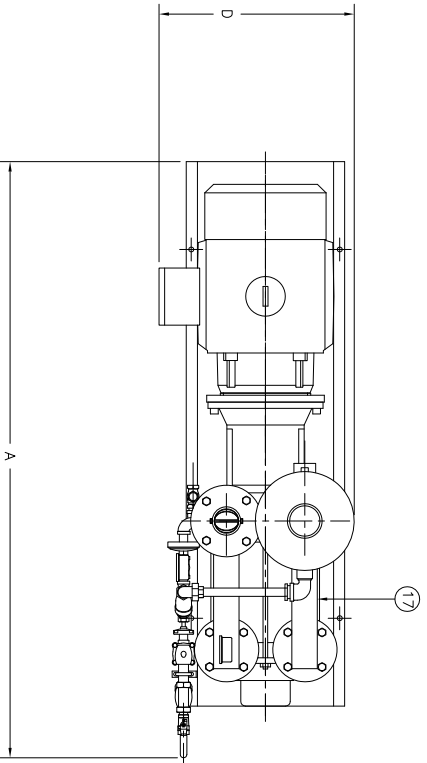


MODEL	DIM. A	DIM. B	DIM. C	DIM. D	INLET	OUTLET	DIA.
TRW300V-1PR	60-1/4"	16"	47-1/2"	19-11/16"	2-1/2"	2-1/2"	1/2"
TRW400S-1PR	76"	24"	68"	25"	4"	5"	1/2"

## WATERSEALED 20 AND 25 HP VACUUM SYSTEM



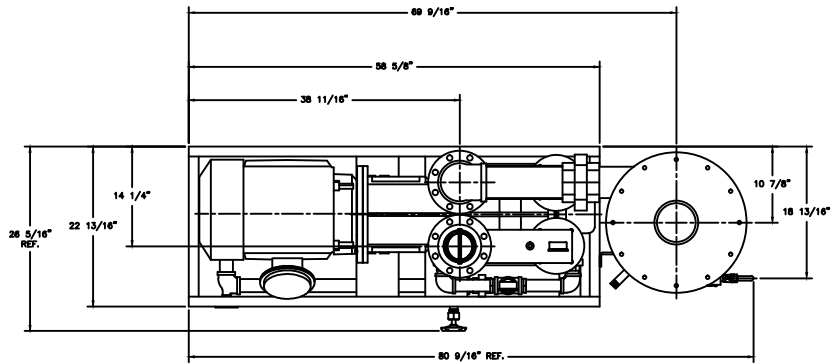
BILL OF MATERIALS	
ITEM	DESCRIPTION
1	1 MOTOR
2	1 VACUUM GAUGE
3	1 TEMPERATURE GAUGE
4	1 COMPOUND GAUGE
5	2 Y-STRAINER
6	1 DRIVE COUPLING
7	1 DRIVE COUPLING
8	1 COUPLING ELEMENT
9	1 DRAIN VALVE
10	1 BALL VALVE
11	2 GLOBE VALVE
12	1 SOLENOID VALVE
13	1 INLET CHECK VALVE
14	1 SEPARATOR
15	1 BASEPLATE
16	1 MONO BLOCK ASSEMBLY
17	1 VACUUM PUMP

THIS PRINT IS PROPERTY OF TRAWANI PUMPS USA, INC. AND MAY NOT BE GIVEN TO ANY OTHER CONCERN WITHOUT THE CONSENT OF TRAWANI PUMPS USA, INC.



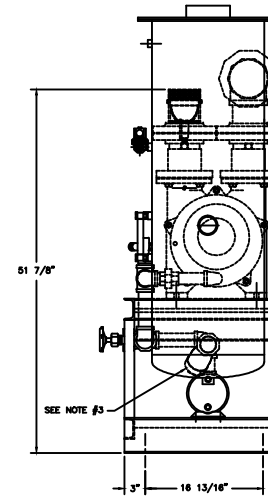
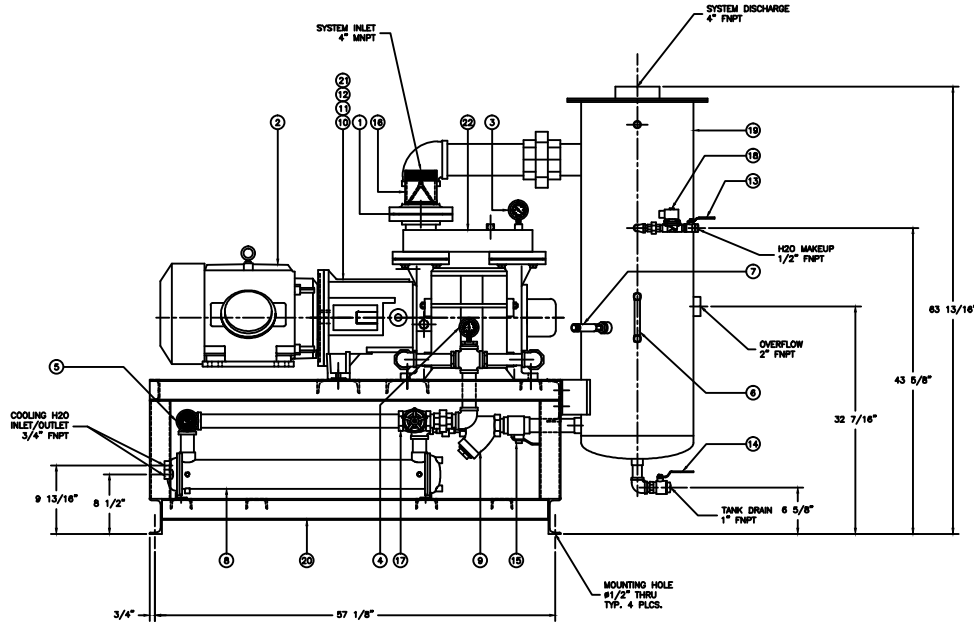
DESCRIPTION: FOR GENERAL ARRANGEMENT ONLY

PAGE NO.: 1 DATE: 6/18/04 SCALE: NONE



- NOTES:  
 1) LOCATE VACUUM SYSTEM ON A FLAT, LEVEL SURFACE.  
 2) PLUG EMPTY PORTS WITH SQUARE HEAD NPT PIPE PLUGS.  
 3) ROTATE Y-STRAINER (ITEM #9) 30° FROM VERTICAL.

BILL OF MATERIALS			
ITEM	QTY	DESCRIPTION	PART NUMBER
1	2	GASKET FLAT 6-3/16" OD X 4-9/16" ID	176-6246-0000
2	1	MOTOR 25 HP 4P XP 284TC	262-0250-C000
3	1	GAUGE VACUUM 0-30 HGV 316 SST	400-0025-8002
4	1	GAUGE COMPOUND 30/0/15 316 SST	401-0025-8002
5	1	GAUGE TEMP 20/240°F--10/110°C	410-0050-F001
6	1	GAUGE LEVEL 6" 1/2" NPT SST	420-0050-A011
7	1	SWITCH LEVEL 1" XP 316 SST	465-0100-A001
8	1	HEAT EXCHANGER 04X36 4P SST	524-0438-A003
9	1	STRAINER Y 1-1/2" THD SST	660-0150-C001
10	1	COUPLING DRIVE 9S 1-7/8"	702-0900-B187
11	1	COUPLING DRIVE 9S 42MM CI	702-0901-B042
12	1	ELEMENT COUPLING SIZE 9-JES	752-0900-B000
13	1	VALVE BALL 1/2" THD 316 SST	801-0050-A004
14	1	VALVE BALL 1" THD SST	802-0100-C000
15	1	VALVE BALL 1-1/2" THD 316 SST	802-0150-A000
16	1	VALVE CHECK HINGE 4" THD SS/BUNA	820-0400-8001
17	1	VALVE GLOBE 1-1/2" THD SST	835-0150-A001
18	1	VALVE SOLENOID 1/2" N7 NC SST	855-0050-B005
19	1	SEPARATOR FR 4" IN/OUT 316 SST	903-0409-2110
20	1	BASEPLATE H2O FR	950-0409-0710
21	1	M-BLOCK ASSY TRSC100 28BT XP	AMB-TR100-28BTX
22	1	VACUUM PUMP LR 1 STAGE MECH SEAL 316 SST	TRSC100-550/A3



THIS PRINT IS PROPERTY OF TRAVAIN PUMPS USA, INC. AND MAY NOT BE GIVEN TO ANY OTHER CONCERN WITHOUT THE CONSENT OF TRAVAIN PUMPS USA, INC.

**TOLERANCES**

DECIMAL ± .0025"  
 FRACTIONAL ± 1/2"  
 ANGULAR ± 0' 30" 00"

UNLESS OTHERWISE SPECIFIED IN DRAWING

157N NO. 23527-04

PART NO. N/A

DWG BY: GSK BY: DATE 9/23/04

APPROVED BY: SCALE: 1 = 8



DESCRIPTION  
 WATERSEALED FULL RECOVERY 25 HP STAINLESS  
 STEEL EXPLOSION PROOF VACUUM SYSTEM

MODEL NO. TRW400S-1FR-XP-SS DWG NO. 0409231-D REV --

REV	DESCRIPTION	DATE	APPR
REVISIONS			