

- SYSTEM NOTES:
- 1) LOCATE AND SECURE VACUUM SYSTEM ON A FLAT, LEVEL SURFACE.
  - 2) PUMP MUST BE SHUT DOWN WITH SQUARE HEAD NPT PIPE PLUGS.
  - 3) REMOVE V-STRAINER 3\"/>

ITEM	QTY	DESCRIPTION	PART NUMBER
1	3	GASKET, FLAT 5-1/4" OD X 3-1/2" ID CARBON	176-5235-0000
2	1	FLANGE, 3" NPS 150# RE SUP-ON 316SS	162-0300-7023
3	1	MOTOR, 40HP 4P TERC 3241C 230/460V FOOTLESS	231-0400-C000
4	1	GUAGE, VACUUM 0-30"HgV 1/4" MNPT 316SS	400-0025-B002
5	1	GUAGE, COMPOUND 30"HgV/0.95PSI 1/4"MNPT 316SS	401-0025-B002
6	1	GUAGE, TEMP 20/240F/-10/110C 1/5"MNPT 304SS	410-0050-F001
7	1	GUAGE, LEVEL 10" LONG X 1/2"MNPT 316SS/GLASS	420-0050-A014
8	1	SWITCH, LEVEL 1" MNPT XP 305SS BODY/FLMT	465-0100-A001
9	1	HEAT EXCHANGER, 4" X 3\"/>	522-0456-A004
10	1	FILTER, SLENDER 1-1/2" MNPT 60 SCRN POLY ELAMT	602-0125-A001
11	1	STRAINER, Y 1/2" MNPT 316SS 20 MESH	660-0050-C001
12	1	STRAINER, Y 1-1/2" MNPT 316SS 20 MESH	660-0150-C001
13	1	COUPLING, DRIVE SS 2-1/8" CI	702-0900-B013
14	1	COUPLING, DRIVE SS 42MM CI	702-0901-B042
15	1	ELEMENT, COUPLING SIZE 9-6	752-0900-B001
16	1	VALVE, BALL 1/2" FNPT SP 316SS	801-0050-A004
17	1	VALVE, BALL 1" FNPT FP 316SS	802-0100-C001
18	1	VALVE, CHECK HINDE 3" MNPT SS/VITON	820-0150-C002
19	1	VALVE, GLOBE 1-1/4" FNPT SS/PTEL	835-0125-A001
20	1	VALVE, GLOBE 1-1/4" FNPT SS/PTEL	835-0125-A001
21	1	VALVE, VACUUM RELIEF 1-1/4" MNPT 316SS	852-0125-C000
22	1	VALVE, SOLENOID 1/2" FNPT N4 NC 305SS	855-0050-B009
23	1	SEPARATOR FR 3" FLANGED N 7/4" FNPT OUT 304SS	903-0706-A020
24	1	BASEPLATE WATERSEAL FR FOR TRM425H-1FR CS	950-0509-0710
25	1	MONO-BLOCK ASSEMBLY TRSC100 324T	A4B-TR100-324T
26	1	VACUUM PUMP, LR 2 STAGE W/FLON MESH SEALS	TRM800-6600/3-1
27	1	1/4" NPT 150# 90° ELBOW 316 SS	111-0025-0232
28	1	1" NPT 150# 90° ELBOW 316 SS	111-0100-0232
29	3	1-1/2" NPT 150# 90° ELBOW 316 SS	111-0125-0232
30	1	1-1/2" NPT 150# 90° ELBOW 316 SS	111-0150-0232
31	1	3" SCHEDULE 40 LR 90° BUTTWELD ELBOW 316 SS	111-0301-0232
32	1	1/2" NPT 150# 90° STREET ELBOW 316 SS	113-0050-0232
33	2	1-1/4" NPT 150# STRAIGHT TEE 316 SS	121-0125-0232
34	1	1-1/4" X 1/4" NPT 150# REDUCING BUSH 316 SS	137-0125-0232
35	1	1-1/2" X 1/2" NPT 150# REDUCING BUSH 316 SS	137-0104-0232
36	1	1-1/2" X 1-1/4" NPT 150# RED. BUSH 316 SS	137-0807-0232
37	1	1" NPT 150# SOLID FLUG 316 SS	142-0100-0232
38	1	1-1/4" NPT 150# HALF COUPLING 316 SS	147-0125-0232
39	1	3" NPT 150# HALF COUPLING 316 SS	147-0300-0232
40	1	1/2" NPT 150# UNION 316 SS	155-0050-0232
41	2	1-1/4" NPT 150# UNION 316 SS	155-0125-0232
42	2	1-1/2" NPT 150# UNION 316 SS	155-0150-0232

GENERAL  
ARRANGEMENT  
DRAWING ONLY



REV	DESCRIPTION	DATE	APPR
A	COUPLING ELEMENT WAS 752-0900-B000 PER ECR #517	8/20/07	RV

ITEM	DESCRIPTION	DATE	APPR
1	TRM425H-1FR-SS	06/04/07	RV

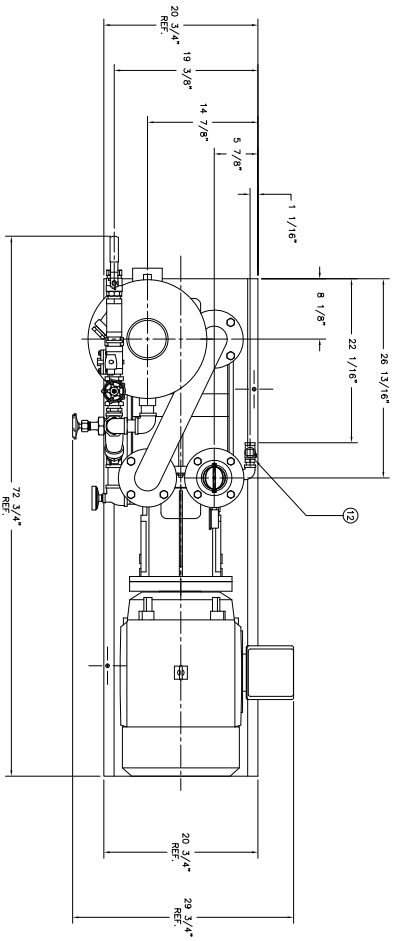
SCALE	MODEL NO.	DWG NO.	REV
1 = 8	TRM425H-1FR-SS	0706041-D	B

THIS PRINT IS PROPERTY OF TRAWANI PUMPS USA, INC. AND MAY NOT BE GIVEN TO ANY OTHER CONCERN WITHOUT THE CONSENT OF TRAWANI PUMPS USA, INC.

SC2HX6005M13XVA  
WATERSEAL FULL RECOVERY 40 HP  
SIMPLEX VACUUM SYSTEM

DECIMAL	FRACTIONAL	ANGULAR
± .0025"	± 1/32"	± 0' 30' 00"

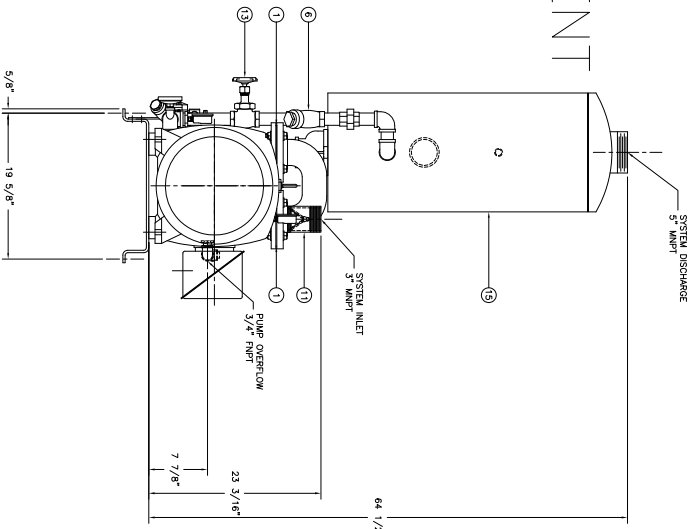
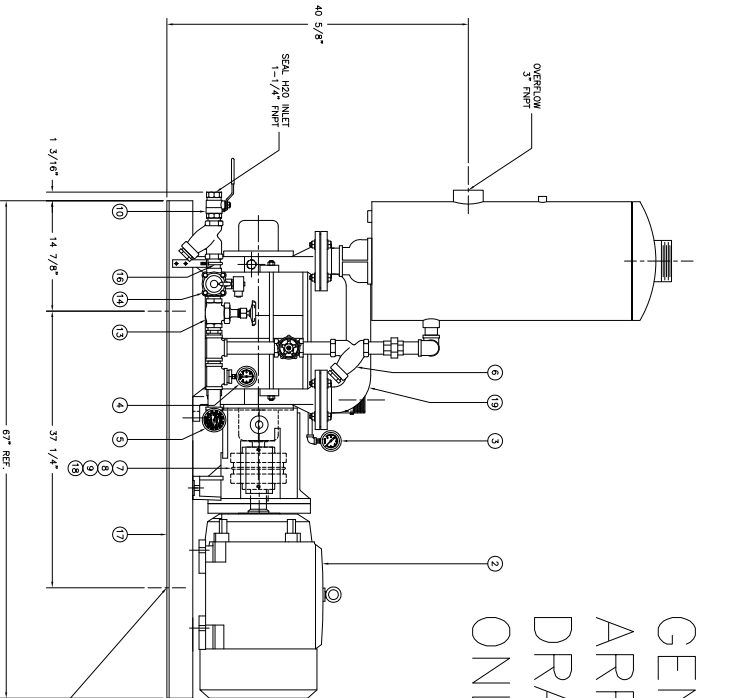
REVISIONS	DESCRIPTION	DATE	APPR
B	CHANGED SEPT TANK OVERFLOW FROM 3" TO 1" PER ECR#531	10/18/07	MW



NOTES:  
 1) LOCATE SYSTEM ON A SURFACE SUPPORT  
 2) HOLD ALL FINISHED PARTS WITH SOLDERED PIPE PUMPS

BILL OF MATERIALS		
ITEM	QTY	PART NUMBER
1	2	GASKET FLAT 6-5/8" OD X 4-1/8" ID
2	1	MOTOR 40 HP TFC 324TC
3	1	GAUGE VAC 0-30" HG BRASS
4	1	GAUGE COMP 30/0/15 BRASS
5	1	GAUGE TEMP 20/240-10/110
6	2	STRAINER "V" 1.25" THD CI
7	1	DRIVE CHG 105 2.125" CI
8	1	DRIVE CHG 105 42 MM CI
9	1	PLG ELEMENT SIZE 10-IES
10	1	VALVE BALL 1.25" THD FP BRSS
11	1	VALVE BALL HNG 3" THD SS/VIT
12	1	VALVE CHK SWG .75" THD BRSS
13	2	VALVE GLOBE 1.25" THD BRZ
14	1	VALVE SOL 1.25" VA NC BRASS
15	1	SEPARATOR NRP/PR
16	1	BRACKET U-BOLT 1-1/4"
17	1	BASEPLATE
18	1	M-BLOCK ASSY TRHC90 326T
19	1	VACUUM PUMP

# GENERAL ARRANGEMENT DRAWING ONLY



THIS PRINT IS PROPERTY OF TRAWANI PUMPS USA, INC. AND MAY NOT BE GIVEN TO ANY OTHER CONCERN WITHOUT THE CONSENT OF TRAWANI PUMPS USA, INC.

**TOLERANCES**

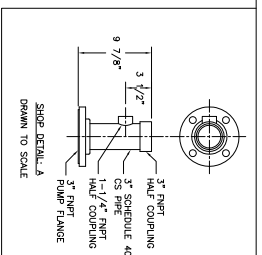
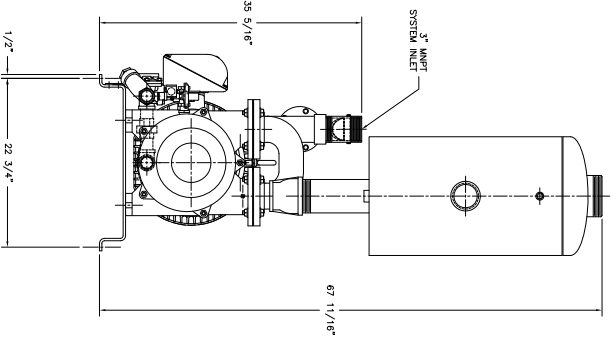
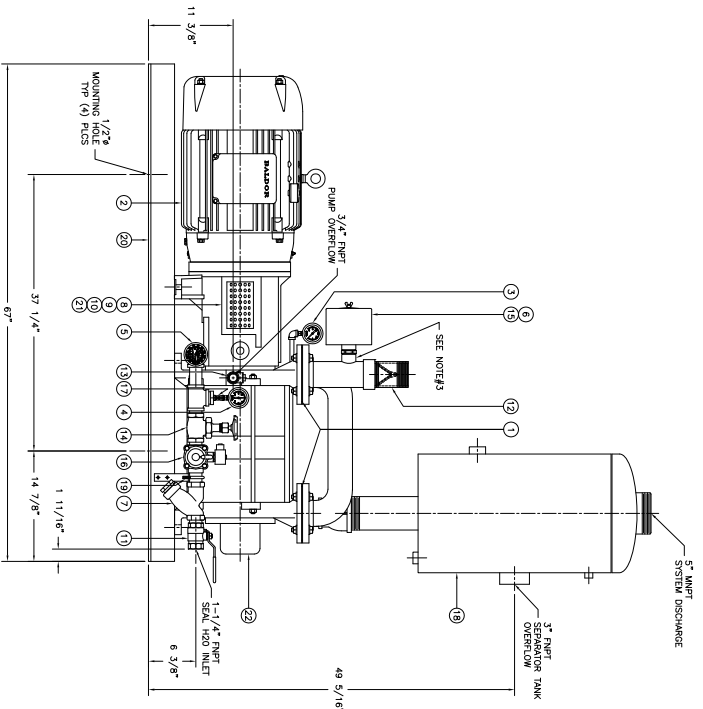
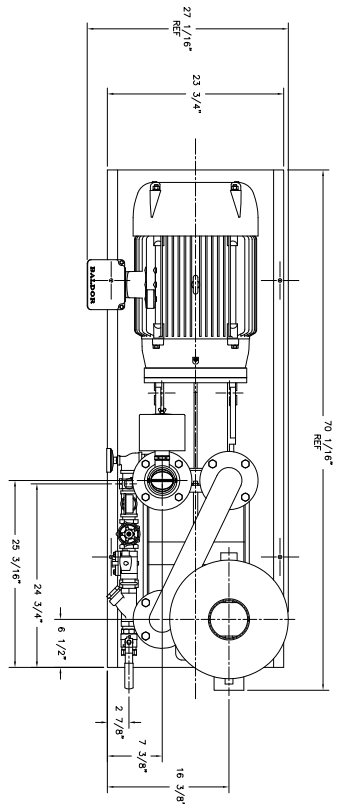
DECIMAL	± .0025"
FRACTIONAL	± 1/2"
ANGULAR	± 0' 30" 00"
UNLESS OTHERWISE SPECIFIED IN DRAWING	

PART NO. SBHXH6007M13XXY  
 DIMS BR: CMK BR: DATE 4/12/08  
 SS APPROVED BR: SCALE: 1 = 8

DESCRIPTION: WATERSEALED PARTIAL RECOVERY VACUUM SYSTEM  
 MODEL NO. TRW425H-1PR DIMS NO. XXX REV. —

**TRAWANI PUMPS USA**  
 Liquid Ring & Slurry Vane Vacuum Pumping and Systems

REV	DESCRIPTION	DATE	APPR
	REVISIONS		



SYSTEM NOTES:  
 1) LOCATE AND SECURE VACUUM SYSTEM ON A FLAT, LEVEL SURFACE.  
 2) PLUG ALL UNUSED PORTS WITH SQUARE HEAD NPT PIPE PLUGS.  
 3) FAD TO SHIP INLET PIPING ASSEMBLY, SEE DETAIL A.

**BILL OF MATERIALS**

ITEM	QTY	DESCRIPTION	PART NUMBER
1	2	GASKET FLAT 5.2" OD X 3.1/2" ID CARBON	176-5235-0000
2	1	MOTOR 40 HP TFC 324TC 4P 230/460V FOOTLESS	231-0400-C000
3	1	GAUGE VACUUM 0-30" HG/V BRG 1/4" MNPT	400-0025-F000
4	1	GAUGE COMPOUND 30"HG/0/15PSI BRG 1/4" MNPT	401-0025-F000
5	1	GAUGE TEMP 20/240F - 10/110C 1/2" MNPT US	410-0050-F001
6	1	FILTER SILENCER 60SCFM 1-1/4" MNPT POLY ELUMN	602-0125-A001
7	1	STRAINER "C" 1-1/4" FNPT CI	660-0125-C000
8	1	DRIVE COUPLING 95 2-1/8" CI	702-0900-B213
9	1	PRIVE COUPLING 95 42 MM CI	702-0901-B042
10	1	ELEMENT COUPLING SIZE 9-JE	752-0900-B001
11	1	VALVE BALL 1-1/4" FNPT PP BRG	802-0125-B000
12	1	VALVE CHECK HINGE 3" MNPT SS/VIT	820-0300-B002
13	1	VALVE CHECK SWING 3/4" FNPT BRASS	821-0075-F001
14	1	VALVE GLOBE 1-1/4" FNPT BRONZE	835-0125-A000
15	1	VALVE VACUUM RELIEF 1-1/4" MNPT SS/TEFL ANJ	852-0125-C000
16	1	VALVE SOLENOID 1-1/4" FNPT N4 NC 120V BRASS	855-0125-B000
17	1	VALVE PETCOCK 1/2" MNPT X 1/4" FNPT BRASS	890-0025-B000
18	1	SEPARATOR 1/8"PP 16" OD X 42" LONG CS	901-9601-0220
19	1	BRACKET, U-BOLT 1-1/4" CS	948-9704-0320
20	1	BASEPLATE, H2O 67" X 21" FORNED CS	950-9509-0110
21	1	MONO BLOCK ASSEMBLY TRSC100 324F	A4B-TR100-324F
22	1	VACUUM PUMP LIQUID RING 2 STAGE MECH SEALS	TRH260-600/F

**GENERAL  
 ARRANGEMENT  
 DRAWING ONLY**

THIS PRINT IS PROPERTY OF TRAWANI PUMPS USA, INC. AND MAY NOT BE GIVEN TO ANY OTHER CONCERN WITHOUT THE CONSENT OF TRAWANI PUMPS USA, INC.

**TOLERANCES**  
 DECIMAL .0025"  
 FRACTIONAL 1/32"  
 ANGLE 1/2°  
 UNLESS OTHERWISE SPECIFIED IN DRAWING

REVISIONS

REV	DESCRIPTION	DATE	APP
1	8		

Part No. SAKHX6002M13XXA  
 DATE 12/17/07  
 MODEL NO. TRW425H-1NR  
 DWG NO. 0712171-D

**TRAWANI PUMPS USA**  
 Liquid Ring & Steam Heated Vacuum Pumping and Systems