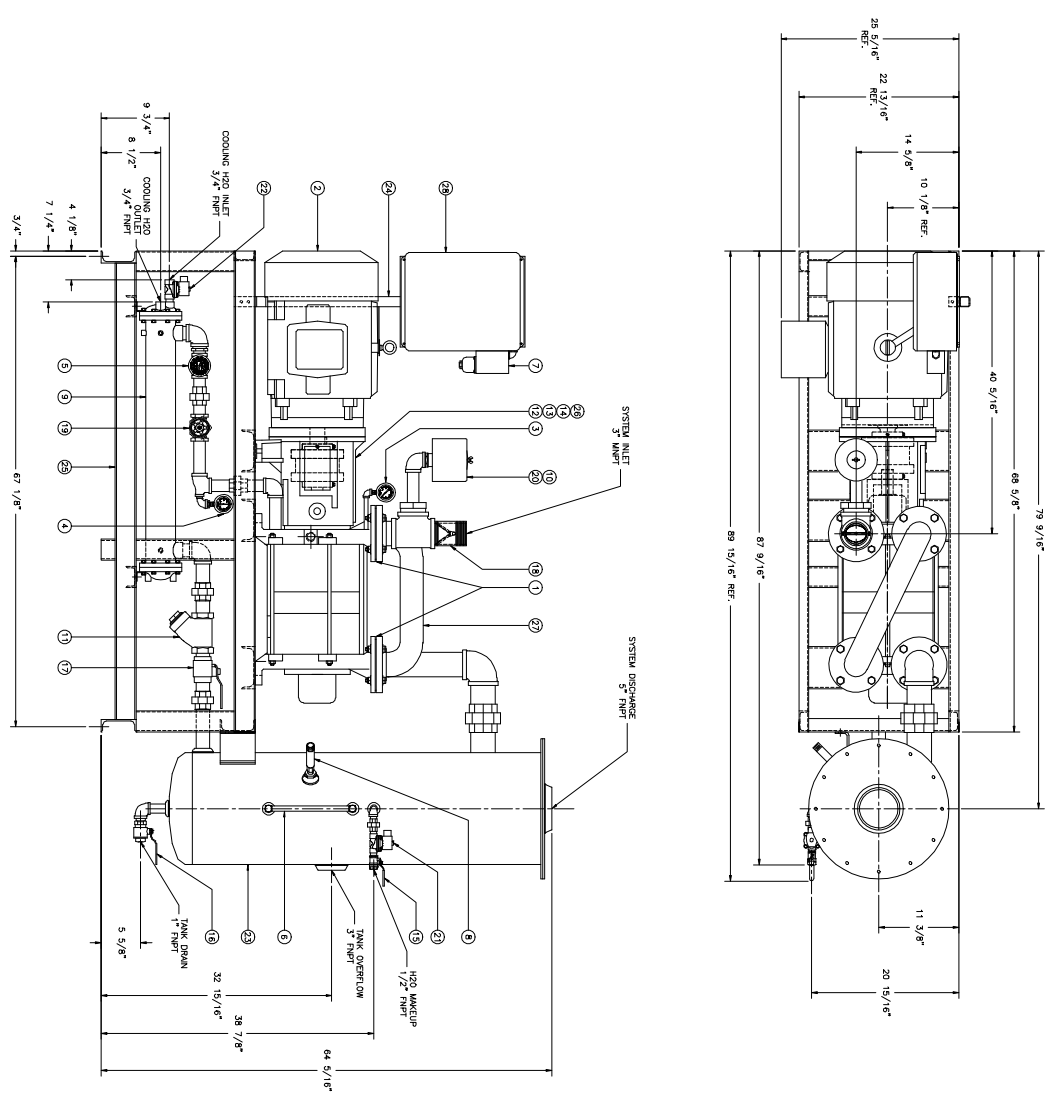


# GENERAL ARRANGEMENT DRAWING



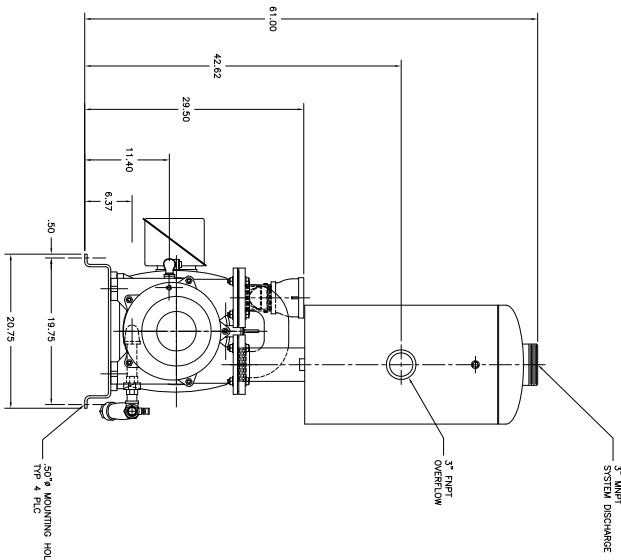
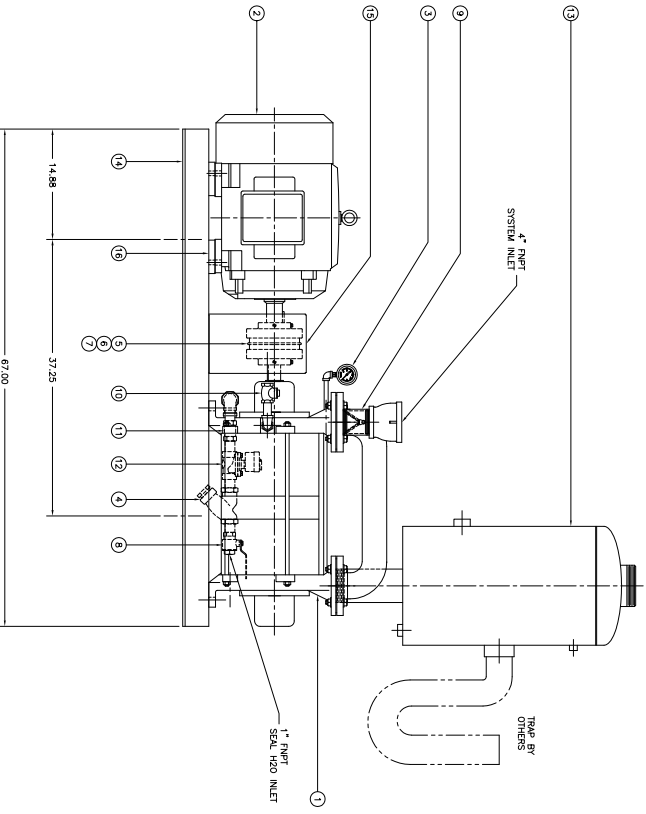
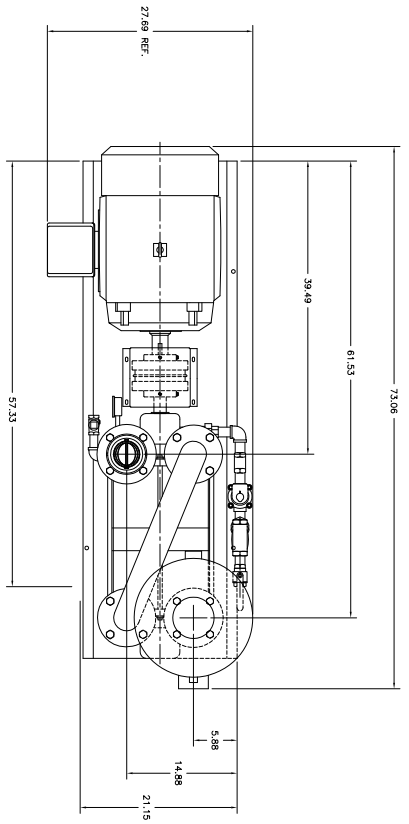
- NOTES:
- 1) LOCATE VACUUM SYSTEM ON A FLAT.
  - 2) MOTOR SURFACE WITH SQUARE HEAD.
  - 3) 1/2" PIPES FLANGES.
  - 4) 1/2" PIPES FLANGES (ITEM #11) 30° FROM VERTICAL.
  - 5) 6" CLEARANCE REQUIRED TO SERVICE ITEM #10.

ITEM	QTY	DESCRIPTION
1	2	GASKET FLAT 5-1/4" OD X 3-1/2" ID
2	1	MOTOR 50 HP 4P TEFC 324FC FOOTLESS
3	1	VALVE VACUUM 0-30 HGV BRASS
4	1	VALVE COUPLING 30/0/15 BRASS
5	1	VALVE TEMP 20/240/F--10/110°C
6	1	VALVE LEVEL 12" 1/2" NPT
7	1	SWITCH VACUUM NI NC/NO
8	1	SWITCH LEVEL 1" X 3/16 BRASS/SST
9	1	HEAT EXCHANGER OILXER 4P 65/CPV/CI
10	1	FILTER SILENCER 1-1/4" THD.
11	1	STRAINER V 1-1/2" THD CI
12	1	COUPLING DRIVE S5 2-1/8"
13	1	COUPLING DRIVE S5 42MM CI
14	1	ELEMENT COUPLING SIZE 9-1/2"
15	1	VALVE BALL 1/2" THD 316 SP BRASS
16	1	VALVE BALL 1" THD FP BRASS
17	1	VALVE BALL 1-1/2" THD 316 FP BRASS
18	1	VALVE CHECK HINGE 3" THD SS/ATON
19	1	VALVE GLOBE 1-1/4" THD BRZ
20	1	VALVE VACUUM REL 1-1/4" 316 SST
21	1	VALVE SOLENOID 1/2" N4 NC BRASS
22	1	VALVE SOLENOID 3/4" N4 NC BRASS
23	1	SEPARATOR FR 3" IN 1/2" OUT CS
24	1	BRACKET CONTROL PANEL
25	1	BRACKET H2O FR TRW425H-1FR
26	1	M-BLOCK ASSY INSTRUCTION 524T
27	1	VACUUM PUMP LR 1 STAGE MECH SEAL CONTROL PANEL 40HP 460V 18"X14"X8 ENCL-ED
28	1	

<p>THIS PRINT IS PROPERTY OF TRAVANI PUMPS USA, INC. AND MAY NOT BE LOANED TO ANY OTHER COMPANY WITHOUT THE CONSENT OF TRAVANI PUMPS USA, INC.</p> <p><b>TOLERANCES</b></p> <p>DECIMAL ± .0005"          FRACTIONAL ± 1/32"          ANGULAR ± 0.50 0°</p> <p>UNLESS OTHERWISE SPECIFIED IN DRAWING</p>		<p>DATE: 9/13/05</p> <p>SCALE: 1 = 8</p>
<p>APPROVED BY: _____</p>	<p>DATE: _____</p>	<p>APPR: _____</p>
<p>DESCRIPTION: WATERSEALED FULL RECOVERY 50 HP SIMPLEX VACUUM SYSTEM</p>	<p>MODEL NO: TRW425H-1FR</p>	<p>DWG NO: N/A</p>



REV	DESCRIPTION	DATE	APPR
REVISIONS			



# GENERAL ARRANGEMENT DRAWING ONLY

- NOTES:
- 1) LOCATE SYSTEM ON A SURFACE SUPPORT
  - 2) WELD FIELDS PERMITTED WITH SOLWATERGARD PREP PUMPS
  - 3) WELD FIELDS #16 TO BASEPLATE AFTER POSITIONING

BILL OF MATERIALS			
ITEM	QTY	DESCRIPTION	PART NUMBER
1	1	VACUUM PUMP LR 2 STD MECH SEAL	TRW500-750/AS
2	1	MOTOR 50 HP 4P TEFC 3/4"	230-0500-C000
3	1	GALVE VAC 0-30" HGV BRASS	400-0025-F000
4	1	STRAINER "C" 1" THD CI	660-0100-A001
5	1	DRIVE CHRG 10S 2.125" CI	702-1000-8212
6	1	DRIVE CHRG 10S 42 MM CI	702-1001-B042
7	1	CHRG ELEMENT SIZE 10-LES	752-1000-B000
8	1	VALVE BALL 1" THD FP BRSS	802-0100-B000
9	1	VALVE CHK HNG 3" FLG. BR SS/FS	820-0300-A001
10	1	VALVE CHK SWG .75" THD BRSS	821-0075-F000
11	1	VALVE FLOW CONTROL 12.0 GPM	880-0100-A120
12	1	VALVE SOL 1" N7 NC BRASS	855-0100-B001
13	1	SEPARATOR NR/PR 16" OD X 42"	901-9601-0220
14	1	BASEPLATE H20 18" X 67"	950-9811-1710
15	1	COUPLING GUARD 25HP CS	930-9811-0520
16	4	RISEF BLOCK .75X3.5X4.5" CS	945-9307-2010

REV	DESCRIPTION	DATE	APP
A	CHANGED MOTOR TO 230-0500-C000	12/11/98	PAB

TOLERANCES	
DECIMAL	± .0025"
FRACTIONAL	± 1/32"
ANGULAR	± 0' 30" 00"

DESCRIPTION	MODEL NO.	DWG NO.
WATERSEALED NO RECOVERY VACUUM SYSTEM	TRW500H-1NR	9811716-D

THIS PRINT IS PROPERTY OF TRAWANI PUMPS USA, INC. AND MAY NOT BE GIVEN TO ANY OTHER CONCERN WITHOUT THE CONSENT OF TRAWANI PUMPS USA, INC.

**TRAWANI PUMPS USA**  
Liquid Ring & Slurry Vane Vacuum Pumping and Systems