

GENERAL ARRANGEMENT DRAWING ONLY

- SYSTEM NOTES:
- 1) LOCATE AND SECURE SYSTEM ON A FLAT, LEVEL SURFACE.
 - 2) PUMP MUST BE OPERATED WITH SQUARE HEAD.
 - 3) NET FLOW PLUS
 - 4) NET FLOW PLUS
 - 5) (PROCESS SIZED) TO BE STAINLESS STEEL.
 - 6) BUNA, NBR, OR EQUIVALENT SUBSTITUTION, CONVERSION.
 - 7) CUSTOMER TO SUPPLY SEPT OR LOWER COOLING WATER.

REV	DESCRIPTION	DATE	APP
REVISIONS			

THIS PRINT IS PROPERTY OF TRAWANI PUMPS USA, INC. AND MAY NOT BE GIVEN TO ANY OTHER CONCERN WITHOUT THE CONSENT OF TRAWANI PUMPS USA, INC.

TOLERANCES

DECIMAL 3. 0025"
 FRACTIONAL 3/16"
 ANGULAR 3/8° 30' 00"
 UNLESS OTHERWISE SPECIFIED IN DRAWING

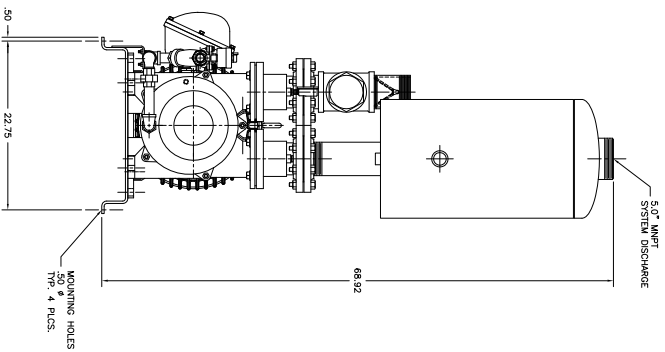
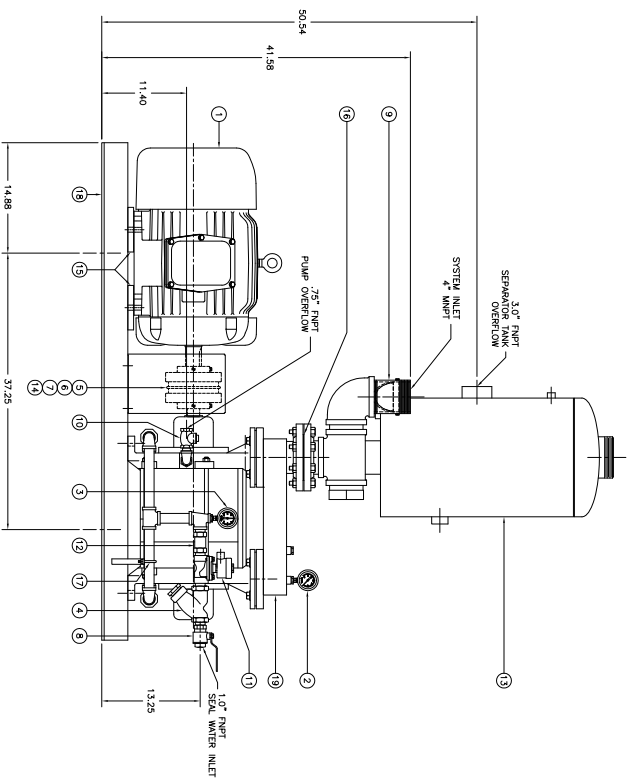
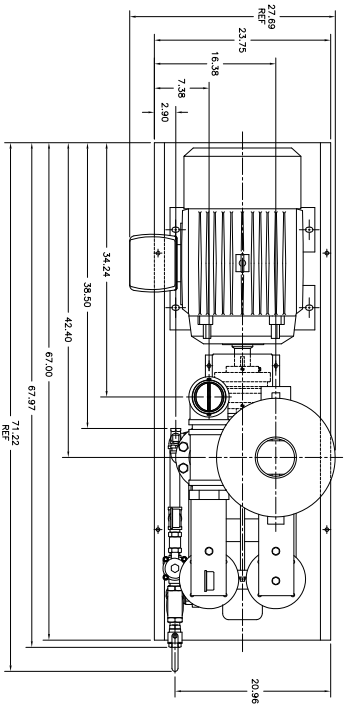
SCALE: 1 = 8

TRAWANI PUMPS USA
 (Solid Ring & Heavy Non-Vacuum Pumping and Systems)

DESCRIPTION: WATERSEALED FULL RECOVERY 40 HP SIMPLEX VACUUM SYSTEM STAINLESS STEEL

MODEL NO. TRAW5003-1FR-SS DWG NO. 0807011-0

ITEM	QTY	DESCRIPTION	PART NUMBER
1	1	FLANGE, 4" 150# FR THD, 316 SST	161-0400-7023
2	1	FLANGE, 4" 150# FR SLIP-ON 316 SST	162-0400-7023
3	2	GASKET FLAT 6-3/16" OD X 4-9/16" ID	176-6246-0000
4	1	MOTOR 40 HP 4P 324TC FPM	280-0400-C003
5	1	Gauge Vacuum 0-30 HCV 316 SST	400-0025-B002
6	1	Gauge Compound 30/0/15 316 SST	401-0025-B002
7	1	Gauge Temp 20/24/0/-10/110C	410-0050-F001
8	1	Gauge Level 10" LG 1/2" NPT 316 SST/BUNA	420-0050-F012
9	1	SWITCH LEVEL, 1" XP 303 SST	445-0100-A001
10	1	HEAT EXCHANGER 04A24 2P 316 SST/CI	524-0424-A006
11	1	FILTER SILENCER 1-1/4" THD.	602-0125-A001
12	1	STRAINER Y 1/2" THD 316 SST	660-0050-C001
13	1	STRAINER Y 1-1/2" THD 316 SST	660-0150-C001
14	1	COUPLING DRIVE 95 2-1/8"	702-0800-6213
15	1	COUPLING DRIVE 95 42MM CI	702-0801-B042
16	1	VALVE BALL 1/2" THD SP 316 SST	752-0800-B001
17	1	VALVE BALL 1-1/2" THD SP 316 SST	801-0050-B004
18	1	VALVE BALL 1-1/2" THD SP 316 SST	801-0150-B004
19	1	VALVE BALL 1" THD FP 316 SST	802-0100-C000
20	1	VALVE CHECK HINGE 4" THD SS/BUNA	820-0400-B001
21	1	VALVE GLOBE 1-1/4" THD SST/TF	835-0125-A001
22	1	VALVE VACUUM REL 1-1/4" 316 SST	852-0125-C000
23	1	VALVE SOLENOID 1/2" NC NC 304 SST	855-0050-B005
24	1	SEPARATOR FR 4" IN / 5" OUT 304 SST	903-0807-0120
25	2	BRACKET U BOLT 1-1/4" PIPE	948-9704-0320
26	1	BASEPLATE H2O FR TRAW5003-1FR	950-0701-0810
27	1	M-BLOCK ASSY TR5C100 324T	AM6-TR100-324T
28	1	VACUUM PUMP LR 1 SHADE MESH 594	TR5C100-00079A
29	1	ELBOW 90° 1/4" THD, 316 SST	111-0025-0223
30	1	ELBOW 90° 1/2" THD, 316 SST	111-0050-0223
31	1	ELBOW 90° 1" THD, 316 SST	111-0100-0223
32	6	ELBOW 90° 1-1/4" THD, 316 SST (2 NOT SHOWN)	111-0125-0223
33	1	ELBOW 90° 1-1/2" THD, 316 SST	111-0150-0223
34	1	ELBOW 4" LG RAD, 90° BUTTWELD 316 SST	111-0400-7023
35	1	ELBOW 90° STREET 1-1/4" THD, 316 SST	113-0125-0223
36	1	TEE, STRAIGHT 1-1/4" THD, 316 SST	121-0125-0223
37	1	TEE, STRAIGHT 4" THD, 316 SST	121-0400-0223
38	1	CROSS 1-1/4" THD, 304 SST	131-0125-0223
39	1	BUSHING, RED. 1-1/4" TO 1-1/4" THD, 316 SST	137-0702-0223
40	1	BUSHING, RED. 1-1/4" TO 1/2" THD, 316 SST	137-0704-0223
41	1	BUSHING, RED. 1-1/2" TO 1-1/4" THD, 316 SST	137-0807-0223
42	1	BUSHING, RED. 2" TO 1-1/4" THD, 316 SST	137-0807-0223
43	1	BUSHING, RED. 4" TO 2" THD, 316 SST	137-8610-0223
44	1	PLUG, SQUARE HEAD .25" THD, 316 SST	142-0025-0223
45	1	PLUG, SQUARE HEAD .75" THD, 316 SST	142-0075-0223
46	1	PLUG, SQUARE HEAD 1" THD, 316 SST	142-0100-0223
47	1	FITTING, 4" NPS X 4" LONG SCHD 40 316 SST	149-0400-0223
48	1	UNION, 1/2" THD, 316 SST	155-0050-0223
49	3	UNION, 1-1/4" THD, 316 SST	155-0125-0223
50	2	UNION, 1-1/2" THD, 316 SST	155-0150-0223



BILL OF MATERIALS		
ITEM	QTY	PART NUMBER
1	1	MOTOR 40HP 4P 32AT 230/460V
2	1	GAUGE VACUUM 0-30"HgV BRASS
3	1	GAUGE COMPOUND 30.0/15 PSIG BRASS
4	1	STRAINER Y 1.0" THD CI
5	1	DRIVE COUPLING 10S 2.125" CI
6	1	DRIVE COUPLING 10S 42MM CI
7	1	COUPLING ELEMENT SIZE 10-IES
8	1	VALVE BALL 1.0" THD FP BRASS
9	1	VALVE CHECK HINGE 4.0" THD SST/316L
10	1	VALVE CHECK SWING .75" THD BRASS
11	1	VALVE SOLENOID 1.0" THD N7 NC BRASS 120V
12	1	VALVE FLOW CONTROL 12.0 GPM 1.0" THD
13	1	SEPARATOR NR/PR 18.0" OD X 42.0" LG CS
14	1	COUPLING GUARD 2S & 4Q HP
15	2	RISE BLOCK TR02500
16	2	GASKET MANIFOLD 4.125" ID X .094" THK BLWA
17	1	BRACKET U BOLT 1.0" PIPE
18	1	BASEPLATE WATER SEAL 21" X 67" CS
19	1	VACUUM PUMP LIQUID RING 1 STAGE MECH SEPL TRSC100-700/F

SYSTEM NOTES:
 1) LOCKE VACUUM SYSTEM ON A FLAT LEVEL SURFACE.
 2) FLUID EMPTY PORTS WITH SQUARE HEAD NPT PIPE PLUGS.

GENERAL ARRANGEMENT DRAWING ONLY

THIS PRINT IS PROPERTY OF TRAWANI PUMPS USA, INC. AND MAY NOT BE GIVEN TO ANY OTHER CONCERN WITHOUT THE CONSENT OF TRAWANI PUMPS USA, INC.
 TOLERANCES
 DECIMAL ± .0025"
 FRACTIONAL ± 1/32"
 ANGLE ± 0° 30' 00"
 UNLESS OTHERWISE SPECIFIED IN DRAWING



REV	DESCRIPTION	DATE	APPR
REVISIONS			

PART NO.	N/A	DESCRIPTION	LIQUID RING WATERSEALD 40 HP NO RECOVERY XP VACUUM SYSTEM
DESIGN BR:	MM	DATE	1/16/02
APPROVED BR:	MM	SCALE:	1 = 8
DWG NO.	TRMS005-1NR-XP	DWG NO.	0201161-D
REV	1	REV	