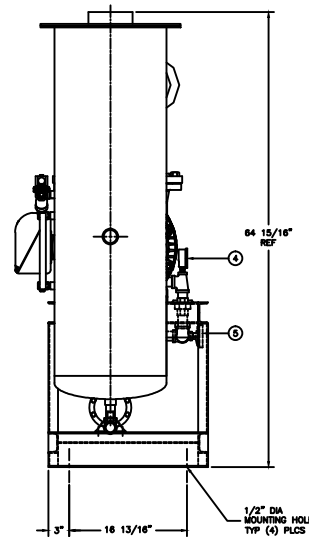
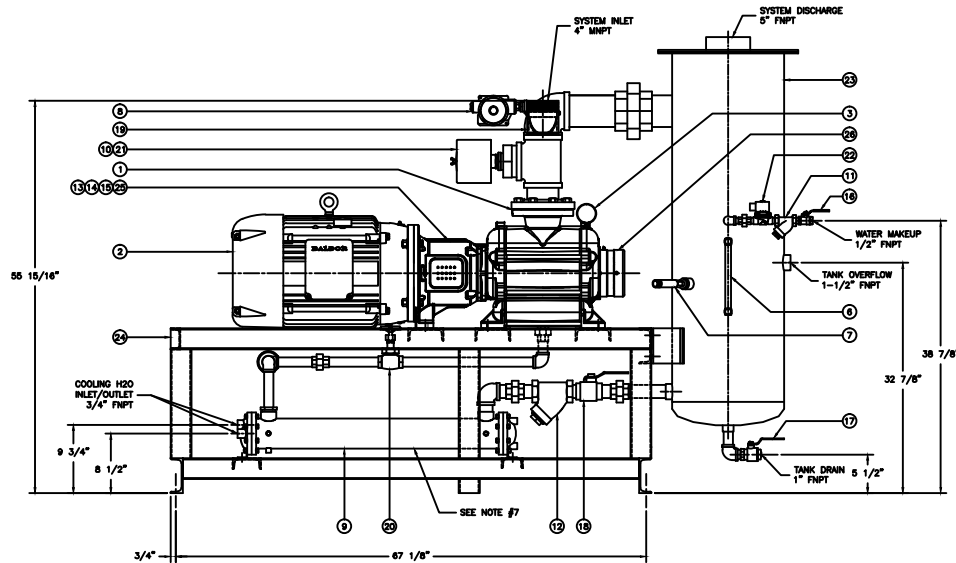


**SYSTEM NOTES:**

- 1.) LOCATE AND SECURE SYSTEM ON A FLAT, LEVEL SURFACE.
- 2.) PLUG EMPTY PORTS WITH SQUARE HEAD NPT PIPE PLUGS.
- 3.) 6" CLEARANCE REQUIRED TO SERVICE ELEMENT.
- 4.) GASKETS, SEALS AND SEATS WILL BE TEFLON, BUNA, VITON OR EQUIVALENT SUBSTITUTE.
- 5.) MOTOR SUPPLIED IS A STANDARD EFFICIENCY WITH TEFC ENCLOSURE.
- 6.) ALL SWITCHES SUPPLIED WILL BE NEMA-4 OR NEMA-7.
- 7.) CUSTOMER TO SUPPLY A MINIMUM OF 15 GPM OF 65°F CLEAN COOLING WATER.



BILL OF MATERIALS			
ITEM	QTY	DESCRIPTION	PART NUMBER
1	2	GASKET FLAT 6-3/16" OD X 4-9/16" ID	176-6246-0000
2	1	MOTOR 40HP 4P TEFC 324TC 230/480V FOOTLESS	231-0400-C000
3	1	GAUGE VACUUM 0-30"hgV 1/4" MNPT BR5	400-0025-F000
4	1	GAUGE COMPOUND 30/0/15 1/4" MNPT BR5	401-0025-F000
5	1	GAUGE TEMP 20/240°F--10/110°C	410-0050-F001
6	1	GAUGE LEVEL 10" LONG X 1/2"MNPT AL/BR5/VITON	420-0050-A004
7	2	SWITCH LEVEL 1" XP 303 SST / BR5	465-0100-A000
8	1	SWITCH TEMP ADJ 1/2"MNPT XP SS OPEN @ 115F	475-0050-E000
9	1	HEAT EXCHANGER 04X36 4P CS/CP/R/CI	524-0436-A005
10	1	FILTER SILENCER 1-1/4" THD.	602-0125-A001
11	1	STRAINER Y 1/2" FNPT 20 MESH SCREEN CI	660-0050-C000
12	1	STRAINER Y 1-1/2" FNPT 20 MESH SCREEN CI	660-0150-C000
13	1	COUPLING DRIVE 9S 2-1/8" CI	702-0900-B213
14	1	COUPLING DRIVE 9S 48MM CI	702-0901-B048
15	1	ELEMENT COUPLING SIZE 9-JE	752-0900-8001
16	1	VALVE BALL 1/2" FNPT SP BR5/PITFE	801-0050-8000
17	1	VALVE BALL 1" FNPT SP BR5/PITFE	802-0100-8000
18	1	VALVE BALL 1-1/2" FNPT FP BR5/PITFE	802-0150-8000
19	1	VALVE CHECK HINGE 4" MNPT SS/BUNA	820-0400-8001
20	1	VALVE GLOBE 1" FNPT BR5/PITFE	835-0100-A000
21	1	VALVE VACUUM REL 1-1/4" MNPT SS/PITFE	852-0125-C000
22	1	VALVE SOLENOID 1/2" FNPT N4 NC BR5/BUNA	855-0050-8000
23	1	SEPARATOR H2O FR 4" IN / 5" OUT CS	903-0909-2810
24	1	BASEPLATE H2O FR TRW600V-1FR CS	950-0909-2910
25	1	M-BLOCK ASSY TRSC100 324T	AMB-TR100-324T
26	1	VACUUM PUMP LR 1 STAGE MECH SEAL (VITON ELASTOMER)	TRX1007/1C/F

**GENERAL  
ARRANGEMENT  
DRAWING  
ONLY**

THIS PRINT IS PROPERTY OF TRAWANI PUMPS USA, INC. AND MAY NOT BE GIVEN TO ANY OTHER CONCERN WITHOUT THE CONSENT OF TRAWANI PUMPS USA, INC.

**TOLERANCES**

DECIMAL ± .0025"  
FRACTIONAL ± 1/2"  
ANGULAR ± 0' 30" 00"

UNLESS OTHERWISE SPECIFIED IN DRAWING

**TRAWANI PUMPS USA**  
Liquid Ring & Rotary Vane Vacuum Pump and System

1574 NO. VARIOUS

PART NO. SC2X10072M13XX2

DESCRIPTION: WATERSEALED FULL RECOVERY 40 HP SIMPLEX VACUUM SYSTEM

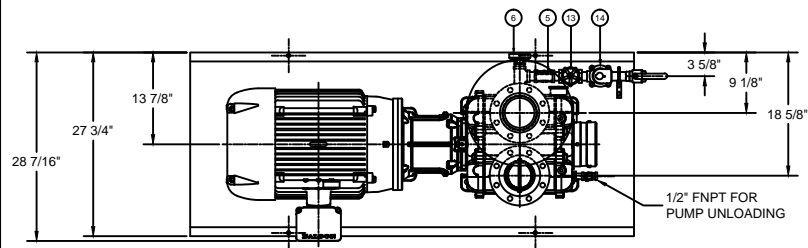
DWG BY: MW DATE: 09/17/09

CHK BY: MW

APPROVED BY: MW SCALE: 1 = 8

MODEL NO. TRW600V-1FR DWG NO. 0909172-D REV: --

REV	DESCRIPTION	DATE	APPR
REVISIONS			

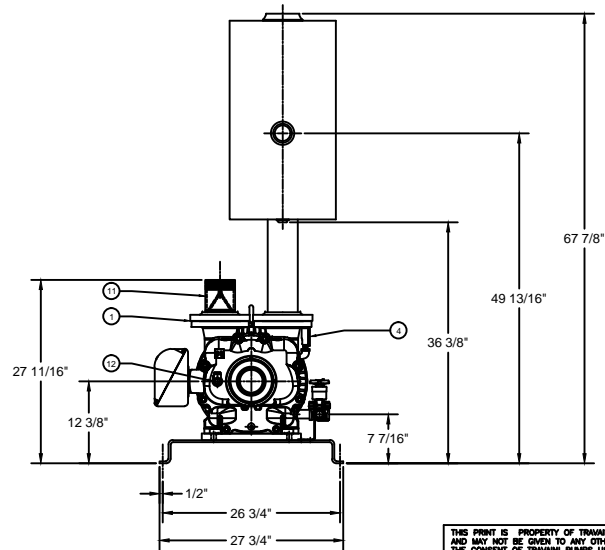
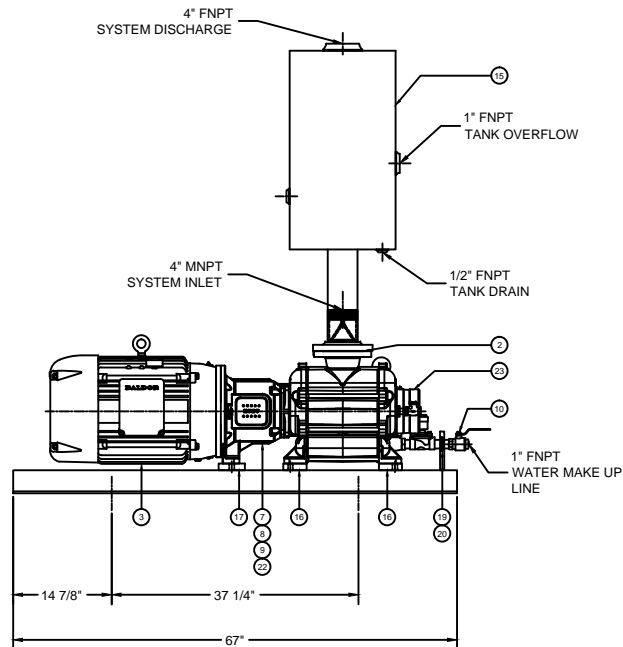


NOTES:

1. SYSTEM SHALL BE LOCATED AND SECURED ON A FLAT AND LEVEL SURFACE.
2. ALL UNUSED PORTS SHALL BE PLUGGED WITH SQUARE HEAD NPT PLUGS.

**GENERAL  
DRAWING  
ONLY**

BILL OF MATERIALS			
ITEM	QTY	DESCRIPTION	PART NUMBER
1	2	FLANGE, 4" RF THREAD 150# CS	161-0400-7011
2	4	GASKET, FLAT 6.19 OD X 4.57 ID GARLOCK	178-8246-0000
3	2	MOTOR, 40 HP 4P TEC 324TC FRAME	231-0400-C000
4	2	GAUGE, VAC. 0-30" HgV BRASS	400-0025-F000
5	2	GAUGE, COMP. 30/0/15 BRASS	401-0025-F000
6	2	GAUGE, TEMP. 20/240F-10/110C SST	410-0050-F001
7	2	COUPLING, DRIVE 9S 2.125 CI	702-0900-8213
8	2	COUPLING, DRIVEN 9S 48MM CI	702-0901-8048
9	2	ELEMENT, COUPLING SIZE 9-JE	752-0900-8001
10	2	VALVE, BALL 1" THD. FP BRASS	801-0100-8000
11	2	VALVE, CHECK HINGE 4" THD. CS/BRUNA	820-0400-8000
12	2	VALVE, CHECK SWING 1/2" THD. BRASS	821-0050-F000
13	2	VALVE, GLOBE 1" THD. BRONZE	835-0100-A000
14	2	VALVE, SOL.	855-0050-
15	2	TANK, SEP. 16" OD X 46" LENGTH CS	901-1308-2810
16	4	RISER BLOCK FOR TRVX1007 PUMP	945-0910-2810
17	2	RISER BLOCK FOR TRVX MONOBLOCK	945-1108-2810
18	1	CONTROL PANEL BRACKET (OPTIONAL)	XXX-XXXX-XXXX
19	2	U-BOLT 1" PIPE CS	948-9701-2750
20	2	SUPPORT BRACKET, CS	948-9711-2440
21	2	BASEPLATE, WATERSEALED 67" X 21" CS	950-1308-3010
22	2	ASSEMBLY, MONOBLOCK TRVX1007	AMB-1007-324T
23	2	VAC. PUMP LR 1 STAGE MECH SEAL	TRVX1007/1VC/F
24	1	CONTROL PANEL (OPTIONAL)	XXX-XXXX-XXXX




REV	DESCRIPTION	DATE	APPR
REVISIONS			

THIS PRINT IS PROPERTY OF TRAWANI PUMPS USA, INC. AND MAY NOT BE GIVEN TO ANY OTHER CONCERN WITHOUT THE CONSENT OF TRAWANI PUMPS USA, INC.

**TOLERANCES**

DECIMAL ± .0625"  
 FRACTIONAL ± 1/16"  
 ANGULAR ± 0° 30' 00"

UNLESS OTHERWISE SPECIFIED IN DRAWING

S/NR NO.		VARIOUS		
PART NO.		-		
DWG BY:	CHK BY:	DATE		DESCRIPTION TRW600V-2NR 40HP SIMPLEX NO RECOVERY WATER SEALED VACUUM SYSTEM
JAH	-	-		
APPROVED BY:	SCALE:	MODEL NO.	DWG NO.	REV
-	1 = B	TRW600V	-	-