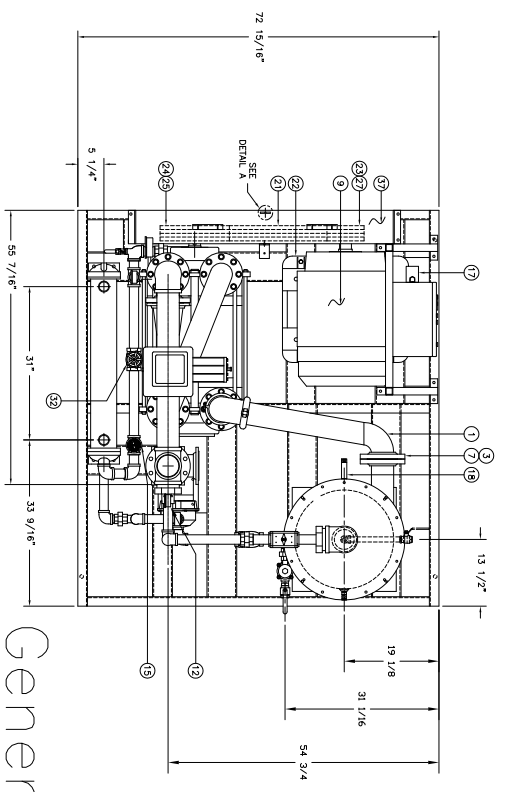
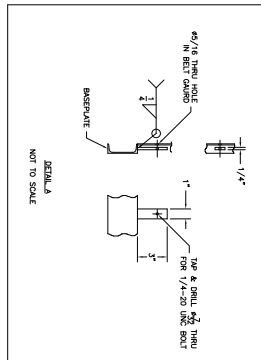
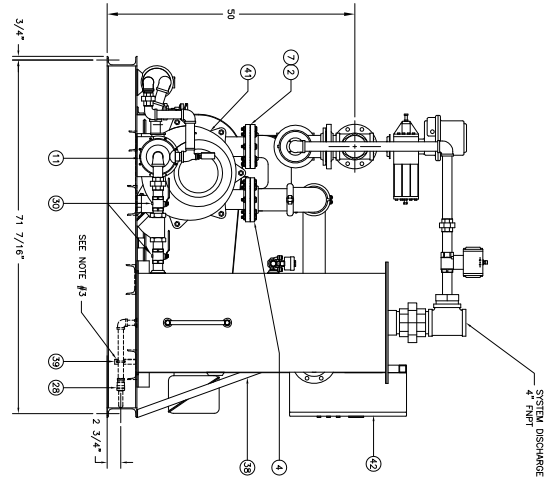
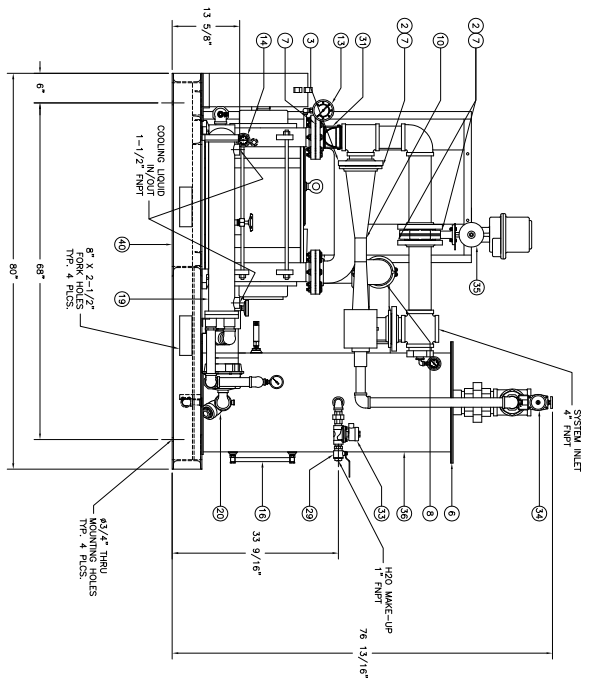


General Arrangement Drawing

For Informational Use Only



- SYSTEM NOTES:**
- 1) LOCATE VACUUM SYSTEM ON A FLAT LEVEL SURFACE.
 - 2) BRACKET SUPPORTS MUST BE WELDED TO A 1/4" TEE (NOT SHOWN).
 - 3) DRAIN PIPING TO BE BRACKET SUPPORTED.
 - 4) WELD TO SUIT. ALL DISCONNECTS TO 1/4" TEE (NOT SHOWN).
 - 5) STRAINER TO BE DISCONNECTED TO 1/4" TEE (NOT SHOWN) WHICH WILL HAVE FITTING 170-023-3003 (NOT SHOWN) ATTACHED.



BILL OF MATERIALS			
ITEM	QTY	DESCRIPTION	PART NUMBER
1	1	ELBOW, 4" SHORT RADIUS BUTT WELD CS	
2	4	FLANGE, 4" 150# RF THD. CS	
3	4	FLANGE, 4" 150# RF SLIP ON CS	
4	1	FLANGE MID NECK DIN 125 CS 4" NPS	
5	1	FITTING 1/4" MPT X 1/4" TUBE (NOT SHOWN, SEE NOTE #6)	
6	1	GASKET, FLAT 24-1/2" OD X 20" ID	
7	8	GASKET, FLAT 6-3/16" OD X 4-9/16" ID	
8	1	COUPLING, FLEX 90° ELBOW, 4"	
9	1	MOTOR 60HP 4P TECO 364T	
10	1	EJECTOR, AIR 4" FLANGE X 4" FLANGE CS	
11	1	PUMP, CENT 1 HP 2P 230/460V	
12	1	GAUGE, VACUUM 0-30 HGV BRASS 2 1/2" FACE DIA.	
13	1	GAUGE, VACUUM 0-30 HGV BRASS 2 1/2" FACE DIA.	
14	1	GAUGE, COMP ROUND 30.0/15 BRASS	
15	1	GAUGE, TEMP 20/240F--10/110C	
16	1	GAUGE, LEVEL, 12" 1/2" NPT	
17	1	SWITCH, VACUUM ASSY SHIP-X	
18	1	SWITCH, LEVEL, 1" XP BRASS	
19	1	HEAT EXCHANGER 05A36 2P C/CS/CU	
20	1	STRAINER, Y 1-1/2" THD. CI	
21	1	BELT, DRIVE 4/SW950 BND	
22	1	BASE, SLIDE 364T FRAME	
23	1	SHAFT, OD 4-GRV 8-1/2" OD	
24	1	SHAFT, OD 4-GRV 13.2" OD	
25	1	BUSHING, OD TYPE E @ 60MM	
26	1	BUSHING, OD TYPE E @ 2-3/8"	
27	1	VALVE, BALL 1/2" THD. FP BRSS	
28	1	VALVE, BALL 3/4" THD. FP BRSS	
29	1	VALVE, BALL 1" THD. FP BRSS	
30	2	VALVE, BALL 1-1/2" THD. FP BRSS	
31	1	VALVE, CHECK HINGE 4" NAMED SRRG SST/SST/BEOM	
32	1	VALVE, GATE 1 1/2" THD. BRZ	
33	1	VALVE, SOLENOID 1" THD. IN4 NC BRASS	
34	1	VALVE, ELEC. ACTUATED BALL 1-1/2" THD. FP	
35	1	VALVE, ELEC. ACTUATED LUG BUTTERFLY 4"	
36	1	SEPARATOR, FR CS	
37	1	GIARD, V-BELT	
38	1	BRACKET CONTROL PANEL	
39	1	BRACKET, U-BOLT 3/4" PIPE	
40	1	BASEPLATE TRW750H-1FR	
41	1	VACUUM PUMP LE 2 STAGE MECH SEALS	
42	1	CONTROL PANEL 60HP 460V 24X16X8 ENCL	

REV	DESCRIPTION	DATE	APPR
REVISIONS			

THIS PRINT IS PROPERTY OF TRAWANI PUMPS USA, INC. AND MAY NOT BE GIVEN TO ANY OTHER CONCERN WITHOUT THE CONSENT OF TRAWANI PUMPS USA, INC.

TOLERANCES

DECIMAL 3. 0.025"
 FRACTIONAL 3. 1/2"
 ANGLE 3. 0° 30' 00"
 UNLESS OTHERWISE SPECIFIED IN DRAWING

VARIOUS

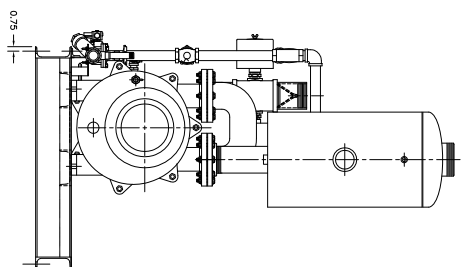
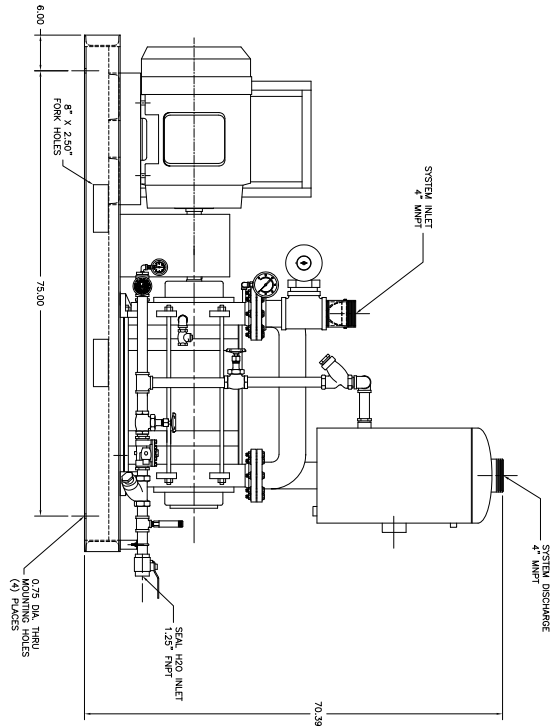
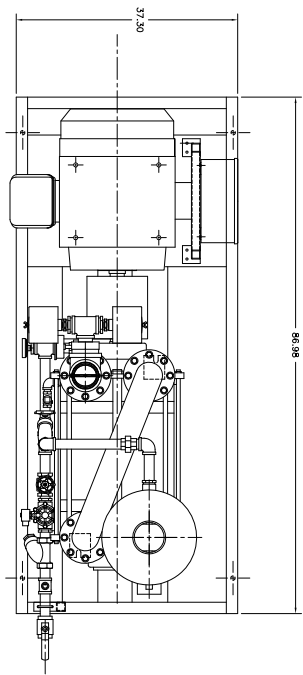
TRAWANI PUMPS USA
 Liquid Ring & Rotary Vane Vacuum Pumping and Systems

DESCRIPTION: WATERSEAL 60HP FULL RECOVERY VACUUM SYSTEM

MODEL NO. TRW750H-1FR

DWG NO. N/A

SCALE: 1 = 12



GENERAL ARRANGEMENT DRAWING ONLY

BILL OF MATERIALS		
ITEM	QTY	PART NUMBER
1	1	MOTOR 7.5 HP 4P TECO 365T 3/230/460V HI EFF 230-0750-4A01
2	2	MANIFOLD GASKET 4.13" O.D. X 6.31" O.D. X 0.09 THK BUNA 945-106160651
3	1	BASEFLATE WATERSEALED TRW7005-TRW950H 960-9905-2520
4	1	LIQUID RING VACUUM PUMP 2-STG MECH SEAL XXXXXXXX
5	1	Gauge VAC 0-30" HG 2.5" OAL BRASS 400-0025-1000
6	1	Gauge COMP 30/0/15 BRASS 401-0025-1000
7	1	VALVE TEMP 20/240 - 10/110 BRASS 410-0050-1001
8	1	SWITCH FLOW 1.25" KC/NO BRASS 460-0125-4000
9	2	FLTR SILENCER 60SCFM 602-0125-4001
10	2	SPRINGER 1.25" THD O 660-0125-4A01
11	1	VALVE BALL 1.25" THD FP BR/BRSS/PTE 802-0125-8000
12	1	VALVE CHECK HINGE 4" THD SST/BUNA 820-0400-8A01
13	1	VALVE CHECK SWING .75" THD BRASS 821-0075-1000
14	2	VALVE GLOBE 1.25" THD BRZ/SST/TF 835-0125-4A00
15	2	VALVE VAC RELIEF 1.25" SST 882-0125-0000
16	1	VALVE SOLENOID 1.5" HX NC BR/BRNA 855-0150-0000
17	1	SEPARATOR NY/HR 16" O.D. X 42" 4" INLET CS 901-9601-0220
18	1	BRACKET CONTROL PANEL TRW LARGE 948-9905-2530
19	1	CONTROL PANEL 75HP SILENEX 460V XXX-XXXX-XXXX

- SYSTEM NOTES:
- 1) LOCATE VACUUM SYSTEM ON A LEVEL SURFACE.
 - 2) LOCATE PUMP END OF WELDED PIPE FLUOUS.
 - 3) WELD PIPE SUPPORT TO BASEFLATE WHERE SHOWN.

THIS PRINT IS PROPERTY OF TRAWANI PUMPS USA, INC. AND MAY NOT BE GIVEN TO ANY OTHER CONCERN WITHOUT THE CONSENT OF TRAWANI PUMPS USA, INC.

TOLERANCES

DECIMAL ± .005
 FRACTIONAL ± 1/32"
 ANGULAR ± 0° 30' 00"
 UNLESS OTHERWISE SPECIFIED IN DRAWING

PART NO. N/A
 DWG BR: N/A
 DATE: 2/21/00
 DWG NO. 0002211-D

TRAWANI PUMPS USA
 Liquid Ring & Heavy Vapor Vacuum Pumping and Systems

DESCRIPTION: WATERSEALED 75HP PARTIAL RECOVERY VACUUM SYSTEM

MODEL NO. DWG NO. 0002211-D

REV DESCRIPTION DATE APPR REVISIONS